

Excellent Integrated System Limited

Stocking Distributor

Click to view price, real time Inventory, Delivery & Lifecycle Information:

[FCI](#)

[51752-029LF](#)

For any questions, you can email us directly:

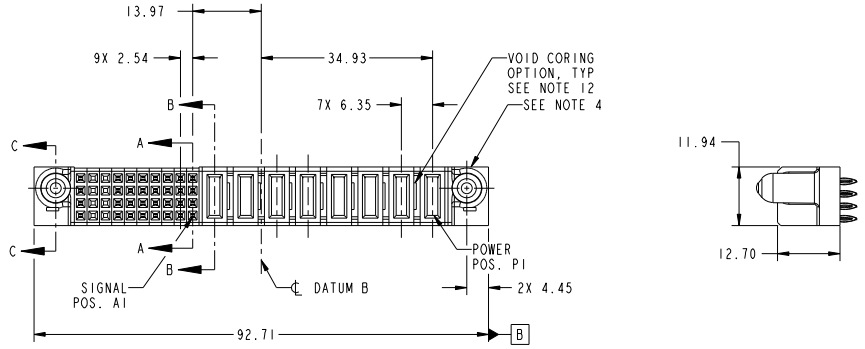
sales@integrated-circuit.com

Tous droits strictement réservés. Reproduction ou communication de des tiers interdite sous quelque forme que ce soit sans autorisation écrite du propriétaire. Propriété de EFCI. Droits de reproduction FCI.

All rights strictly reserved. Reproduction or issue to third parties in any form whatever is not permitted without written authority from the proprietor. Property of FCI. Copyright FCI.



PRODUCT NO.	ROWS	SIGNAL										POWER																						
		E2	9	8	7	6	5	4	3	2	1	P8	P7	P6	P5	P4	P3	P2	P1	E1														
51752-029-..	D C B A	X	X	X	X	X	X	X	X	X	X	X	X	X	X	X	X	X	X	X	PC	PC	PC	PC	PC	PC	PC	PC	PC	PC	PC	PC	PC	
NOTE: 3		X	X	X	X	X	X	X	X	X	X	X	X	X	X	X	X	X	X	X	X	PC	PC	PC	PC	PC	PC	PC	PC	PC	PC	PC	PC	PC



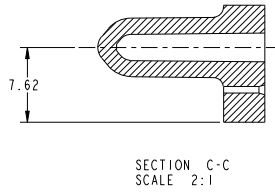
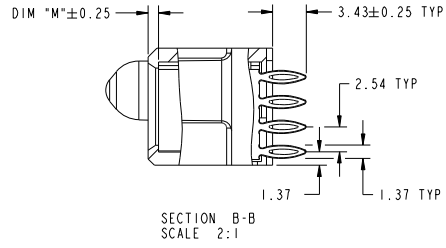
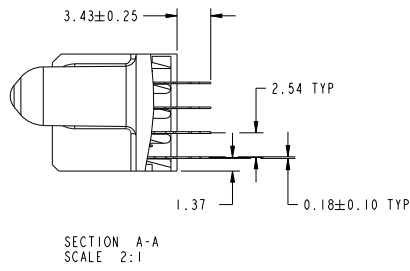
CODE	DIM "M" MATING LENGTH	CONTACT TYPE
PC	[1.07]	POWER
F	[N/A]	SIGNAL
X	OMITTED	OMITTED

mat'l code				SEE NOTES		tolerances unless otherwise specified		CUSTOMER	
ltr	ecm no.	dr	date			0.X	+0.5	COPY	www.fciconnect.com
A	DG09-0320	JC	21-Oct-09	linear		0.XX	+0.25	projection	title
				angles		0.XXX	+0.1		8P + 40S
				dr	Jerome Chen	0°	+2°		VERTICAL PRESS-FIT RECEPT
				enr	Jerome Chen			MM	product family
				chr	PM Zheeng			scale	PwrBlade
				oppd	Joseph Hsiao			1:1	code
sheet index	revision sheet	A	A	A	A	A	A		size
		1	2	3	4				dwg no
									51752-029
									213
									sheet
									1 of 4
									code
									22526

Tous droits strictement réservés. Reproduction ou communication à des tiers interdite sous quelque forme que ce soit sans autorisation écrite du propriétaire. Propriété de FCI. Droits de reproduction FCI.

All rights strictly reserved. Reproduction or issue to third parties in any form whatever is not permitted without written authority from the proprietor. Property of FCI. Copyright FCI.

PRODUCT NUMBER
51752-029-
NOTE: 3



mat'l code				tolerances unless otherwise specified		CUSTOMER		FCI	
ltr	ecm no.	dr	date	linear	0.X ±0.5	COPY	www.fciconnect.com		
A					0.XX ±0.25	projection	8P + 40S		
				angles	0.XXX ±0.1		VERTICAL PRESS-FIT RECEPT		
					0° ±2°	MM	product family	PwrBlade	code
		dr	Jerome Chen	05-0c1-09		scale	size	dwg no	213
		engr	Jerome Chen	05-0c1-09		1:1	A	51752-029	sheet
		chr	PM Zheeng	05-0c1-09					2 of 4
		oppd	Joseph Hsiao	05-0c1-09					
sheet index	revision sheet								

Pro/E

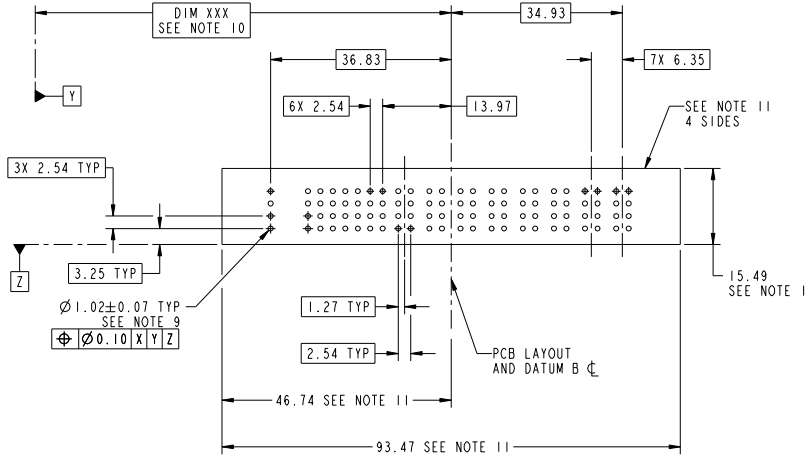
cage code 22526

Tous droits strictement réservés. Reproduction ou communication à des tiers interdite sous quelque forme que ce soit sans autorisation écrite du propriétaire. Propriété de FCI. Droits de reproduction FCI.

All rights strictly reserved. Reproduction or issue to third parties in any form whatever is not permitted without written authority from the proprietor. Property of FCI. Copyright FCI.



PRODUCT NUMBER
51752-029_
NOTE: 3



RECOMMENDED PCB LAYOUT

mat'l code				tolerances unless otherwise specified		CUSTOMER	
ltr	ecm no.	dr	date	linear	0.X ±0.5	COPY	www.fciconnect.com
A					0.XX ±0.25	projection	8P + 40S
				angles	0.XXX ±0.1		VERTICAL PRESS-FIT RECEPT
				dr	0° ±2°	MM	product family PwrBlade code
				enr	Jerome Chen 05-0c1-09	scale	size 213
				chr	Jerome Chen 05-0c1-09	1:1	dwg no 51752-029 sheet 3 of 4
				oppd	PM Zheeng 05-0c1-09		
					Joseph Hsiao 05-0c1-09		
sheet index	revision sheet						cage code 22526

Tous droits strictement réservés. Reproduction ou communication à des tiers interdite sous quelque forme que ce soit sans autorisation écrite du propriétaire. Propriété de FCI. Droits de reproduction FCI.

All rights strictly reserved. Reproduction or issue to third parties in any form whatever is not permitted without written authority from the proprietor. Property of FCI. Copyright FCI.

PRODUCT NUMBER
51752-029-
NOTE: 3

NOTES:

1. DIMENSIONS AND TOLERANCES ARE IN ACCORDANCE WITH ASME Y14.5M, 1994 UNLESS OTHERWISE SPECIFIED.

CONNECTOR NOTES:

② HOUSING MATERIAL: UL 94 V-0 GLASS FILLED HIGH-TEMP THERMOPLASTIC

POWER CONTACT MATERIAL: COPPER ALLOY
SIGNAL PIN MATERIAL: COPPER ALLOY

3. PLATING SPEC.

SEE ITEM 7 & 8 IN PRINT 10064183 FOR PLATING SPEC OF 51752-029 AND 51752-029LF RESPECTIVELY

④ MANUFACTURER'S NAME, DATE CODE AND OPTIONAL P/N TO APPEAR ON THIS SURFACE.

THE P/N CAN BE OMITTED IF THERE IS NOT ENOUGH SPACE ON THIS SURFACE.

5. PRODUCT SPECIFICATION GS-12-149.

APPLICATION SPECIFICATION BUS-20-067.

6. PACKAGED IN TRAYS.

PCB NOTES:

7. ALL HOLE DIAMETERS ARE FINISHED HOLE SIZE.

⑧ MOUNTING HOLES, WHERE APPLICABLE, ARE UNPLATED.

⑨ $\varnothing 1.151 \pm 0.025$ DRILLED HOLES PLATED WITH
0.008 MIN SnPb OR Sn OVER 0.03
TO 0.08 Cu PLATING TO ACHIEVE
 $\varnothing 1.02 \pm 0.07$ HOLE.

⑩ "DIM XXX" TO BE DETERMINED BY THE CUSTOMER.

⑪ CONNECTOR KEEP-OUT ZONE.

12. THE VOID CORING IN BETWEEN POWER MODULES, SIGNAL MODULES AND END MODULES ARE OPTIONAL AND THE SHAPE MAY BE DIFFERENT FOR OPTIMIZE THE MOLDING PROCESS. THE VOID CORING WILL NOT EFFECT TO PRODUCT FUNCTION.

mat'l code				tolerances unless otherwise specified		CUSTOMER		FCI	
ltr	ecm no.	dr	date	linear	0.X ± 0.5	COPY		www.fciconnect.com	
A					0.XX ± 0.25	projection	title		
				angles	0.XXX ± 0.1			8P + 40S	
				dr	0° ± 2°			VERTICAL PRESS-FIT RECEPT	
				engr	Jerome Chen 05-0c1-09	product family	PwrBlade	code	213
				chr	PM Zheeng 05-0c1-09	size	dwg no	sheet	4 of 4
				oppd	Joseph Hsiao 05-0c1-09	scale	51752-029		
sheet index	revision sheet					1:1	A		

cage code 22526