

Excellent Integrated System Limited

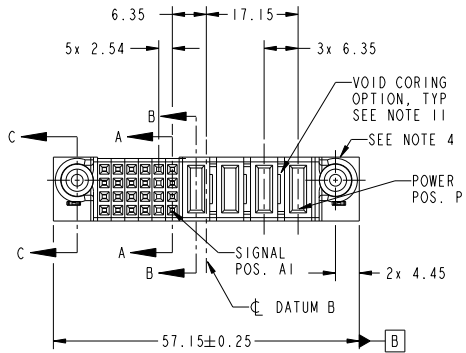
Stocking Distributor

Click to view price, real time Inventory, Delivery & Lifecycle Information:

[FCI](#)
[51752-037LF](#)

For any questions, you can email us directly:
sales@integrated-circuit.com

PRODUCT NO.	ROWS	SIGNAL					POWER				
		E2	5	4	3	2	P4	P3	P2	P1	E1
51752-037-- NOTE: 3	D	⊙	E	E	E	E	PA	PA	PA	PA	⊙
	C	⊙	E	E	E	E	PA	PA	PA	PA	⊙
	B	⊙	E	E	E	E	PA	PA	PA	PA	⊙
	A	⊙	E	E	E	E	PA	PA	PA	PA	⊙



CODE	DIM "M" MATING LENGTH	CONTACT TYPE
E	[N/A]	SIGNAL
PA	[1.07]	POWER
HA	[N/A]	HOLD-DOWN
X	[N/A]	OMITTED

spec ref	*	dr	Ruan MT	2014/1/24	projection	MM	size	A4	scale	1:1																	
tolerance std	TOLERANCES UNLESS OTHERWISE SPECIFIED	eng	De-Ming Lu	2014/12/17		PwrBlade	ec n no	-	rel level	Released																	
SEE NOTE		chr	-	-			product family	rel level	Released																		
surface	<table border="1"> <tr> <td>linear</td> <td>0.X</td> <td>±0.5</td> </tr> <tr> <td></td> <td>0.XX</td> <td>±0.25</td> </tr> <tr> <td></td> <td>0.XXX</td> <td>±0.1</td> </tr> <tr> <td>angular</td> <td>0°</td> <td>±2°</td> </tr> </table>	linear	0.X	±0.5		0.XX	±0.25		0.XXX	±0.1	angular	0°	±2°	appr	Pei-Ming Zheng	2014/12/17		<table border="1"> <tr> <td>part no</td> <td>4P + 24S</td> </tr> <tr> <td>description</td> <td>VERTICAL STB RECEPT</td> </tr> </table>	part no	4P + 24S	description	VERTICAL STB RECEPT	<table border="1"> <tr> <td>dwg no</td> <td>51752-037</td> </tr> <tr> <td>rev</td> <td>A</td> </tr> </table>	dwg no	51752-037	rev	A
linear	0.X	±0.5																									
	0.XX	±0.25																									
	0.XXX	±0.1																									
angular	0°	±2°																									
part no	4P + 24S																										
description	VERTICAL STB RECEPT																										
dwg no	51752-037																										
rev	A																										
www.fci.com		cat. no.		Product - Customer Drw		sheet 1 of 4																					

PwrBlade - REV C - 2009-06-09

1

2

3

PDS: Rev :A

STATUS:Released

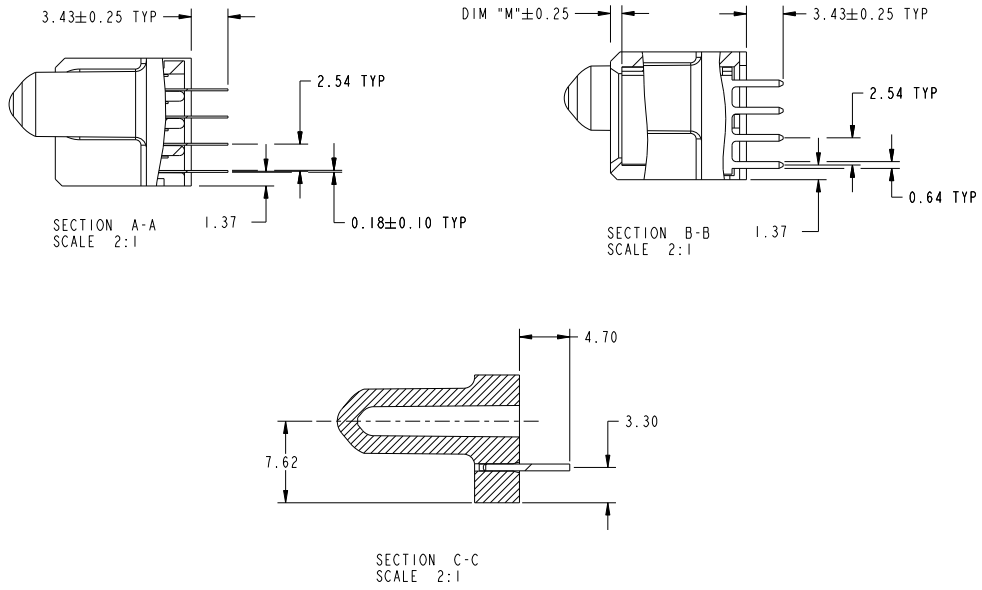
Printed: Dec 18, 2014



Copyright FCI.

PRODUCT NUMBER

51752-037--
NOTE: 3



dr	Ruan MT	2014/11/24	projection	MM	size	scale
eng	De-Ming Lu	2014/12/17			A4	1:1
chr	-	-			ecn no	-
appr	Pei-Ming Zheng	2014/12/17	product family	PwrBlade	rel level	Released
	title	4P + 24S		dwg no	51752-037	rev
www.fci.com		VERTICAL STB RECEPT				A
	cat. no.				Product - Customer Drw	sheet 2 of 4

PAGE FILE: ... REV C - 2009-06-09

PDS: Rev :A

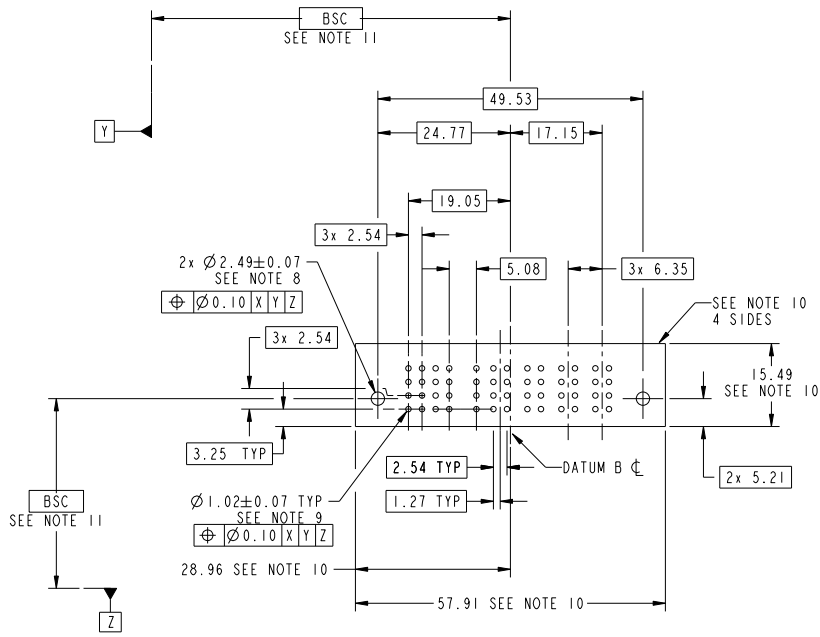
STATUS:Released

Printed: Dec 18, 2014



Copyright FCI.

PRODUCT NUMBER
51752-037-
NOTE: 3



RECOMMENDED PCB LAYOUT

dr	Ruan MT	2014/11/24	projection	MM	size	A4	scale	1:1
eng	De-Ming Lu	2014/12/17			ecn no	-	rel level	Released
chr	-	-	product family	PwrBlade	rev	A		
appr	Pei-Ming Zheng	2014/12/17			cat. no.	4P + 24S	Product - Customer Drw	sheet 3 of 4
		VERTICAL STB RECEPT		dwg no	51752-037			
www.fci.com								

Part File : REV C - 2014-06-09

1

2

3

PDS: Rev :A

STATUS:Released

Printed: Dec 18, 2014



Copyright FCI.

PRODUCT NUMBER		51752-037-- NOTE: 3	
NOTES:			
1. DIMENSIONS AND TOLERANCES ARE IN ACCORDANCE WITH ASME Y14.5M, 1994 UNLESS OTHERWISE SPECIFIED.			
CONNECTOR NOTES:			
② HOUSING MATERIAL: UL 94 V-0 GLASS FILLED HIGH-TEMP THERMOPLASTIC POWER CONTACT MATERIAL: COPPER ALLOY SIGNAL PIN MATERIAL: COPPER ALLOY			
3. SEE ITEM 5 & 6 IN PRINT 10064183 FOR PLATING SPEC OF 51752-037 AND 51752-037LF RESPECTIVELY.			
④ MANUFACTURER'S NAME, DATE CODE AND OPTIONAL P/N TO APPEAR ON THIS SURFACE. THE MARK CAN BE OMITTED IF THERE IS NOT ENOUGH SPACE ON THIS SURFACE.			
5. PRODUCT SPECIFICATION GS-12-149. APPLICATION SPECIFICATION BUS-20-067.			
6. PACKAGED IN TRAYS.			
PCB NOTES:			
7. ALL HOLE DIAMETERS ARE FINISHED HOLE SIZE.			
⑧ MOUNTING HOLES, WHERE APPLICABLE, ARE UNPLATED.			
⑨ $\varnothing 1.151 \pm 0.025$ DRILLED HOLES PLATED WITH 0.008 MIN SnPb OR Sn OVER 0.03 TO 0.08 Cu PLATING TO ACHIEVE $\varnothing 1.02 \pm 0.07$ HOLE.			
⑩ CONNECTOR KEEP-OUT ZONE.			
11. THE VOID CORING IN BETWEEN POWER MODULES, SIGNAL MODULES AND END MODULES ARE OPTIONAL AND THE SHAPE MAY BE DIFFERENT FOR OPTIMIZE THE MOLDING PROCESS. THE VOID CORING WILL NOT EFFECT TO PRODUCT FUNCTION.			
⑫ DATUM AND BASIC DIMENIONS ARE ESTABLISHED BY CUSTOMER.			
dr	Ruan MT	2014/11/24	projection
eng	De-Ming Lu	2014/12/17	
chr	-	-	
appr	Pei-Ming Zheng	2014/12/17	product family
		4P + 24S	PwrBlade
www.fci.com		cat. no.	rel level
title		VERTICAL STB RECEP	size
dwg no		51752-037	A4
rev		A	scale
Product - Customer Drw		sheet 4 of 4	1:1



Copyright FCI.