

Excellent Integrated System Limited

Stocking Distributor

Click to view price, real time Inventory, Delivery & Lifecycle Information:

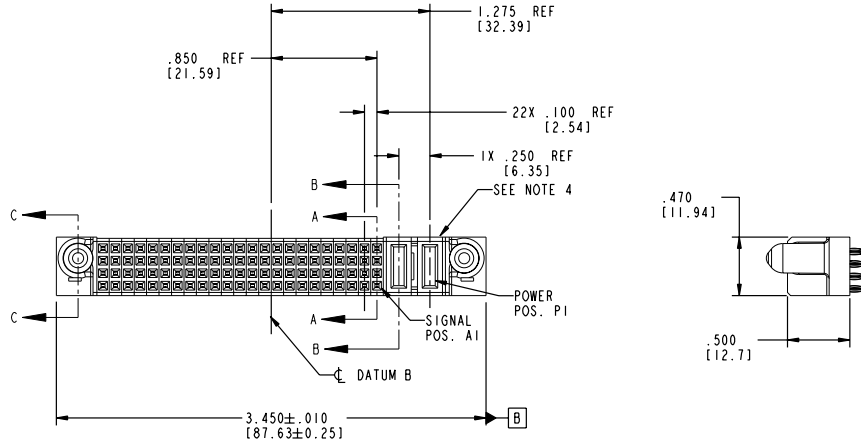
[FCI](#)
[51753-010LF](#)

For any questions, you can email us directly:
sales@integrated-circuit.com

Tous droits strictement réservés. Reproduction ou communication à des fins inférieures sans aucune forme que ce soit sans autorisation écrite du propriétaire. Propriété de c FCI. Droits de reproduction FCI.

All rights strictly reserved. Reproduction or issue in any form whatever is not permitted without written authority from the proprietor. Property of FCI. Copyright FCI.

PRODUCT NO.	ROWS	SIGNAL																				POWER			
		E2	22	21	20	19	18	17	16	15	14	13	12	11	10	9	8	7	6	5	4	3	2	1	P2
51752-010-- Note: ③	D C A	PC																				PC	PF	PC	
		PF																				PC	PF	PC	
		PC																				PC	PF	PC	



CODE	DIM "M" MATING LENGTH	CONTACT TYPE
PC	.042 [1.07]	POWER
F	N/A [N/A]	SIGNAL
PF	.092 [2.34]	POWER

mat'l code		SEE NOTE 2		tolerances unless otherwise specified		CUSTOMER		FCI	
ltr	ecm no.	dr	date	linear	XX±.01/0.XX±0.3	COPY		www.fciconnect.com	
A	V03-0855	MEM	8/5/03		XXX±.005/0.XX±0.13	projection	title 2P + 92S		
B	DG05-0182	SJ	06/22/05	angles	XXXX±.0020/0.XX±0.051	INCH/MM	VERTICAL PRESS FIT RECEIPT		
				dr	W. MOSTOLLER 8/5/03	size	product family	PwrBlade	code 213
				engr	H. BREWBAKER 8/5/03	scale	size	dwg no	sheet 1 of 4
				chr	W. MOSTOLLER 8/5/03	1:1	A	51752-010	
				oppd	W. MOSTOLLER 8/5/03				
sheet index	revision	B	B	B	B				
	sheet	1	2	3	4				

code code 22526

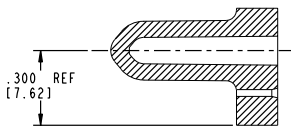
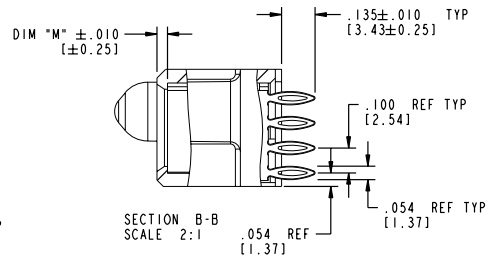
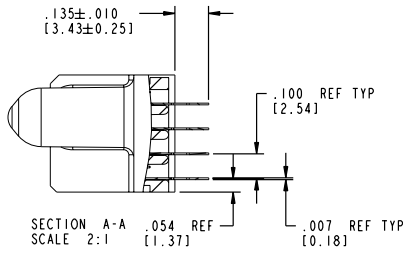
PDM: Rev:B STATUS:Released

Printed: Dec 20, 2010

Tous droits strictement réservés. Reproduction ou communication à des fins inférieures sans aucune forme que ce soit sans autorisation écrite du propriétaire. Propriété de c FCI. Droits de reproduction FCI.

All rights strictly reserved. Reproduction or issue in any form whatever is not permitted without written authority from the proprietor. Property of FCI. Copyright FCI.

PRODUCT NUMBER
51752-010..
Note: ③



SECTION C-C
SCALE 2:1

mat'l code		SEE NOTE 2	tolerances unless otherwise specified	CUSTOMER	FCI www.fciconnect.com	
ltr	ecm no.	dr	date	linear	projection	title
B				III ± .01/0 III ± 0.3	1	2P + 92S
				III ± .005/0 III ± 0.13	2	VERTICAL PRESS FIT RECEPT
				III ± .0020/0 III ± 0.051	3	product family PwrBlade
				angles	4	code 213
				dr	5	size
				engr	6	dwg no
				chr	7	51752-010
				appd	8	sheet
					9	2 of 4
sheet index	revision sheet			INCH/MM	scale	code code
				1:1		22526

Pro/E

PDM: Rev:B

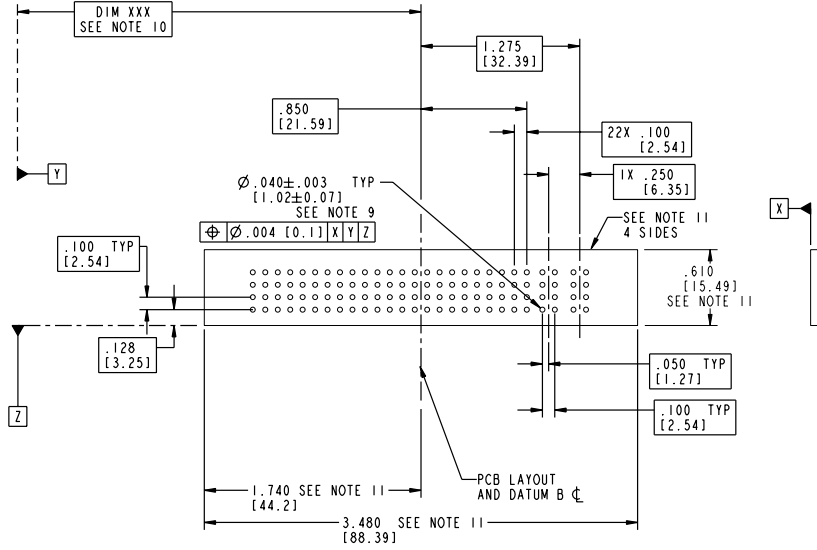
STATUS: Released

Printed: Dec 20, 2010

Tous droits strictement réservés. Reproduction ou communication à des fins interdites sans aucune forme que ce soit sans autorisation écrite du propriétaire. Propriété de c FCI. Droits de reproduction FCI.

All rights strictly reserved. Reproduction or issue to third parties in any form whatever is not permitted without written authority from the proprietor. Property of FCI. Copyright FCI.

PRODUCT NUMBER
51752-010..
Note:③



mat'l code		SEE NOTE 2	tolerances unless otherwise specified		CUSTOMER	FCI www.fciconnect.com	
ltr	ecn no.	dr	date	linear	COPY	title	
B				$.XX \pm .01/0 .XX \pm 0.3$	projection	2P + 92S	
				$.XXX \pm .002/0 .XXX \pm 0.051$		VERTICAL PRESS FIT RECEIPT	
				angles	$0^\circ \pm$	product family	PwrBlade
				dr	W. MOSTOLLER 8/5/03	size	213
				engr	W. MOSTOLLER 8/5/03	dwg no	51752-010
				chr	H. BREWBAKER 8/5/03	scale	3 of 4
				appd	W. MOSTOLLER 8/5/03	INCH/MM	
sheet index	revision				scale	A	
	sheet				1:1		

Pro/E

code code **22526**

PDM: Rev:B

STATUS: **Released**

Printed: Dec 20, 2010

Tous droits strictement réservés. Reproduction ou communication de ces lignes interdit sans aucune forme que ce soit sans autorisation écrite du propriétaire. Propriété de FCI. Droits de reproduction FCI.

All rights strictly reserved. Reproduction or issue to third parties in any form whatever is not permitted without written authority from the proprietor. Property of FCI. Copyright FCI.

PRODUCT NUMBER
51752-010..
Note: ③

NOTES:

1. DIMENSIONS AND TOLERANCES ARE IN ACCORDANCE WITH ASME Y14.5M, 1994 UNLESS OTHERWISE SPECIFIED.

CONNECTOR NOTES:

② HOUSING MATERIAL: UL 94 V-0 GLASS FILLED HIGH-TEMP THERMOPLASTIC
POWER CONTACT MATERIAL: COPPER ALLOY
SIGNAL PIN MATERIAL: COPPER ALLOY

3. PLATING:

51752-010 Singal Pin: 30u"/0.76um Au OVER 50u"/1.27um Ni ON THE CONTACT AREA,
AND 100u"/2.54um SnPb PLATING OVER 50u"/1.27um Ni ON THE TERMINATION SECTION.
Power Pin: 30u"/0.76um Au OVER 50u"/1.27um Ni ON THE CONTACT AREA,
AND 100u"/2.54um SnPb PLATING OVER 50u"/1.27um Ni ON THE TERMINATION SECTION.

51752-010LF Singal Pin: 30u"/0.76um Au OVER 50u"/1.27um Ni ON THE CONTACT AREA,
AND 78u"/2.00um Sn PLATING OVER 50u"/1.27um Ni ON THE TERMINATION SECTION.
Power Pin: 30u"/0.76um Au OVER 50u"/1.27um Ni ON THE CONTACT AREA,
AND 78u"/2.00um Sn PLATING OVER 50u"/1.27um Ni ON THE TERMINATION SECTION.

PART NUMBER 51752-010LF MEETS EUROPEAN UNION DIRECTIVE AND OTHER COUNTRY REGULATIONS AS DESCRIBED IN GS-22-008.

THE HOUSING WILL WITHSTAND EXPOSURE TO 260° PEAK TEMPERATURE FOR 10 SECONDS IN A WAVE SOLDER APPLICATION WITH A CIRCUIT BOARD.

④ MANUFACTURER'S NAME, P/N, AND DATE CODE TO APPEAR ON THIS SURFACE.

5. PRODUCT SPECIFICATION GS-12-149,
APPLICATION SPECIFICATION BUS-20-067.

6. PACKAGED IN TRAYS.

PCB NOTES:

7. ALL HOLE DIAMETERS ARE FINISHED HOLE SIZE.

⑧ MOUNTING HOLES, WHERE APPLICABLE, ARE UNPLATED.

⑨ $\varnothing .0453 \pm .0010$ [1.151 ± 0.025] DRILLED HOLES PLATED WITH
.0003 [0.008] MIN SnPb OVER .001 [0.03]
TO .003 [0.08] Cu PLATING TO ACHIEVE
 $\varnothing .040 \pm .003$ [1.02 ± .07] HOLE.

⑩ "DIM XXX" TO BE DETERMINED BY THE CUSTOMER.

⑪ CONNECTOR KEEP-OUT ZONE.

mat'l code		SEE NOTE 2	tolerances unless otherwise specified	CUSTOMER	FCI www.fciconnect.com	
ltr	ecn no.	dr	date	COPY	projection	title
B						2P + 92S
						VERTICAL PRESS FIT RECEIPT
						product family PwrBlade
						code 213
						size
						dwg no 51752-010
						sheet 4 of 4
sheet index	revision sheet					

Pro/E

PDM: Rev:B

STATUS: Released

Printed: Dec 20, 2010