

Excellent Integrated System Limited

Stocking Distributor

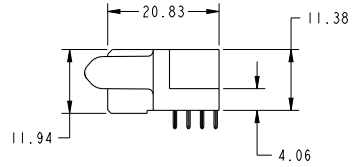
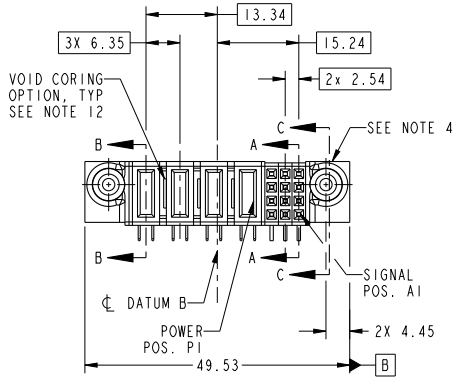
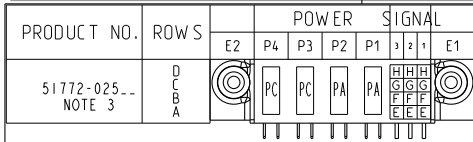
Click to view price, real time Inventory, Delivery & Lifecycle Information:

[FCI](#)

[51772-025LF](#)

For any questions, you can email us directly:

sales@integrated-circuit.com



CODE	DIM "M" MATING LENGTH	CONTACT TYPE
PC	[2.34]	POWER
H	[N/A]	SIGNAL
G	[N/A]	SIGNAL
F	[N/A]	SIGNAL
E	[N/A]	SIGNAL
PA	[1.07]	POWER

spec ref	SEE NOTES	dr	Anson Liu	2011/04/27	projection		size	A4	scale	1:1
tolerance std	SEE NOTES	eng	Guang, Shi	2011/08/05		MM	ecn no	-	rel level	Released
surface	TOLERANCES UNLESS OTHERWISE SPECIFIED	chr	-	-			product family	PwrBlade	cat. no.	12S + 4P
	linear	0.X	±0.50		www.fci.com	R/A STB RECEPTACLE	cat. no.	Product - Customer Drw	sheet 1 of 4	PDS: Rev :A
	linear	0.XX	±0.25							
	linear	0.XXX	±0.10							
	angular	0°	±2°							

Prod File - REC - 2009-08-09

1

2

3

PDS: Rev :A

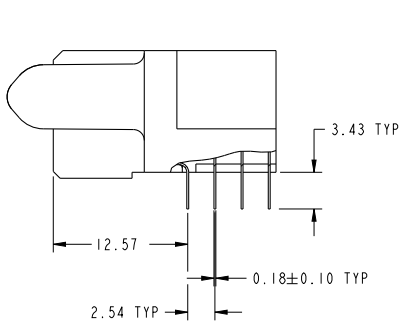
STATUS:Released

Printed: Aug 05, 2011

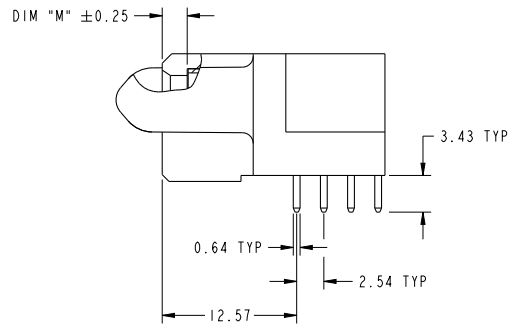


Copyright FCI.

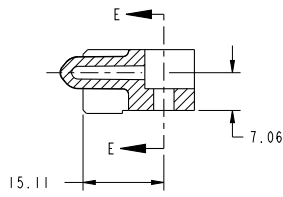
PRODUCT NUMBER
51772-025..



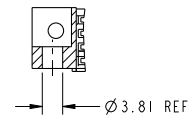
BROKEN-OUT SECTION A-A
SCALE 2:1



BROKEN-OUT SECTION B-B
SCALE 2:1



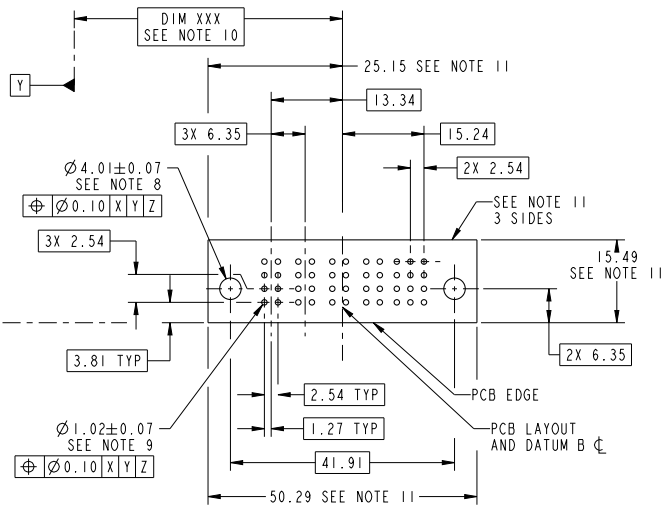
SECTION C-C



PARTIAL SECTION E-E

dr	Anson Liu	2011/04/27	projection	MM	size	A4	scale	1:1
eng	Guang, Shi	2011/08/05			ecn no	-		
chr	-	-	product family	PwrBlade	rel level	Released		
appr	Pei-Ming Zheng	2011/08/05			cat. no.	12S + 4P		rev
					cat. no.	R/A STB RECEPTACLE		A
			www.fci.com		Product - Customer Drw	sheet 2 of 4		

PRODUCT NUMBER
51772-025_..



RECOMMENDED PCB LAYOUT

dr	Anson Liu	2011/04/27	projection	MM	size	A4	scale	1:1
eng	Guang, Shi	2011/08/05			ecn no	-		
chr	-	-			rel level	Released		
appr	Pei-Ming Zheng	2011/08/05	product family	PwrBlade				
	12S + 4P				dwg no	51772-025		rev
	R/A STB RECEPTACLE							A
	cat. no.	Product - Customer Drw			sheet 3 of 4			

Print File : REC - 2009-08-09

PDS: Rev :A

STATUS:Released

Printed: Aug 05, 2011

PRODUCT NUMBER
51772-025_

NOTES:

1. DIMENSIONS AND TOLERANCES ARE IN ACCORDANCE WITH ASME Y14.5M, 1994 UNLESS OTHERWISE SPECIFIED.

CONNECTOR NOTES:

- ② HOUSING MATERIAL: UL 94 V-0 GLASS FILLED HIGH-TEMP THERMOPLASTIC
POWER CONTACT MATERIAL: COPPER ALLOY
SIGNAL PIN MATERIAL: COPPER ALLOY
 - 3. SEE ITEM 5 & 6 IN PRINT 10064183 FOR PLATING SPEC OF 51772-025 AND 51772-025LF RESPECTIVELY.
 - ④ MANUFACTURER'S NAME, DATE CODE AND OPTIONAL P/N TO APPEAR ON THIS SURFACE. THE P/N CAN BE OMITTED IF THERE IS NOT ENOUGH SPACE ON THIS SURFACE.
 - 5. PRODUCT SPECIFICATION GS-12-149.
APPLICATION SPECIFICATION BUS-20-067.
 - 6. PACKAGED IN TRAYS.
- PCB NOTES:
- 7. ALL HOLE DIAMETERS ARE FINISHED HOLE SIZE.
 - ⑧ MOUNTING HOLES, WHERE APPLICABLE, ARE UNPLATED.
 - ⑨ $\varnothing 1.151 \pm 0.025$ DRILLED HOLES PLATED WITH 0.008 MIN SnPb OR Sn OVER 0.03 TO 0.08 Cu PLATING TO ACHIEVE $\varnothing 1.02 \pm .07$ HOLE.
 - ⑩ "DIM XXX" TO BE DETERMINED BY THE CUSTOMER.
 - ⑪ CONNECTOR KEEP-OUT ZONE.
 - 12. THE VOID CORING IN BETWEEN POWER MODULES, SIGNAL MODULES AND END MODULES ARE OPTIONAL AND THE SHAPE MAY BE DIFFERENT FOR OPTIMIZE THE MOLDING PROCESS. THE VOID CORING WILL NOT EFFECT TO PRODUCT FUNCTION.

dr	Anson Liu	2011/04/27	projection	MM	size	A4	scale	1:1
eng	Guang, Shi	2011/08/05		← →	ecn no	-		
chr	-	-			product family	PwrBlade	rel level	Released
appr	Pei-Ming Zheng	2011/08/05			title	12S + 4P		rev
					cat. no.	R/A STB RECEPTACLE		A
					www.fci.com	Product - Customer Drw	sheet 4 of 4	

Print File - REC - 2009-08-09



Copyright FCI.