

Excellent Integrated System Limited

Stocking Distributor

Click to view price, real time Inventory, Delivery & Lifecycle Information:

[FCI](#)

[51773-013LF](#)

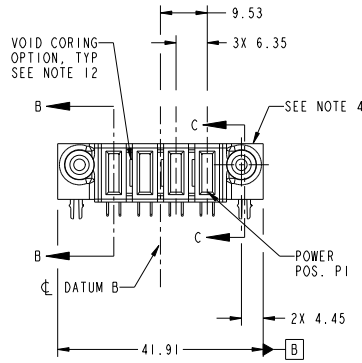
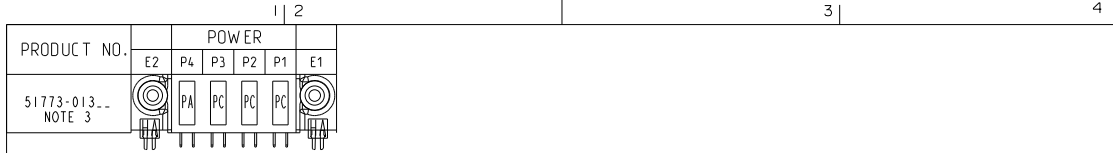
For any questions, you can email us directly:

sales@integrated-circuit.com

Tous droits strictement réservés. Reproduction ou communication à des tiers interdite sous quelque forme que ce soit sans autorisation écrite du propriétaire. Propriété de FCI. Droits de reproduction FCI.



All rights strictly reserved. Reproduction or issue to third parties in any form whatever is not permitted without written authority from the proprietor. Property of FCI. Copyright FCI.



CODE	DIM "M" MATING LENGTH	CONTACT TYPE
PC	[2.34]	POWER
HA	[N/A]	HOLD-DOWN
PA	[1.07]	POWER

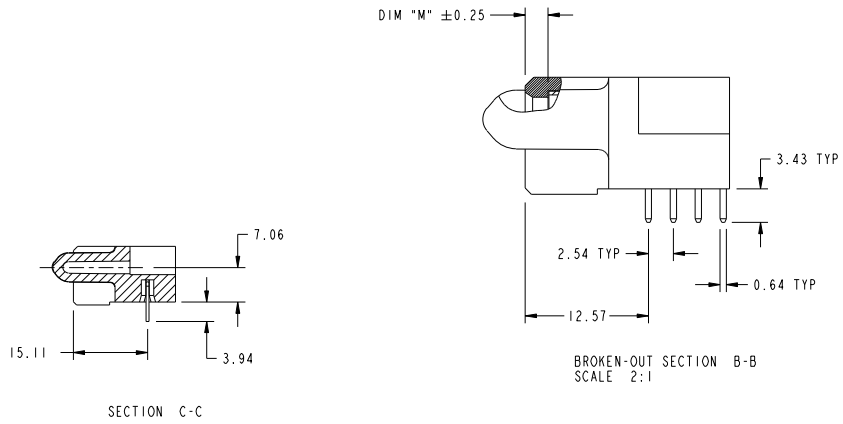
SEE NOTE 2				tolerances unless otherwise specified		CUSTOMER		FCI	
ltr	ecn no.	dr	date	0.X ±0.5	COPY		www.fciconnect.com		
A	DG11-0080	AL	03/16/11	0.XX ±0.25	projection	title		4 P	
				0.XXX ±0.1	MM	R/A STB RECEPTACLE			
				0° ±2°	scale	product family		PwrBlade	
				dr Anson Liu 02/12/11	1:1	size		dwg no	
				engr Anson Liu 03/16/11		A		51773-013	
				chr PW ZHENG 02/12/11				213	
				opdd Joseph Hsiao 02/12/11				sheet	
sheet index	revision sheet	A 1	A 2	A 3	A 4			1 of 4	
				Pro/E		3		4	
						cage code		22526	

Tous droits strictement réservés. Reproduction ou communication à des tiers interdite sous quelque forme que ce soit sans autorisation écrite du propriétaire. Propriété de FCI. Droits de reproduction FCI.

All rights strictly reserved. Reproduction or issue to third parties in any form whatever is not permitted without written authority from the proprietor. Property of FCI. Copyright FCI.



PRODUCT NUMBER
51773-013...
NOTE 3



mat'l code				SEE NOTE 2	tolerances unless otherwise specified		CUSTOMER		FCI		www.fciconnect.com	
ltr	ecm no.	dr	date	linear	0.X ±0.5	COPY		projection		title		
A					0.XX ±0.25	A		4 P		R/A STB RECEPTACLE		
				angles	0.XXX ±0.1	MM		product family		PwrBlade		code
				dr	0° ±2°	1:1		size		dwg no		213
				enr	Asnon Liu 02/12/11			A		51773-013		sheet
				chr	PM ZHENG 02/12/11							2 of 4
				oppd	Joseph Hsiao 02/12/11							
sheet index	revision sheet											
										cage code	22526	

Pro/E

PDM: Rev:A

STATUS:Released

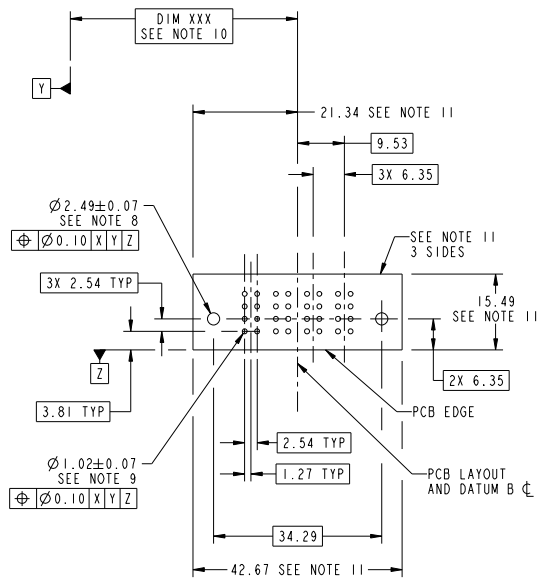
Printed: Mar 22, 2011

Tous droits strictement réservés. Reproduction ou communication à des tiers interdite sous quelque forme que ce soit sans autorisation écrite du propriétaire. Propriété de FCI. Droits de reproduction FCI.



All rights strictly reserved. Reproduction or issue to third parties in any form whatever is not permitted without written authority from the proprietor. Property of FCI. Copyright FCI.

PRODUCT NUMBER
51773-013...
NOTE 3



RECOMMENDED PCB LAYOUT

mat'l code		SEE NOTE		tolerances unless otherwise specified		CUSTOMER	
ltr	ecm no.	dr	date	linear	0.X ±0.5	COPY	www.fciconnect.com
A				angles	0.XX ±0.25	projection	4 P
					0.XXX ±0.1	MM	R/A STB RECEPTACLE
				dr	0° ±2°	product family	PwrBlade
				enr	Asnon Liu 02/12/11	size	code
				chr	Asnon Liu 03/16/11	dwg no	213
				oppd	PM ZHENG 02/12/11	scale	3 of 4
					Joseph Hsiao 02/12/11	1:1	
sheet index	revision sheet						

Pro/E

cage code 22526

Tous droits strictement réservés. Reproduction ou communication à des tiers interdite sous quelque forme que ce soit sans autorisation écrite du propriétaire. Propriété de FCI. Droits de reproduction FCI.

All rights strictly reserved. Reproduction or issue to third parties in any form whatever is not permitted without written authority from the proprietor. Property of FCI. Copyright FCI.

PRODUCT NUMBER
51773-013-
NOTE 3

NOTES:

1. DIMENSIONS AND TOLERANCES ARE IN ACCORDANCE WITH ASME Y14.5M, 1994 UNLESS OTHERWISE SPECIFIED.

CONNECTOR NOTES:

- 2. HOUSING MATERIAL: UL 94 V-0 GLASS FILLED HIGH-TEMP THERMOPLASTIC
POWER CONTACT MATERIAL: COPPER ALLOY
SIGNAL PIN MATERIAL: COPPER ALLOY
- 3. SEE ITEM 5 & 6 IN PRINT 10064183 FOR PLATING SPEC OF 51773-013 AND 51773-013LF RESPECTIVELY.
- 4. MANUFACTURER'S NAME, DATE CODE AND OPTIONAL P/N TO APPEAR ON THIS SURFACE. THE P/N CAN BE OMITTED IF THERE IS NOT ENOUGH SPACE ON THIS SURFACE.
- 5. PRODUCT SPECIFICATION GS-12-149.
APPLICATION SPECIFICATION BUS-20-067.
- 6. PACKAGED IN TRAYS.

PCB NOTES:

- 7. ALL HOLE DIAMETERS ARE FINISHED HOLE SIZE.
- 8. MOUNTING HOLES, WHERE APPLICABLE, ARE UNPLATED.
- 9. $\phi 1.151 \pm 0.025$ DRILLED HOLES PLATED WITH 0.008 MIN SnPb OR Sn OVER 0.03 TO 0.08 Cu PLATING TO ACHIEVE $\phi 1.02 \pm .07$ HOLE.
- 10. "DIM XXX" TO BE DETERMINED BY THE CUSTOMER.
- 11. CONNECTOR KEEP-OUT ZONE.
- 12. THE VOID CORING IN BETWEEN POWER MODULES, SIGNAL MODULES AND END MODULES ARE OPTIONAL AND THE SHAPE MAY BE DIFFERENT FOR OPTIMIZE THE MOLDING PROCESS. THE VOID CORING WILL NOT EFFECT TO PRODUCT FUNCTION.

mat'l code				SEE NOTE 2	tolerances unless otherwise specified	CUSTOMER	FCI		www.fciconnect.com
ltr	ecm no.	dr	date	linear	0.X ± 0.5	COPY	title		
A					0.XX ± 0.25	projection	4 P		
				angles	0.XXX ± 0.1		R/A STB RECEPTACLE		
				dr	0° ± 2°	MM	product family	PwrBlade	code
				engr	Anson Liu 02/12/11	scale	size	dwg no	213
				chr	Anson Liu 03/16/11	1:1	A	51773-013	sheet
				oppd	PM ZHENG 02/12/11				4 of 4
sheet index	revision sheet								

Pro/E

cage code 22526