

Excellent Integrated System Limited

Stocking Distributor

Click to view price, real time Inventory, Delivery & Lifecycle Information:

[FCI](#)

[51777-005LF](#)

For any questions, you can email us directly:

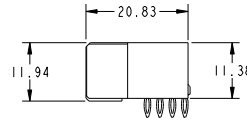
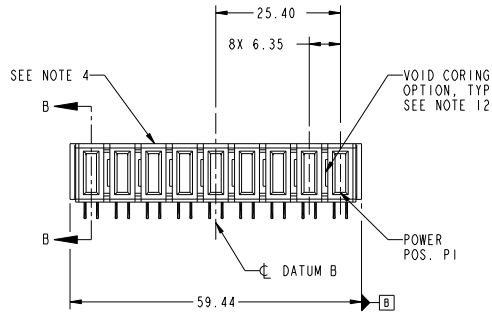
sales@integrated-circuit.com

Tous droits strictement réservés. Reproduction ou communication à des tiers interdite sous quelque forme que ce soit sans autorisation écrite du propriétaire. Propriété de FCI. Droits de reproduction FCI.

All rights strictly reserved. Reproduction or issue to third parties in any form whatever is not permitted without written authority from the proprietor. Property of FCI. Copyright FCI.



PRODUCT NO. 51777-005-- NOTE 3	POWER										
	E2	P9	P8	P7	P6	P5	P4	P3	P2	P1	E1
	PG	PF	PF	PF	PF	PF	PF	PF	PF	PG	



CODE	DIM "M" MATING LENGTH	CONTACT TYPE
PF	[2.34]	POWER
PG	[1.07]	POWER

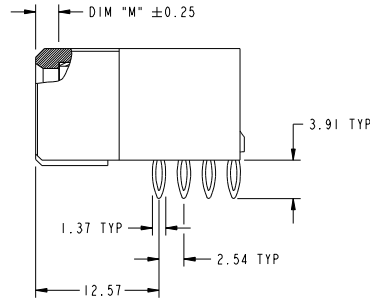
mat'l code SEE NOTE 2				tolerances unless otherwise specified		CUSTOMER		FCI	
lfr	ecn no.	dr	date	0.X ±0.5	COPY		www.fciconnect.com		
A	DG10-0074	ZWL	02/24/10	0.XX ±0.25	projection	title		IIP	
				0.XXX ±0.1	MM	R/A PRESS FIT RECEPTACLE			
				0° ±2°	scale	product family		PwrBlade	
				dr WL ZHANG 02/24/10	1:1	size		code	
				enr WL ZHANG 02/24/10		dwg no		213	
				chr PW ZHENG 02/24/10		51777-005		sheet	
				oppd Joseph Hsiao 02/24/10		A		1 of 4	
sheet index	revision sheet	A 1	A 2	A 3	A 4	cage code		22526	

Tous droits strictement réservés. Reproduction ou communication à des tiers interdite sous quelque forme que ce soit sans autorisation écrite du propriétaire. Propriété de FCI. Droits de reproduction FCI.

All rights strictly reserved. Reproduction or issue to third parties in any form whatever is not permitted without written authority from the proprietor. Property of FCI. Copyright FCI.



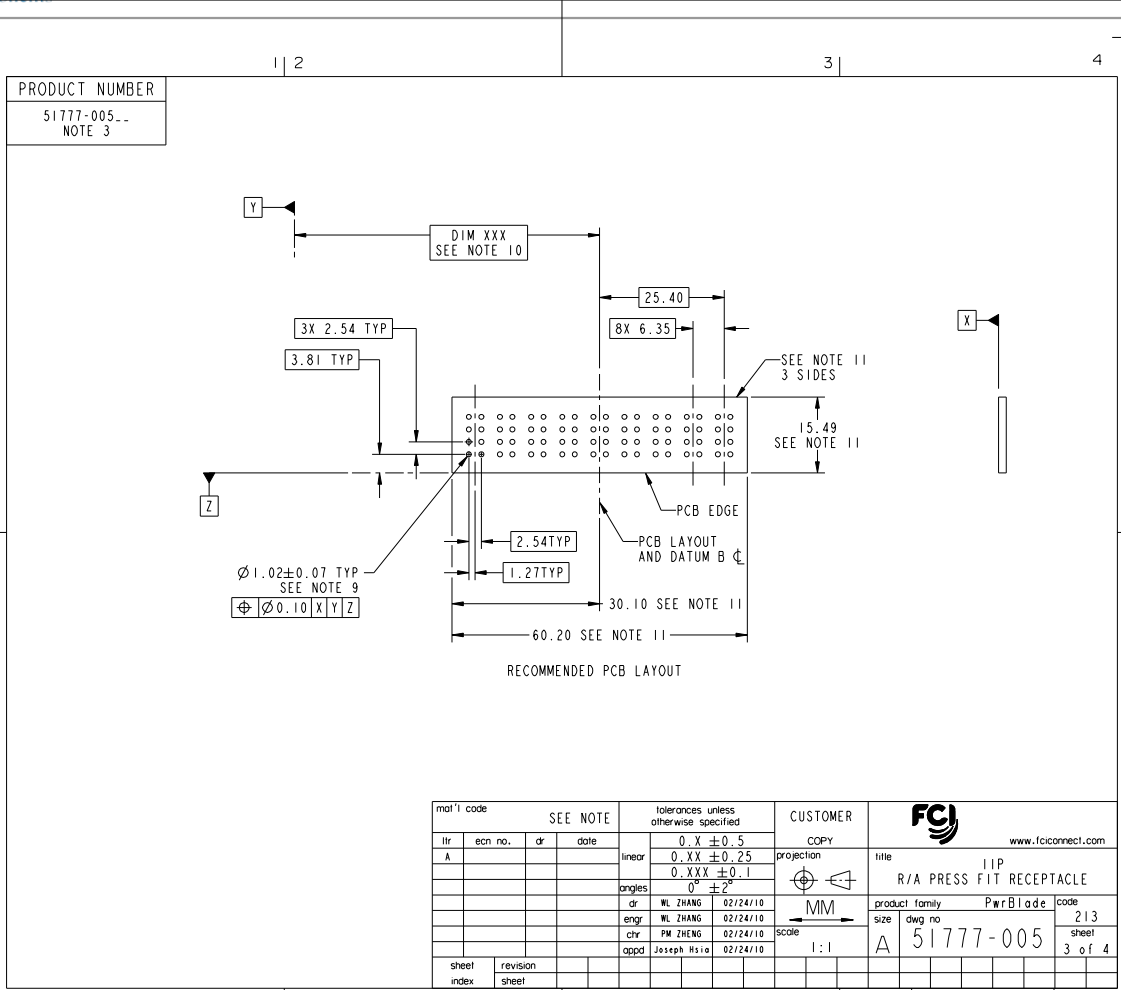
PRODUCT NUMBER
51777-005...
NOTE 3



mat'l code				SEE NOTE 2		tolerances unless otherwise specified		CUSTOMER		FCI	
ltr	ecn no.	dr	date	linear	0.X ±0.5	projection	COPY		www.fciconnect.com		
A					0.XX ±0.25		title		IIP		
				angles	0.XXX ±0.1		R/A PRESS FIT RECEPTACLE		product family PwrBlade code 213		
				dr	0° ±2°	scale	size		dwg no 51777-005 sheet 2 of 4		
				enr	WL ZHANG 02/24/10	1:1	A		cage code 22526		
				chr	FW ZHENG 02/24/10						
				appd	Joseph Hsiao 02/24/10						
sheet index	revision sheet										

Tous droits strictement réservés. Reproduction ou communication à des tiers interdite sous quelque forme que ce soit sans autorisation écrite du propriétaire. Propriété de FCI. Droits de reproduction FCI.

All rights strictly reserved. Reproduction or issue to third parties in any form whatever is not permitted without written authority from the proprietor. Property of FCI. Copyright FCI.



mat'l code		SEE NOTE	tolerances unless otherwise specified	CUSTOMER	FCI	
ltr	ecn no.	dr	date	linear	0.X ±0.5	www.fciconnect.com
A				angles	0.XX ±0.25	
				chr	0.XXX ±0.1	
				appr	0° ±2°	
				dr	WL ZHANG 02/24/10	
				enr	WL ZHANG 02/24/10	
				chr	FW ZHENG 02/24/10	
				appr	Joseph Hsiao 02/24/10	
sheet index	revision sheet					

Tous droits strictement réservés. Reproduction ou communication à des tiers interdite sous quelque forme que ce soit sans autorisation écrite du propriétaire. Propriété de FCI. Droits de reproduction FCI.

All rights strictly reserved. Reproduction or issue to third parties in any form whatever is not permitted without written authority from the proprietor. Property of FCI. Copyright FCI.

PRODUCT NUMBER
51777-005-_
NOTE 3

NOTES:

1. DIMENSIONS AND TOLERANCES ARE IN ACCORDANCE WITH ASME Y14.5M, 1994 UNLESS OTHERWISE SPECIFIED.

CONNECTOR NOTES:

2. HOUSING MATERIAL: UL 94 V-0 GLASS FILLED HIGH-TEMP THERMOPLASTIC
POWER CONTACT MATERIAL: COPPER ALLOY
SIGNAL PIN MATERIAL: COPPER ALLOY
 3. PLATING:
SEE ITEM 7 & 8 IN PRINT 10064183 FOR PLATING SPEC OF 851777-005LUB 51777-005LUBLF 51777-005; 51777-005LF PRESPECTIVELY.
 4. MANUFACTURER'S NAME, DATE CODE AND OPTIONAL P/N TO APPEAR ON THIS SURFACE, THE P/N CAN BE OMITTED IF THERE IS NOT ENOUGH SPACE ON THIS SURFACE.
 5. PRODUCT SPECIFICATION GS-12-149.
APPLICATION SPECIFICATION BUS-20-067.
 6. PACKAGED IN TRAYS.
- PCB NOTES:
7. ALL HOLE DIAMETERS ARE FINISHED HOLE SIZE.
 8. MOUNTING HOLES, WHERE APPLICABLE, ARE UNPLATED.
 9. $\varnothing 1.151 \pm 0.025$ DRILLED HOLES PLATED WITH 0.008 MIN SnPb OR Sn OVER 0.03 TO 0.08 Cu PLATING TO ACHIEVE $\varnothing 1.02 \pm .07$ HOLE.
 10. "DIM XXX" TO BE DETERMINED BY THE CUSTOMER.
 11. CONNECTOR KEEP-OUT ZONE.
 12. THE VOID CORING IN BETWEEN POWER MODULES, SIGNAL MODULES AND END MODULES ARE OPTIONAL AND THE SHAPE MAY BE DIFFERENT FOR OPTIMIZE THE MOLDING PROCESS. VOID CORING WILL NOT EFFECT TO PRODUCT FUNCTION.
 13. USE FCI CAM TOOL 430140-XXX TO APPLY CONNECTOR TO PCB.
 14. APPLY ZIPCHEM LUBE TO THE CONTACT AREA OF POWER CONTACTS; ADM THE SUFFIX CODE "LUB" STANDS FOR LUBE.

mat'l code		SEE NOTE 2		tolerances unless otherwise specified		CUSTOMER		FCI		www.fciconnect.com	
ltr	ecm no.	dr	date	linear	0.X ± 0.5	COPY		projection	title		
A					0.XX ± 0.25				R/A PRESS FIT RECEPTACLE		
				angles	0° ± 2°				product family	PwrBlade	code
		dr	WL ZHANG	02/24/10				size	dwg no	51777-005	213
		enr	WL ZHANG	02/24/10				scale	A		sheet
		chr	FW ZHENG	02/24/10				1:1			4 of 4
		oppd	Joseph Hsiao	02/24/10							
sheet index	revision sheet										

Pro/E

cage code 22526