

## Excellent Integrated System Limited

Stocking Distributor

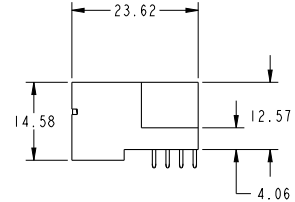
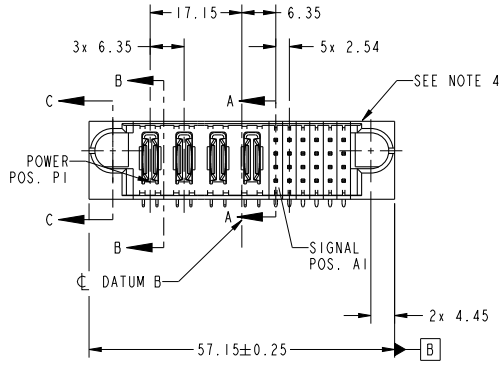
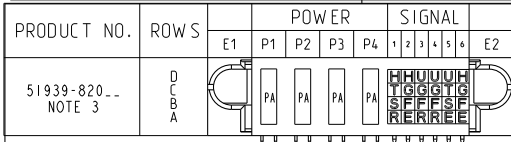
Click to view price, real time Inventory, Delivery & Lifecycle Information:

[FCI](#)

[51939-820LF](#)

For any questions, you can email us directly:

[sales@integrated-circuit.com](mailto:sales@integrated-circuit.com)



CODE	DIM "M" MATING LENGTH	CONTACT TYPE
H	[5.59]	SIGNAL
R	[6.86]	SIGNAL
S	[6.86]	SIGNAL
T	[6.86]	SIGNAL
G	[5.59]	SIGNAL
F	[5.59]	SIGNAL
E	[5.59]	SIGNAL
U	[6.86]	SIGNAL
PA	[N/A]	POWER

spec ref	*	dr	Luo Weller	2013/1/20	projection		size	A4	scale	1:1
tolerance std	ASME Y14.5	eng	Luo Weller	2013/1/26	chr	-	ecn no	-	rel level	Released
surface	linear	appr	Pei-Ming Zheng	2013/1/26	product family	PwrBlade	dwg no	51939-820	rev	A
	0.X									
	0.XX									
	0.XXX									
	angular									
	0°									
	±0.5									
	±0.25									
	±0.1									
	±2°									
TOLERANCES UNLESS OTHERWISE SPECIFIED		<b>FCI</b>		4P+24S		RIGHT ANGLE SOLDER HEADER		www.fci.com		cat. no. -
Product - Customer		Drw		sheet 1 of 4		PDS: Rev :A		STATUS:Released		Printed: Nov 26, 2013

Prod File - REV C - 2009-08-09

1

2

3

PDS: Rev :A

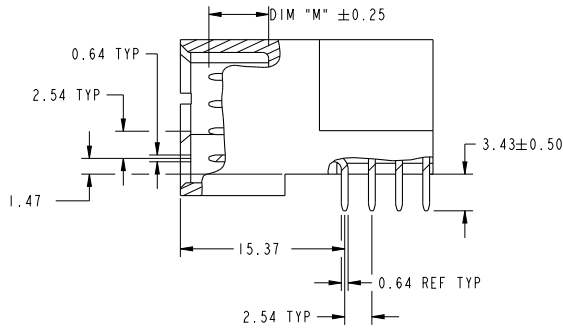
STATUS:Released

Printed: Nov 26, 2013

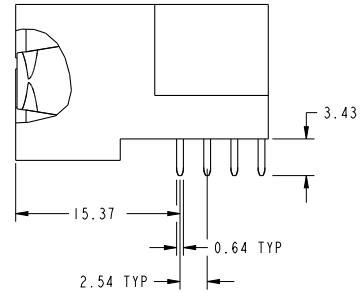


Copyright FCI.

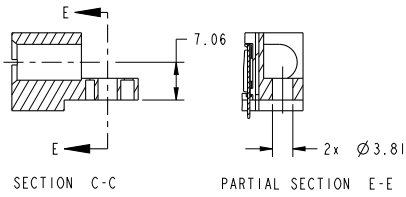
PRODUCT NUMBER  
51939-820...  
NOTE: 3



BROKEN-OUT SECTION A-A  
SCALE 2:1



BROKEN-OUT SECTION B-B  
SCALE 2:1



dr	Luo Weller	2013/11/20	projection	MM	size	A4	scale	1:1
eng	Luo Weller	2013/11/26			ecn no	-	<b>Released</b>	rev <b>A</b>
chr	-	-			product family	PwrBlade		
appr	Pei-Ming Zheng	2013/11/26			title	4P+24S RIGHT ANGLE SOLDER HEADER		cat. no. - Product - Customer Drw
www.fci.com			www.fci.com		dwg no 51939-820	sheet 2 of 4		

Print File - REV C - 2009-06-09

1

2

3

PDS: Rev :A

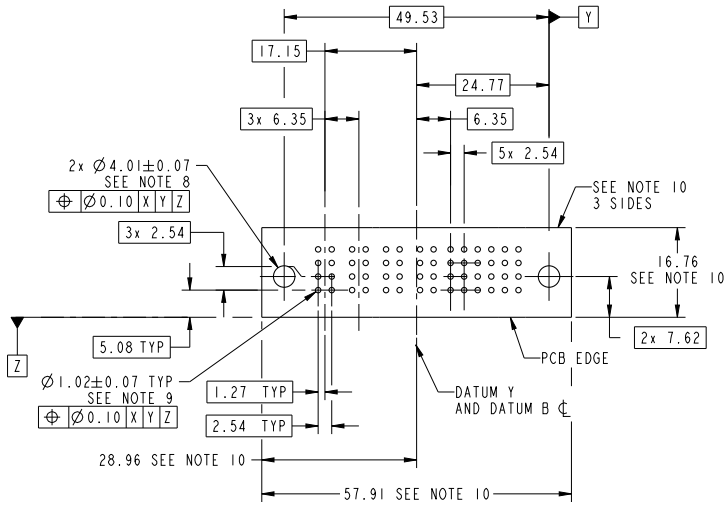
STATUS:Released

Printed: Nov 26, 2013



Copyright FCI.

PRODUCT NUMBER  
51939-820-  
NOTE: 3



RECOMMENDED PCB LAYOUT

dr	Luo Weller	2013/11/20	projection	MM	size	A4	scale	1:1
eng	Luo Weller	2013/11/26			ecn no	-	rel level	
chr	-	-			product family	PwrBlade	Released	
appr	Pei-Ming Zheng	2013/11/26				cat. no.	4P+24S	dwg no
						RIGHT ANGLE SOLDER HEADER		51939-820
			www.fci.com			Product - Customer Drw		rev
						sheet 3 of 4		A

Print File - REV C - 2009-06-09

PRODUCT NUMBER

51939-820-  
NOTE: 3

NOTES:

1. DIMENSIONS AND TOLERANCES ARE IN ACCORDANCE WITH ASME Y14.5M, 1994 UNLESS OTHERWISE SPECIFIED.

CONNECTOR NOTES:

2. HOUSING MATERIAL: UL 94 V-0 GLASS FILLED HIGH-TEMP THERMOPLASTIC  
POWER CONTACT MATERIAL: COPPER ALLOY  
SIGNAL PIN MATERIAL: COPPER ALLOY  
3. SEE ITEM 1 & 2 IN PRINT 10064183 FOR PLATING SPEC OF 51939-820 AND 51939-820LF RESPECTIVELY.

4. MANUFACTURER'S NAME, DATE CODE AND OPTIONAL P/N TO APPEAR ON THIS SURFACE. THE MARK CAN BE OMITTED IF THERE IS NOT ENOUGH SPACE ON THIS SURFACE.

5. PRODUCT SPECIFICATION GS-12-149.  
APPLICATION SPECIFICATION BUS-20-067.

6. PACKAGED IN TRAYS.

PCB NOTES:

7. ALL HOLE DIAMETERS ARE FINISHED HOLE SIZE.

8. MOUNTING HOLES, WHERE APPLICABLE, ARE UNPLATED.

9.  $\varnothing 1.151 \pm 0.025$  DRILLED HOLES PLATED WITH  
0.008 MIN SnPb OR Sn OVER 0.03  
TO 0.08 Cu PLATING TO ACHIEVE  
 $\varnothing 1.02 \pm 0.07$  HOLE.

10. CONNECTOR KEEP-OUT ZONE.

dr	Luo Weller	2013/11/20	projection		MM	size	A4	scale	1:1		
eng	Luo Weller	2013/11/26	ecp no			-					
chr	-	-	product family	PwrBlade	rel level	<b>Released</b>					
appr	Pei-Ming Zheng	2013/11/26			title	4P+24S		dwg no	51939-820	rev	A
www.fci.com			cat. no.	-	Product - Customer Drw	sheet 4 of 4					

Print File - REV C - 2009-08-09



Copyright FCI.