

Excellent Integrated System Limited

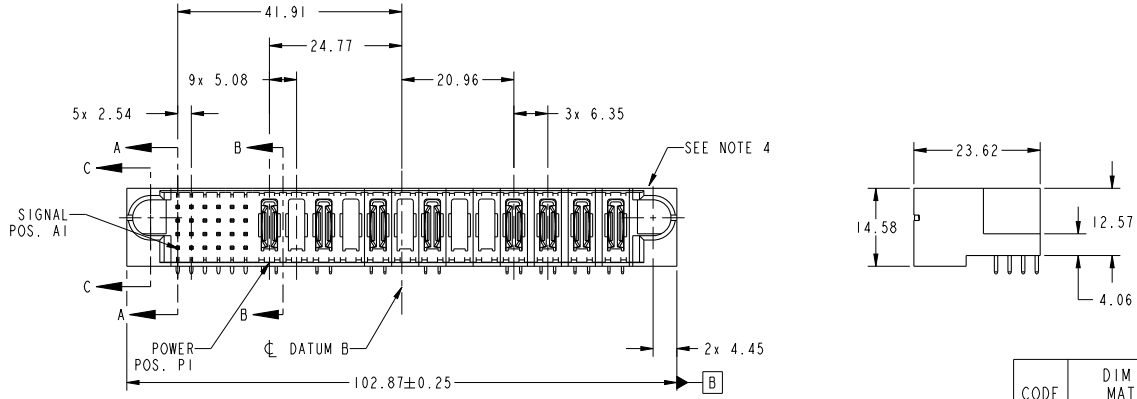
Stocking Distributor

Click to view price, real time Inventory, Delivery & Lifecycle Information:

[FCI](#)
[51939-826LF](#)

For any questions, you can email us directly:
sales@integrated-circuit.com

PRODUCT NO.	ROWS	SIGNAL				POWER																
		E1	1	2	3	4	5	6	P1	P2	P3	P4	P5	P6	P7	P8	P9	P10	P11	P12	P13	E2
51939-826... NOTE 3	D C B A	U T S R	U T S R	U T S R	U T S R	U T S R	U T S R	U T S R	U T S R	U T S R	U T S R	U T S R	U T S R	U T S R	U T S R	U T S R	U T S R	U T S R	U T S R	U T S R	U T S R	U T S R



CODE	DIM "M" MATING LENGTH	CONTACT TYPE
U	[6.86]	SIGNAL
T	[6.86]	SIGNAL
S	[6.86]	SIGNAL
R	[6.86]	SIGNAL
F	[5.59]	SIGNAL
PA	[N/A]	POWER
X	OMITTED	OMITTED

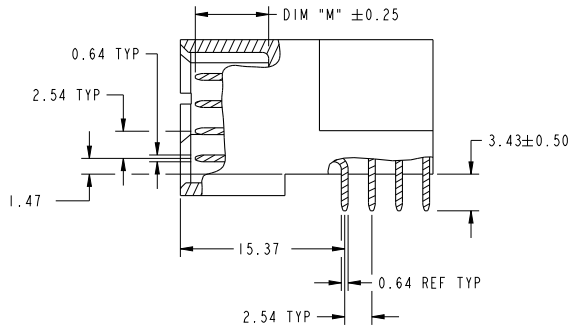
spec ref	*	dr	Luo Weller	2014/01/10	projection	MM	size	A4	scale	1:1											
tolerance std	TOLERANCES UNLESS OTHERWISE SPECIFIED	eng	Luo Weller	2014/02/16			ecn no	-	rel level	Released											
SEE NOTE		chr	-	appr			Pei-Ming Zheng	2014/02/16	product family	PwrBlade											
surface	<table border="1"> <tr> <td>linear</td> <td>0.X</td> <td>±0.5</td> </tr> <tr> <td></td> <td>0.XX</td> <td>±0.25</td> </tr> <tr> <td></td> <td>0.XXX</td> <td>±0.1</td> </tr> <tr> <td>angular</td> <td>0°</td> <td>±2°</td> </tr> </table>	linear	0.X	±0.5		0.XX	±0.25		0.XXX	±0.1	angular	0°	±2°			24S + 9DCP + 4P RIGHT ANGLE SOLDER HEADER		www.fci.com	cat. no. -	Product - Customer Drw	sheet 1 of 4
linear	0.X	±0.5																			
	0.XX	±0.25																			
	0.XXX	±0.1																			
angular	0°	±2°																			
							dwg no 51939-826	rev A													



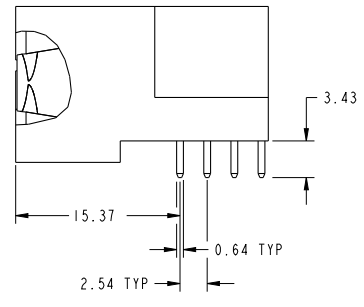
Copyright FCI.

Print File - REV C - 2009-08-09

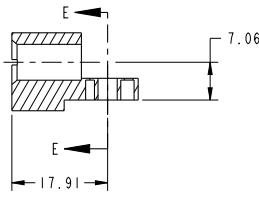
PRODUCT NUMBER
51939-826...
NOTE: 3



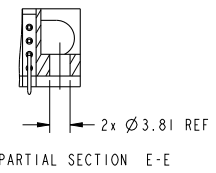
BROKEN-OUT SECTION A-A
SCALE 2:1



BROKEN-OUT SECTION B-B
SCALE 2:1



SECTION C-C



PARTIAL SECTION E-E

dr	Luo Weller	2014/01/10	projection	MM	size	A4	scale	1:1	
eng	Luo Weller	2014/02/16			ecn no	-	rel level	Released	
chr	-	-			product family	PwrBlade			
appr	Pei-Ming Zheng	2014/02/16			title	24S + 9DCP + 4P		dwg no	51939-826
www.fci.com					RIGHT ANGLE SOLDER HEADER	rev	A	cat. no. - Product - Customer Drw sheet 2 of 4	

Print File - REV C - 2009-06-09

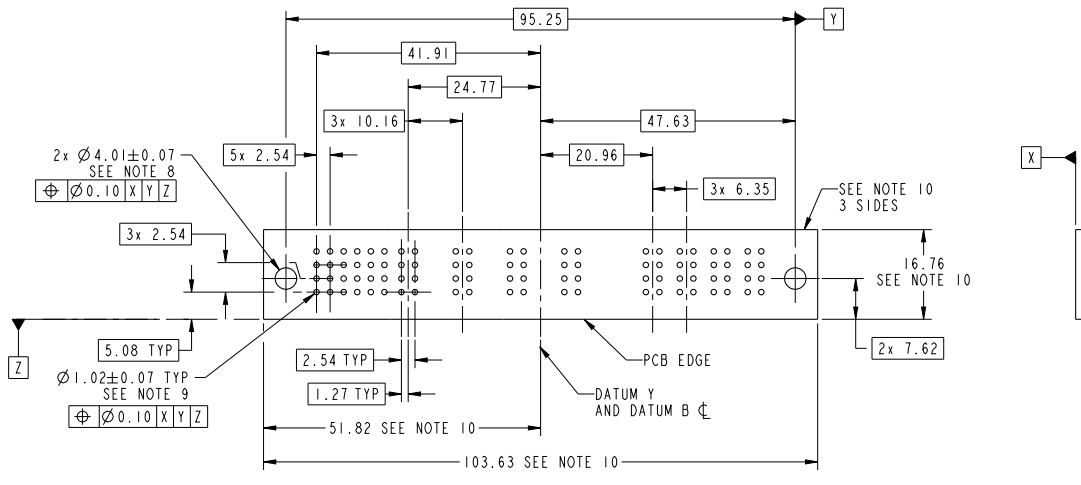
PDS: Rev :A

STATUS:Released

Printed: Feb 17, 2014

Copyright FCI.

PRODUCT NUMBER
51939-826-
NOTE: 3



RECOMMENDED PCB LAYOUT

dr	Luo Weller	2014/01/10	projection	MM	size	A4	scale	1:1
eng	Luo Weller	2014/02/16			ecn no	-	rel level	Released
chr	-	-			product family	PwrBlade		
appr	Pei-Ming Zheng	2014/02/16			part no	24S + 9DCP + 4P	dwg no	51939-826
							rev	A
www.fci.com			cat. no.		-		Product - Customer Drw	

Print File - REV C - 2009-08-09

Copyright FCI.



PRODUCT NUMBER
51939-826_.. NOTE: 3

NOTES:

1. DIMENSIONS AND TOLERANCES ARE IN ACCORDANCE WITH ASME Y14.5M, 1994 UNLESS OTHERWISE SPECIFIED.

CONNECTOR NOTES:

2. HOUSING MATERIAL: UL 94 V-0 GLASS FILLED HIGH-TEMP THERMOPLASTIC
POWER CONTACT MATERIAL: COPPER ALLOY
SIGNAL PIN MATERIAL: COPPER ALLOY

3. SEE ITEM 1 & 2 IN PRINT 10064183 FOR PLATING SPEC OF 51939-826 AND 51939-826LF RESPECTIVELY.

4. MANUFACTURER'S NAME, DATE CODE AND OPTIONAL P/N TO APPEAR ON THIS SURFACE. THE MARK CAN BE OMITTED IF THERE IS NOT ENOUGH SPACE ON THIS SURFACE.

5. PRODUCT SPECIFICATION GS-12-149.
APPLICATION SPECIFICATION BUS-20-067.

6. PACKAGED IN TRAYS.

PCB NOTES:

7. ALL HOLE DIAMETERS ARE FINISHED HOLE SIZE.

8. MOUNTING HOLES, WHERE APPLICABLE, ARE UNPLATED.

9. $\varnothing 1.151 \pm 0.025$ DRILLED HOLES PLATED WITH
0.008 MIN SnPb OR Sn OVER 0.03
TO 0.08 Cu PLATING TO ACHIEVE
 $\varnothing 1.02 \pm 0.07$ HOLE.

10. CONNECTOR KEEP-OUT ZONE.

dr	Luo Weller	2014/01/10	projection	MM	size	A4	scale	1:1		
eng	Luo Weller	2014/02/16			ecn no	-	rel level	Released		
chr	-	-	product family	PwrBlade						
appr	Pei-Ming Zheng	2014/02/16	title		24S + 9DCP + 4P	dwg no		51939-826	rev	A
www.fci.com			RIGHT ANGLE SOLDER HEADER		cat. no.		-	Product - Customer Drw	sheet 4 of 4	

Prod File - REV C - 2009-08-09



Copyright FCI.