

## Excellent Integrated System Limited

Stocking Distributor

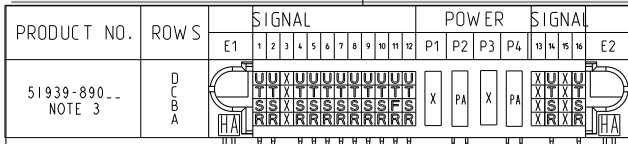
Click to view price, real time Inventory, Delivery & Lifecycle Information:

[FCI](#)

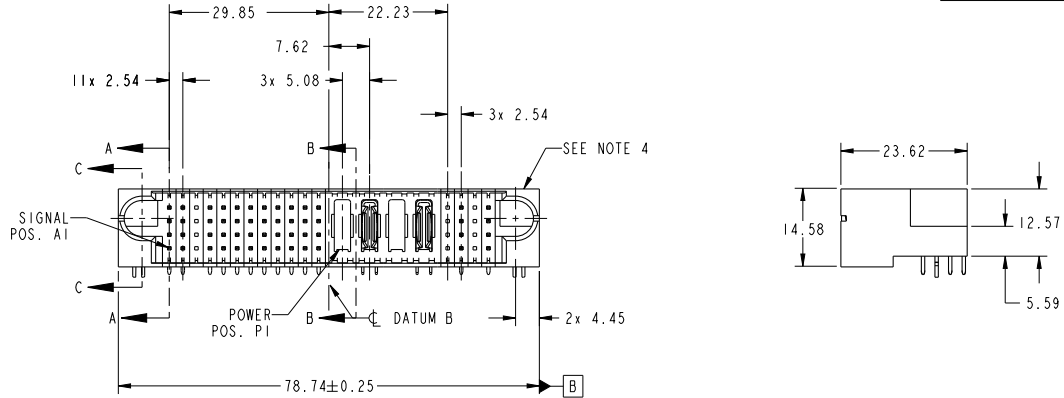
[51939-890LF](#)

For any questions, you can email us directly:

[sales@integrated-circuit.com](mailto:sales@integrated-circuit.com)



CODE	DIM "M" MATING LENGTH	CONTACT TYPE
U	[6.86]	SIGNAL
T	[6.86]	SIGNAL
S	[6.86]	SIGNAL
R	[6.86]	SIGNAL
F	[5.59]	SIGNAL
PA	[N/A]	POWER
HA	[N/A]	HOLD-DOWN
X	[N/A]	OMITTED



spec ref	*	dr	Ruan MT	2014/06/12	projection	MM	size	A4	scale	1:1											
tolerance std	SEE NOTE	eng	De-Ming Lu	2014/06/18			ec n no	-	rel level	Released											
surface	<table border="1"> <tr> <td>linear</td> <td>0.X</td> <td>±0.5</td> </tr> <tr> <td></td> <td>0.XX</td> <td>±0.25</td> </tr> <tr> <td></td> <td>0.XXX</td> <td>±0.1</td> </tr> <tr> <td>angular</td> <td>0°</td> <td>±2°</td> </tr> </table>	linear	0.X	±0.5				0.XX	±0.25		0.XXX	±0.1	angular	0°	±2°	chr	-	product family	PwrBlade	cat. no.	-
linear	0.X	±0.5																			
	0.XX	±0.25																			
	0.XXX	±0.1																			
angular	0°	±2°																			
appr	Pei-Ming Zheng	2014/06/18			part no	48S + 4DCP + 16S	cat. no.	-	Product - Customer Drw	sheet 1 of 4											
						RIGHT ANGLE SOLDER HEADER	cat. no.	-	Product - Customer Drw	sheet 1 of 4											
						www.fci.com	cat. no.	-	Product - Customer Drw	sheet 1 of 4											
						dwg no	51939-890	cat. no.	-	Product - Customer Drw											
						rev	A	cat. no.	-	Product - Customer Drw											

Print File - REV C - 2009-08-09

1

2

3

PDS: Rev :A

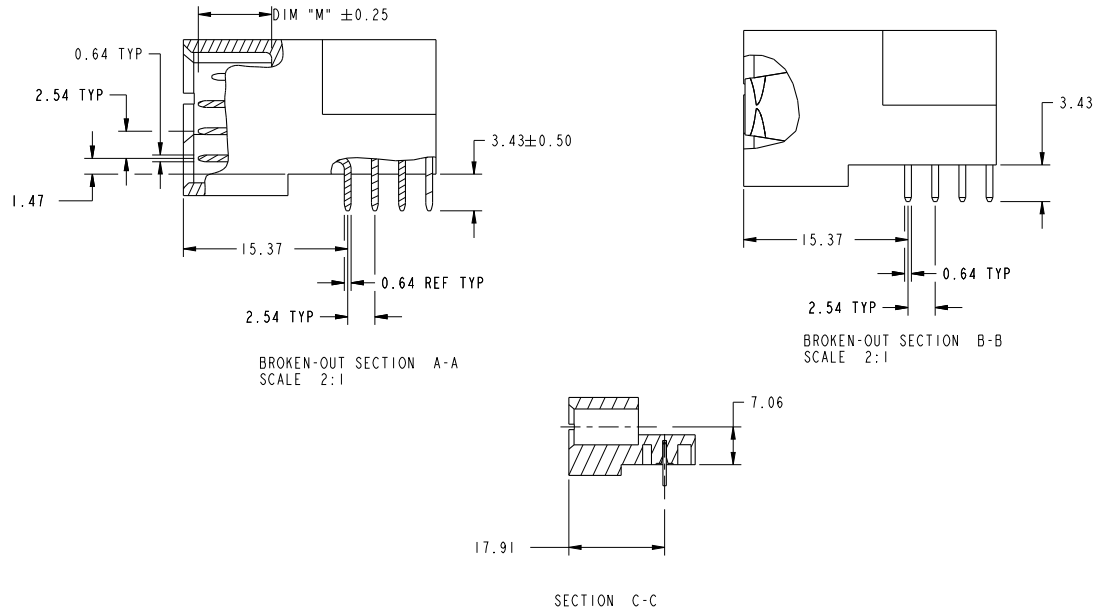
STATUS:Released

Printed: Jun 18, 2014



Copyright FCI.

PRODUCT NUMBER  
51939-890...  
NOTE: 3



dr	Ruan MT	2014/06/12	projection	MM	size	A4	scale	1:1
eng	De-Ming Lu	2014/06/18			ecn no	-	rel level	Released
chr	-	-			product family	PwrBlade		
appr	Pei-Ming Zheng	2014/06/18			title	48S + 4DCP + 16S		rev
www.fci.com					cat. no.	-	Product - Customer Drw	A
					dwg no	51939-890		sheet 2 of 4

Print File - REV C - 2009-06-09

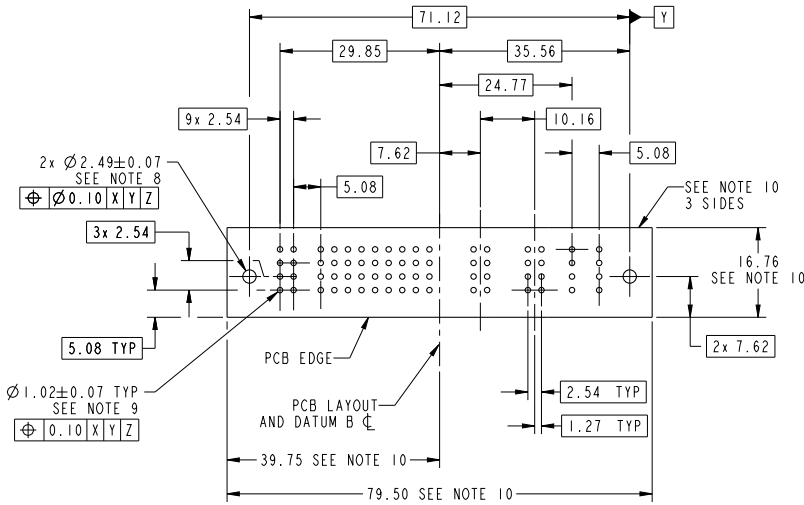
PDS: Rev :A

STATUS:Released

Printed: Jun 18, 2014

Copyright FCI.

PRODUCT NUMBER  
51939-890...  
NOTE: 3



RECOMMENDED PCB LAYOUT

dr	Ruan MT	2014/06/12	projection	MM	size	A4	scale	1:1
eng	De-Ming Lu	2014/06/18			ecn no	-	rel level	Released
chr	-	-			product family	PwrBlade		
appr	Pei-Ming Zheng	2014/06/18			48S + 4DCP + 16S RIGHT ANGLE SOLDER HEADER		www.fci.com	cat. no. -
					Product - Customer Drw	rel level	rev	A
					Product - Customer Drw	sheet 3 of 4		

Print File - REV C - 2009-06-09

1

2

3

PDS: Rev :A

STATUS:Released

Printed: Jun 18, 2014



Copyright FCI.

PRODUCT NUMBER

51939-890\_..  
NOTE: 3

NOTES:

1. DIMENSIONS AND TOLERANCES ARE IN ACCORDANCE WITH ASME Y14.5M, 1994 UNLESS OTHERWISE SPECIFIED.

CONNECTOR NOTES:

2. HOUSING MATERIAL: UL 94 V-0 GLASS FILLED HIGH-TEMP THERMOPLASTIC  
POWER CONTACT MATERIAL: COPPER ALLOY  
SIGNAL PIN MATERIAL: COPPER ALLOY

3. SEE ITEM 1 & 2 IN PRINT 10064183 FOR PLATING SPEC OF 51939-890 AND 51939-890LF RESPECTIVELY.

4. MANUFACTURER'S NAME, DATE CODE AND OPTIONAL P/N TO APPEAR ON THIS SURFACE. THE MARK CAN BE OMITTED IF THERE IS NOT ENOUGH SPACE ON THIS SURFACE.

5. PRODUCT SPECIFICATION GS-12-149.  
APPLICATION SPECIFICATION BUS-20-067.

6. PACKAGED IN TRAYS.

PCB NOTES:

7. ALL HOLE DIAMETERS ARE FINISHED HOLE SIZE.

8. MOUNTING HOLES, WHERE APPLICABLE, ARE UNPLATED.

9.  $\varnothing 1.151 \pm 0.025$  DRILLED HOLES PLATED WITH  
0.008 MIN SnPb OR Sn OVER 0.03  
TO 0.08 Cu PLATING TO ACHIEVE  
 $\varnothing 1.02 \pm 0.07$  HOLE.

10. CONNECTOR KEEP-OUT ZONE.

dr	Ruan MT	2014/06/12	projection		MM	size	A4	scale	1:1	
eng	De-Ming Lu	2014/06/18	chr			-	ecn no	-		
appr	Pei-Ming Zheng	2014/06/18	product family	PwrBlade		rel level	Released			
		title	48S + 4DCP + 16S RIGHT ANGLE SOLDER HEADER			dwg no	51939-890		rev	A
www.fci.com		cat. no.	-			Product - Customer Drw		sheet 4 of 4		

Print File - REV C - 2009-06-09



Copyright FCI.