

## Excellent Integrated System Limited

Stocking Distributor

Click to view price, real time Inventory, Delivery & Lifecycle Information:

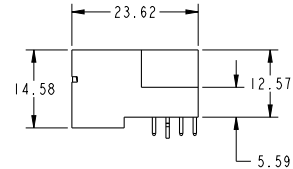
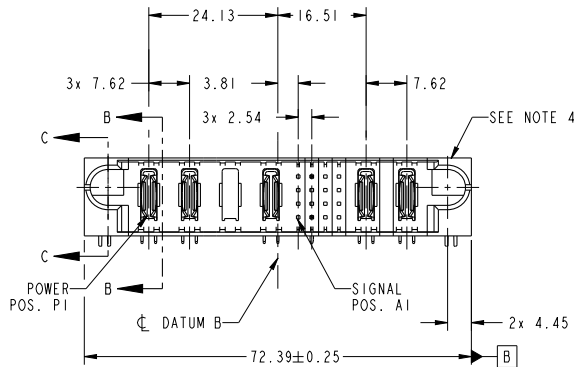
[FCI](#)

[51939-906LF](#)

For any questions, you can email us directly:

[sales@integrated-circuit.com](mailto:sales@integrated-circuit.com)

PRODUCT NO.	ROWS	POWER				SIGNAL				POWER			
		E1	P1	P2	P3	P4	1	2	3	4	P5	P6	E2
51939-906... NOTE 3	D C B A		PA	PA	X	PA	X	X	X	X	PA	PA	



CODE	DIM "M" MATING LENGTH	CONTACT TYPE
U	[6.86]	SIGNAL
R	[6.86]	SIGNAL
PA	[N/A]	POWER
HA	[N/A]	HOLD-DOWN
X	OMITTED	OMITTED

spec ref	*	dr	Ruan MT	2014/07/14	projection	MM	size	A4	scale	1:1	
tolerance std	ASME Y14.5	TOLERANCES UNLESS OTHERWISE SPECIFIED	eng	Ruan MT	2014/07/29		ecn no	-	rel level	Released	
surface	ASME Y14.5	linear	0.X	±0.5	0.XX	±0.25	0.XXX	±0.1	angular	0°	±2°
www.fci.com		4ACP+16S+2ACP		RIGHT ANGLE SOLDER HEADER		51939-906		rev		A	
cat. no.		-		Product - Customer Drw		sheet 1 of 4		PDS: Rev :A		STATUS:Released	Printed: Jul 30, 2014

Prod File - REV C - 2009-08-09

1

2

3

PDS: Rev :A

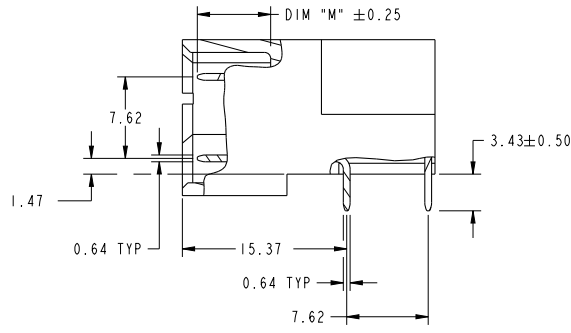
STATUS:Released

Printed: Jul 30, 2014

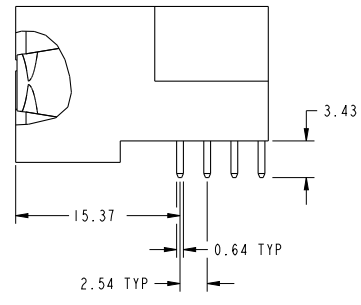
Copyright FCI.



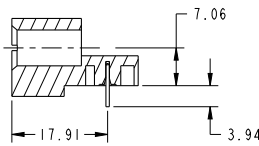
PRODUCT NUMBER  
51939-906...  
NOTE: 3



SECTION A-A  
SCALE 2:1



BROKEN-OUT SECTION B-B  
SCALE 2:1



SECTION C-C

dr	Ruan MT	2014/07/14	projection	MM	size	A4	scale	1:1
eng	Ruan MT	2014/07/29			ecn no	-	rel level	
chr	-	-			product family	PwrBlade	Released	
appr	Pei-Ming Zheng	2014/07/29				title	4ACP+16S+2ACP	rev
www.fci.com			cat. no.			-	Product - Customer Drw	sheet 2 of 4
			dwg no			51939-906	A	

Print File - REV C - 2009-06-09

PDS: Rev :A

STATUS:Released

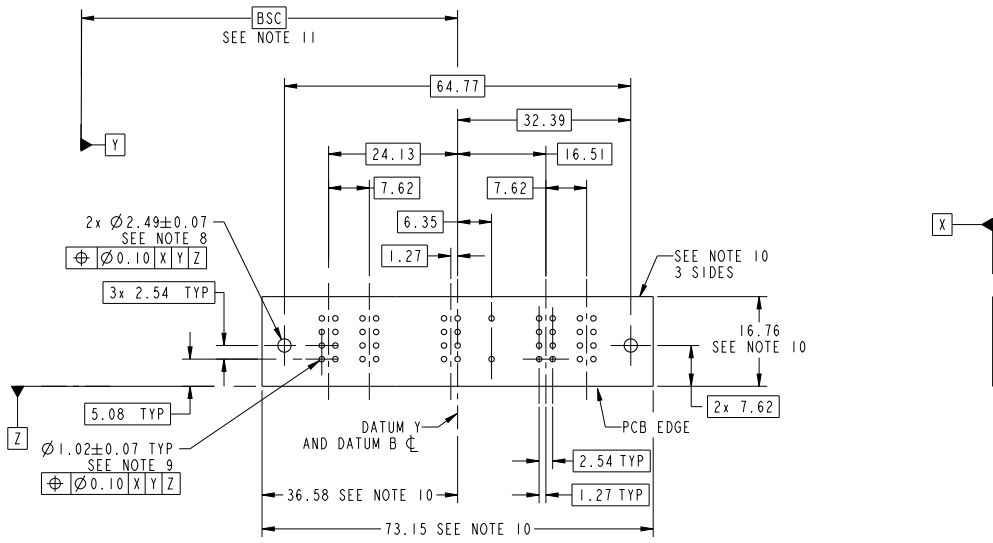
Printed: Jul 30, 2014



Copyright FCI.

PRODUCT NUMBER

51939-906...  
NOTE: 3



RECOMMENDED PCB LAYOUT

dr	Ruan MT	2014/07/14	projection	MM	size	A4	scale	1:1	
eng	Ruan MT	2014/07/29			ecn no	-	rel level	Released	
chr	-	-			product family	PwrBlade			
appr	Pei-Ming Zheng	2014/07/29				4ACP+16S+2ACP	rel level	Released	
www.fci.com						RIGHT ANGLE SOLDER HEADER	cat. no.	-	
			Product - Customer Drw			51939-906	Product - Customer Drw	rev	A
			PDS: Rev :A			STATUS:Released	sheet 3 of 4		



Copyright FCI.

PRODUCT NUMBER

51939-906\_  
NOTE: 3

NOTES:

1. DIMENSIONS AND TOLERANCES ARE IN ACCORDANCE WITH ASME Y14.5M, 1994 UNLESS OTHERWISE SPECIFIED.

CONNECTOR NOTES:

- 2. HOUSING MATERIAL: UL 94 V-0 GLASS FILLED HIGH-TEMP THERMOPLASTIC  
POWER CONTACT MATERIAL: COPPER ALLOY  
SIGNAL PIN MATERIAL: COPPER ALLOY
  - 3. SEE ITEM 1 & 2 IN PRINT 10064183 FOR PLATING SPEC OF 51939-906 AND 51939-906LF RESPECTIVELY.
  - 4. MANUFACTURER'S NAME, DATE CODE AND OPTIONAL P/N TO APPEAR ON THIS SURFACE. THE MARK CAN BE OMITTED IF THERE IS NOT ENOUGH SPACE ON THIS SURFACE.
  - 5. PRODUCT SPECIFICATION GS-12-149.  
APPLICATION SPECIFICATION BUS-20-067.
  - 6. PACKAGED IN TRAYS.
- PCB NOTES:
- 7. ALL HOLE DIAMETERS ARE FINISHED HOLE SIZE.
  - 8. MOUNTING HOLES, WHERE APPLICABLE, ARE UNPLATED.
  - 9.  $\varnothing 1.151 \pm 0.025$  DRILLED HOLES PLATED WITH 0.008 MIN SnPb OR Sn OVER 0.03 TO 0.08 Cu PLATING TO ACHIEVE  $\varnothing 1.02 \pm 0.07$  HOLE.
  - 10. CONNECTOR KEEP-OUT ZONE.
  - 11. DATUM AND BASIC DIMENSIONS ARE ESTABLISHED BY CUSTOMER.

dr	Ruan MT	2014/07/14	projection		MM	size	A4	scale	1:1	
eng	Ruan MT	2014/07/29	chr			-	ecn no	-		
appr	Pei-Ming Zheng	2014/07/29	product family	PwrBlade		rel level	Released			
		title	4ACP+16S+2ACP RIGHT ANGLE SOLDER HEADER			dwg no	51939-906		rev	A
www.fci.com		cat. no.	-			Product - Customer Drw		sheet 4 of 4		

Print File - REV C - 2009-08-09



Copyright FCI.