

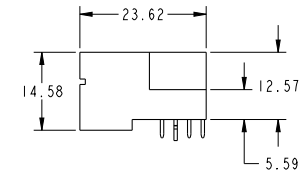
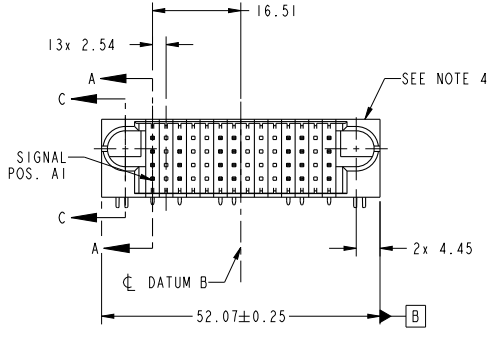
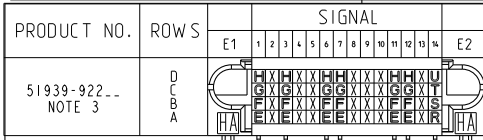
Excellent Integrated System Limited

Stocking Distributor

Click to view price, real time Inventory, Delivery & Lifecycle Information:

[FCI](#)
[51939-922LF](#)

For any questions, you can email us directly:
sales@integrated-circuit.com



CODE	DIM "M" MATING LENGTH	CONTACT TYPE
H	[5.59]	SIGNAL
G	[5.59]	SIGNAL
F	[5.59]	SIGNAL
E	[5.59]	SIGNAL
R	[6.86]	SIGNAL
S	[6.86]	SIGNAL
T	[6.86]	SIGNAL
U	[6.86]	SIGNAL
HA	[N/A]	HOLD-DOWN
X		OMITTED

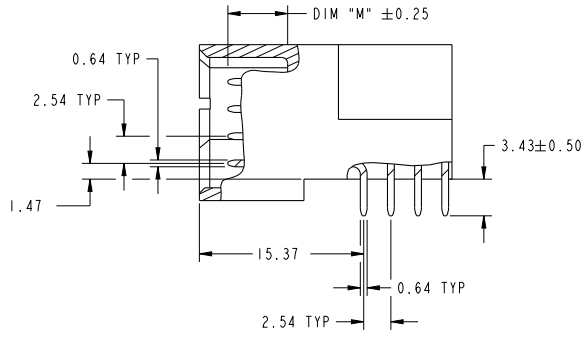
spec ref	*	dr	Ruan MT	2014/09/15	projection	MM	size	A4	scale	1:1
tolerance std	ASME Y14.5	eng	De-Ming Lu	2014/09/27			ecn no	-	rel level	Released
TOLERANCES UNLESS OTHERWISE SPECIFIED		chr	-	-			product family	PwrBlade	rev	A
surface	ASME Y14.5	appr	Pei-Ming Zheng	2014/09/27			56S	51939-922	sheet 1 of 4	
linear	0.X ±0.5	www.fci.com		cat. no.	-	Product - Customer Drw				
linear	0.XX ±0.25									
linear	0.XXX ±0.1									
angular	0° ±2°									



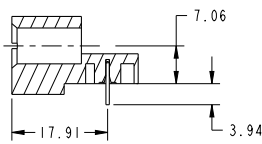
Copyright FCI.

Prod File - REV C - 2009-08-09

PRODUCT NUMBER
51939-922...
NOTE: 3



BROKEN-OUT SECTION A-A
SCALE 2:1



SECTION C-C

dr	Ruan MT	2014/09/15	projection	MM	size	A4	scale	1:1
eng	De-Ming Lu	2014/09/27			ecn no	-	rel level	
chr	-	-			product family	PwrBlade	Released	
appr	Pei-Ming Zheng	2014/09/27				cat. no.	56S	rev
						title	RIGHT ANGLE SOLDER HEADER	dwg no
						cat. no.	-	51939-922
						Product - Customer Drw	sheet 2 of 4	A

Print File : REV C - 2009-08-09

1

2

3

PDS: Rev :A

STATUS:Released

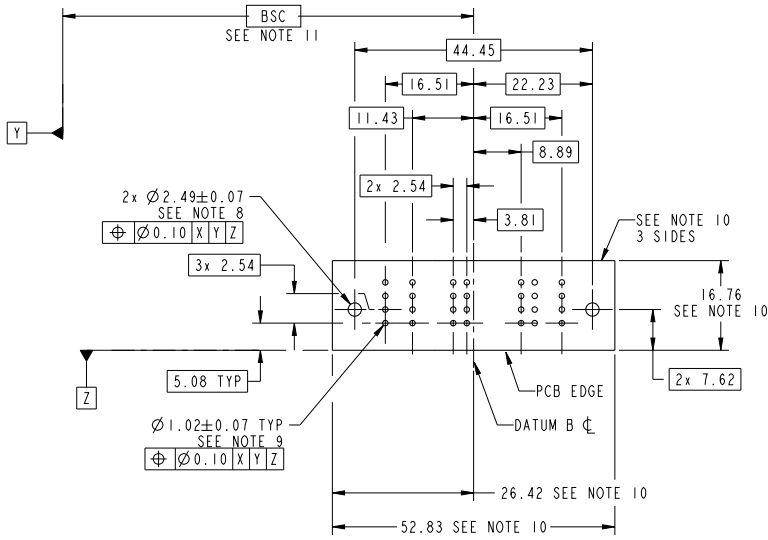
Printed: Sep 29, 2014



Copyright FCI.

PRODUCT NUMBER

51939-922-
NOTE: 3



RECOMMENDED PCB LAYOUT

dr	Ruan MT	2014/09/15	projection	MM	size	A4	scale	1:1	
eng	De-Ming Lu	2014/09/27			ecn no	-	rel level	Released	
chr	-	-			product family	PwrBlade			
appr	Pei-Ming Zheng	2014/09/27				56S	dwg no	51939-922	rev
www.fci.com			RIGHT ANGLE SOLDER HEADER			cat. no.		-	Product - Customer Drw
							sheet 3 of 4		

Print File: REV C - 2009-08-09

PDS: Rev :A

STATUS:Released

Printed: Sep 29, 2014

PRODUCT NUMBER

51939-922-
NOTE: 3

NOTES:

1. DIMENSIONS AND TOLERANCES ARE IN ACCORDANCE WITH ASME Y14.5M, 1994 UNLESS OTHERWISE SPECIFIED.

CONNECTOR NOTES:

- 2. HOUSING MATERIAL: UL 94 V-0 GLASS FILLED HIGH-TEMP THERMOPLASTIC
POWER CONTACT MATERIAL: COPPER ALLOY
SIGNAL PIN MATERIAL: COPPER ALLOY
 - 3. SEE ITEM 1 & 2 IN PRINT 10064183 FOR PLATING SPEC OF 51939-922 AND 51939-922LF RESPECTIVELY.
 - 4. MANUFACTURER'S NAME, DATE CODE AND OPTIONAL P/N TO APPEAR ON THIS SURFACE. THE MARK CAN BE OMITTED IF THERE IS NOT ENOUGH SPACE ON THIS SURFACE.
 - 5. PRODUCT SPECIFICATION GS-12-149.
APPLICATION SPECIFICATION BUS-20-067.
 - 6. PACKAGED IN TRAYS.
- PCB NOTES:**
- 7. ALL HOLE DIAMETERS ARE FINISHED HOLE SIZE.
 - 8. MOUNTING HOLES, WHERE APPLICABLE, ARE UNPLATED.
 - 9. $\varnothing 1.151 \pm 0.025$ DRILLED HOLES PLATED WITH 0.008 MIN SnPb OR Sn OVER 0.03 TO 0.08 Cu PLATING TO ACHIEVE $\varnothing 1.02 \pm 0.07$ HOLE.
 - 10. CONNECTOR KEEP-OUT ZONE.
 - 11. DATUM AND BASIC DIMENSIONS ARE ESTABLISHED BY CUSTOMER.

dr	Ruan MT	2014/09/15	projection		MM	size	A4	scale	1:1		
eng	De-Ming Lu	2014/09/27	ecn no			-					
chr	-	-	product family	PwrBlade	rel level	Released					
appr	Pei-Ming Zheng	2014/09/27			title	56S		dwg no	51939-922	rev	A
www.fci.com		cat. no.	-		Product - Customer Drw		sheet 4 of 4				

Print File - REV C - 2009-08-09



Copyright FCI.