

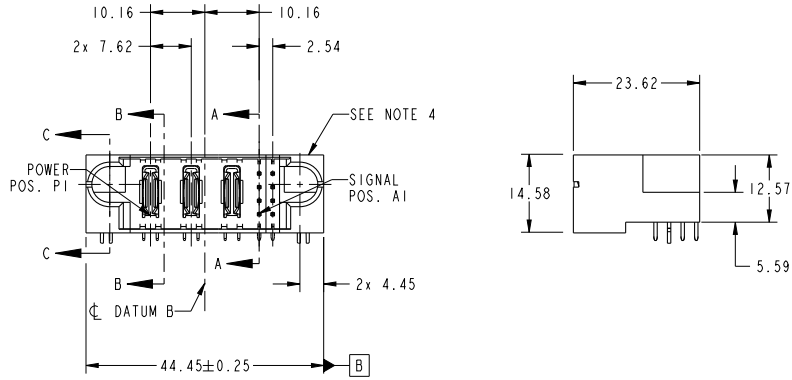
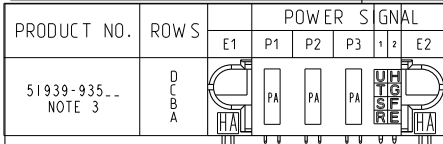
Excellent Integrated System Limited

Stocking Distributor

Click to view price, real time Inventory, Delivery & Lifecycle Information:

[FCI](#)
[51939-935LF](#)

For any questions, you can email us directly:
sales@integrated-circuit.com



CODE	DIM "M" MATING LENGTH	CONTACT TYPE
U	[6.86]	SIGNAL
T	[6.86]	SIGNAL
S	[6.86]	SIGNAL
R	[6.86]	SIGNAL
H	[5.59]	SIGNAL
G	[5.59]	SIGNAL
F	[5.59]	SIGNAL
E	[5.59]	SIGNAL
PA	[N/A]	POWER
HA	[N/A]	HOLD-DOWN

spec ref	*	dr	De-Ming Lu	2014/1/18	projection	MM	size	A4	scale	1:1
tolerance std	ASME Y14.5	eng	De-Ming Lu	2014/1/25		PwrBlade	ecp no	-	rel level	Released
TOLERANCES UNLESS OTHERWISE SPECIFIED		chr	-	-			product family	rel level	Released	
surface	linear	0.X	±0.5		3ACP + 8S	www.fci.com	cat. no.	-	Product - Customer Drw	sheet 1 of 4
		0.XX	±0.25							
		0.XXX	±0.1							
ASME Y14.5	angular	0°	±2°							

Print File: REV C - 2009-08-09

1

2

3

PDS: Rev :A

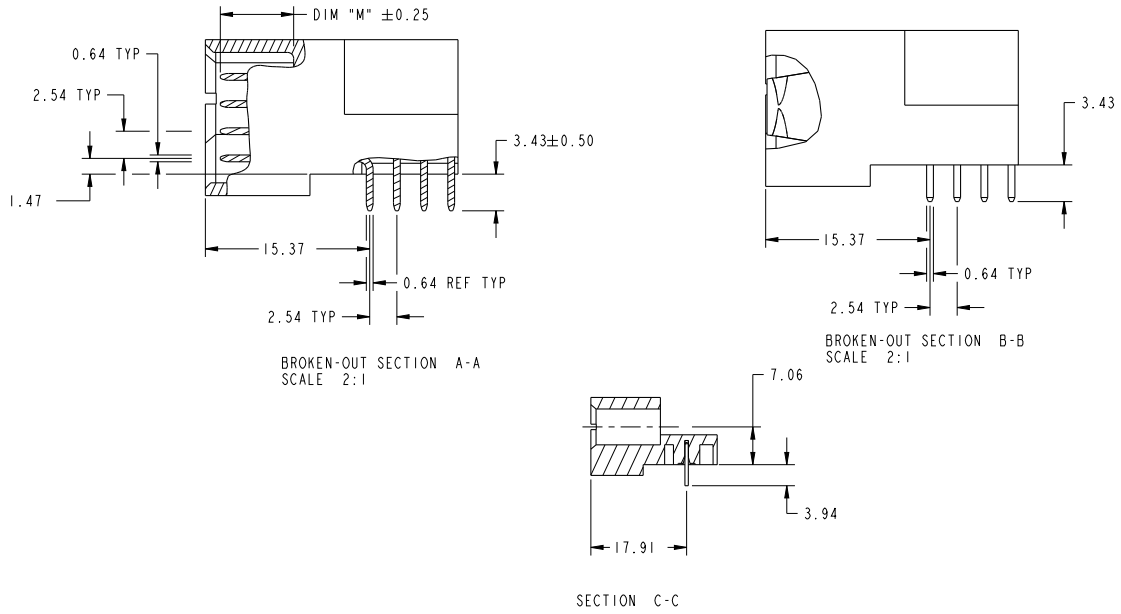
STATUS:Released

Printed: Nov 26, 2014



Copyright FCI.

PRODUCT NUMBER
51939-935...
NOTE: 3



dr	De-Ming Lu	2014/11/18	projection	MM	size	A4	scale	1:1
eng	De-Ming Lu	2014/11/25			ecn no	-	rel level	
chr	-	-			product family	PwrBlade	Released	
appr	Pei-Ming Zheng	2014/11/25				dwg no	51939-935	rev
www.fci.com			title 3ACP + 8S RIGHT ANGLE SOLDER HEADER			cat. no. - Product - Customer Drw sheet 2 of 4		

Print File - REV C - 2009-06-09

PDS: Rev :A

STATUS:Released

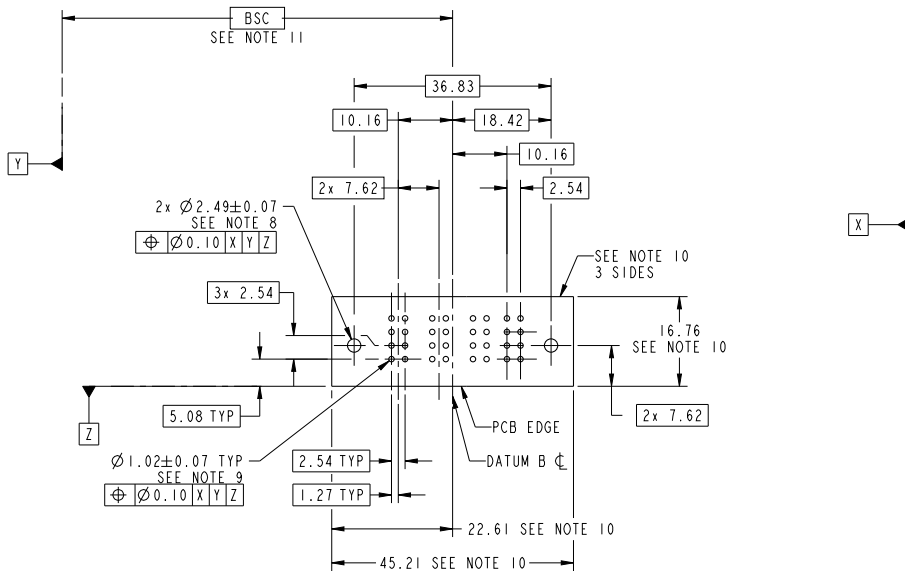
Printed: Nov 26, 2014



Copyright FCI.

PRODUCT NUMBER

51939-935_
NOTE: 3



RECOMMENDED PCB LAYOUT

dr	De-Ming Lu	2014/11/18	projection	MM	size	A4	scale	1:1
eng	De-Ming Lu	2014/11/25			ecn no	-		
chr	-	-	product family		PwrBlade	rel level	Released	
appr	Pei-Ming Zheng	2014/11/25	www.fci.com		3ACP + 8S	dwg no	51939-935	rev
			RIGHT ANGLE SOLDER HEADER					A
			cat. no.	-	Product - Customer Drw	sheet	3 of 4	

Print File - REV C - 2009-08-09

PDS: Rev :A

STATUS:Released

Printed: Nov 26, 2014



Copyright FCI.

PRODUCT NUMBER

51939-935_..
NOTE: 3

NOTES:

1. DIMENSIONS AND TOLERANCES ARE IN ACCORDANCE WITH ASME Y14.5M, 1994 UNLESS OTHERWISE SPECIFIED.

CONNECTOR NOTES:

- 2. HOUSING MATERIAL: UL 94 V-0 GLASS FILLED HIGH-TEMP THERMOPLASTIC
POWER CONTACT MATERIAL: COPPER ALLOY
SIGNAL PIN MATERIAL: COPPER ALLOY
 - 3. SEE ITEM 1 & 2 IN PRINT 10064183 FOR PLATING SPEC OF 51939-935 AND 51939-935LF RESPECTIVELY.
 - 4. MANUFACTURER'S NAME, DATE CODE AND OPTIONAL P/N TO APPEAR ON THIS SURFACE. THE MARK CAN BE OMITTED IF THERE IS NOT ENOUGH SPACE ON THIS SURFACE.
 - 5. PRODUCT SPECIFICATION GS-12-149.
APPLICATION SPECIFICATION BUS-20-067.
 - 6. PACKAGED IN TRAYS.
- PCB NOTES:**
- 7. ALL HOLE DIAMETERS ARE FINISHED HOLE SIZE.
 - 8. MOUNTING HOLES, WHERE APPLICABLE, ARE UNPLATED.
 - 9. $\varnothing 1.151 \pm 0.025$ DRILLED HOLES PLATED WITH 0.008 MIN SnPb OR Sn OVER 0.03 TO 0.08 Cu PLATING TO ACHIEVE $\varnothing 1.02 \pm 0.07$ HOLE.
 - 10. CONNECTOR KEEP-OUT ZONE.
 - 11. DATUM AND BASIC DIMENSIONS ARE ESTABLISHED BY CUSTOMER.

dr	De-Ming Lu	2014/11/18	projection			size	scale
eng	De-Ming Lu	2014/11/25	ecn no			A4	1:1
chr	-	-	product family	PwrBlade	rel level	Released	
appr	Pei-Ming Zheng	2014/11/25					
			3ACP + 8S RIGHT ANGLE SOLDER HEADER		dwg no 51939-935	rev A	
www.fci.com			cat. no.	-	Product - Customer Drw	sheet 4 of 4	

Print File - REV C - 2009-08-09



Copyright FCI.