

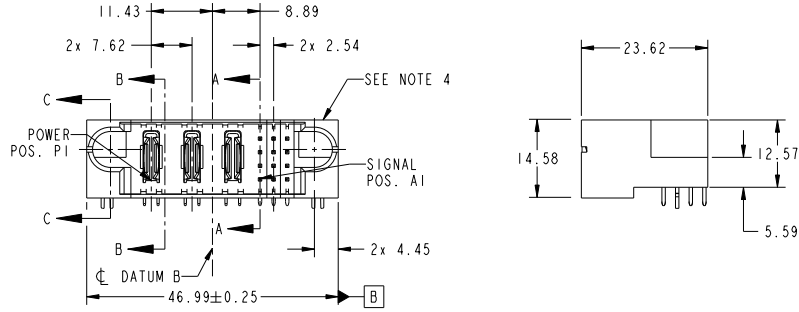
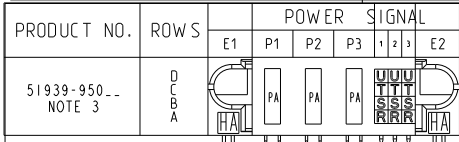
Excellent Integrated System Limited

Stocking Distributor

Click to view price, real time Inventory, Delivery & Lifecycle Information:

[FCI](#)
[51939-950LF](#)

For any questions, you can email us directly:
sales@integrated-circuit.com



CODE	DIM "M" MATING LENGTH	CONTACT TYPE
U	[6.86]	SIGNAL
T	[6.86]	SIGNAL
S	[6.86]	SIGNAL
R	[6.86]	SIGNAL
PA	[N/A]	POWER
HA	[N/A]	HOLD-DOWN

spec ref	*	dr	Luo Weller	2014/12/26	projection	MM	size	A4	scale	1:1			
tolerance std	ASME Y14.5	TOLERANCES UNLESS OTHERWISE SPECIFIED	eng	Luo Weller	2015/01/12		ec n no	-	rel level	Released			
surface	ASME Y14.5	linear	0.X	±0.5	appr		Pei-Ming Zheng	2015/01/12	product family	PwrBlade	dwg no	51939-950	rev
		angular	0°	±0.1									
		www.fci.com		3ACP + 12S		RIGHT ANGLE SOLDER HEADER		cat. no.		-	Product - Customer Drw		sheet 1 of 4

PwrBlade - REV C - 2009-06-09

1

2

3

PDS: Rev :A

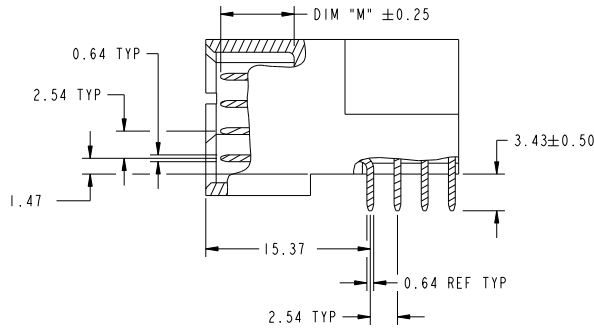
STATUS:Released

Printed: Jan 13, 2015

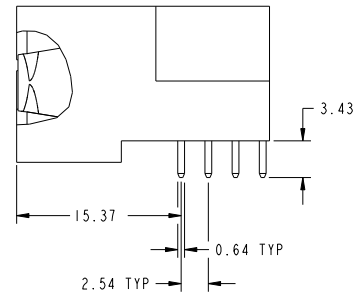


Copyright FCI.

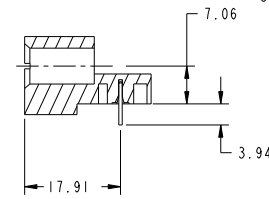
PRODUCT NUMBER
51939-950_
NOTE: 3



BROKEN-OUT SECTION A-A
SCALE 2:1



BROKEN-OUT SECTION B-B
SCALE 2:1



SECTION C-C

dr	Luo Weller	2014/12/26	projection	MM	size	A4	scale	1:1		
eng	Luo Weller	2015/01/12			ecn no	-				
chr	-	-	product family	PwrBlade	rel level	Released				
appr	Pei-Ming Zheng	2015/01/12			title	3ACP + 12S		dwg no	51939-950	
www.fci.com			cat. no.		-		Product - Customer Drw		rev	A
							sheet 2 of 4			

Part File : REV C - 2015-01-09

1

2

3

PDS: Rev :A

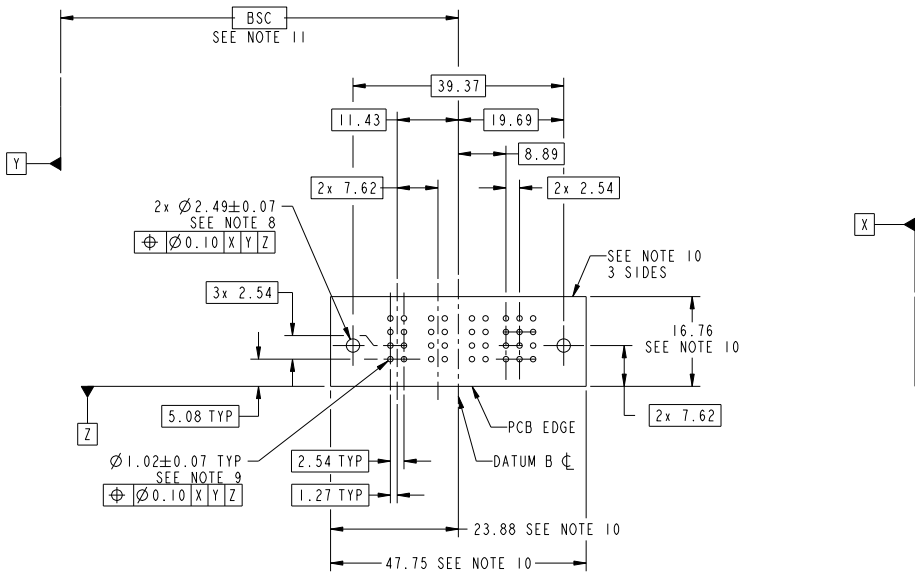
STATUS:Released

Printed: Jan 13, 2015



Copyright FCI.

PRODUCT NUMBER
51939-950...
NOTE: 3



RECOMMENDED PCB LAYOUT

dr	Luo Weller	2014/12/26	projection	MM	size	A4	scale	1:1
eng	Luo Weller	2015/01/12			ecn no	-		
chr	-	-	product family	PwrBlade	rel level	Released		
appr	Pei-Ming Zheng	2015/01/12			cat. no.	3ACP + 12S	dwg no	51939-950
			RIGHT ANGLE SOLDER HEADER		rev	A		
www.fci.com			Product - Customer Drw		sheet 3 of 4			

Part File: REV C - 2015-01-09

1

2

3

PDS: Rev :A

STATUS:Released

Printed: Jan 13, 2015



Copyright FCI.

PRODUCT NUMBER

51939-950_..
NOTE: 3

NOTES:

1. DIMENSIONS AND TOLERANCES ARE IN ACCORDANCE WITH ASME Y14.5M, 1994 UNLESS OTHERWISE SPECIFIED.

CONNECTOR NOTES:

- 2. HOUSING MATERIAL: UL 94 V-0 GLASS FILLED HIGH-TEMP THERMOPLASTIC
POWER CONTACT MATERIAL: COPPER ALLOY
SIGNAL PIN MATERIAL: COPPER ALLOY
 - 3. SEE ITEM 1 & 2 IN PRINT 10064183 FOR PLATING SPEC OF 51939-950 AND 51939-950LF RESPECTIVELY.
 - 4. MANUFACTURER'S NAME, DATE CODE AND OPTIONAL P/N TO APPEAR ON THIS SURFACE. THE MARK CAN BE OMITTED IF THERE IS NOT ENOUGH SPACE ON THIS SURFACE.
 - 5. PRODUCT SPECIFICATION GS-12-149.
APPLICATION SPECIFICATION BUS-20-067.
 - 6. PACKAGED IN TRAYS.
- PCB NOTES:**
- 7. ALL HOLE DIAMETERS ARE FINISHED HOLE SIZE.
 - 8. MOUNTING HOLES, WHERE APPLICABLE, ARE UNPLATED.
 - 9. $\varnothing 1.151 \pm 0.025$ DRILLED HOLES PLATED WITH 0.008 MIN SnPb OR Sn OVER 0.03 TO 0.08 Cu PLATING TO ACHIEVE $\varnothing 1.02 \pm 0.07$ HOLE.
 - 10. CONNECTOR KEEP-OUT ZONE.
 - 11. DATUM AND BASIC DIMENSIONS ARE ESTABLISHED BY CUSTOMER.

dr	Luo Weller	2014/12/26	projection	MM	size	A4	scale	1:1			
eng	Luo Weller	2015/01/12				ec n no	-				
chr	-	-	product family	PwrBlade		rel level	Released				
appr	Pei-Ming Zheng	2015/01/12			title	3ACP + 12S		dwg no	51939-950	rev	A
www.fci.com		cat. no.	-		Product - Customer Drw		sheet 4 of 4				

Part File - REV C - 2015-01-09



Copyright FCI.