

## Excellent Integrated System Limited

Stocking Distributor

Click to view price, real time Inventory, Delivery & Lifecycle Information:

[FCI](#)  
[51940-034](#)

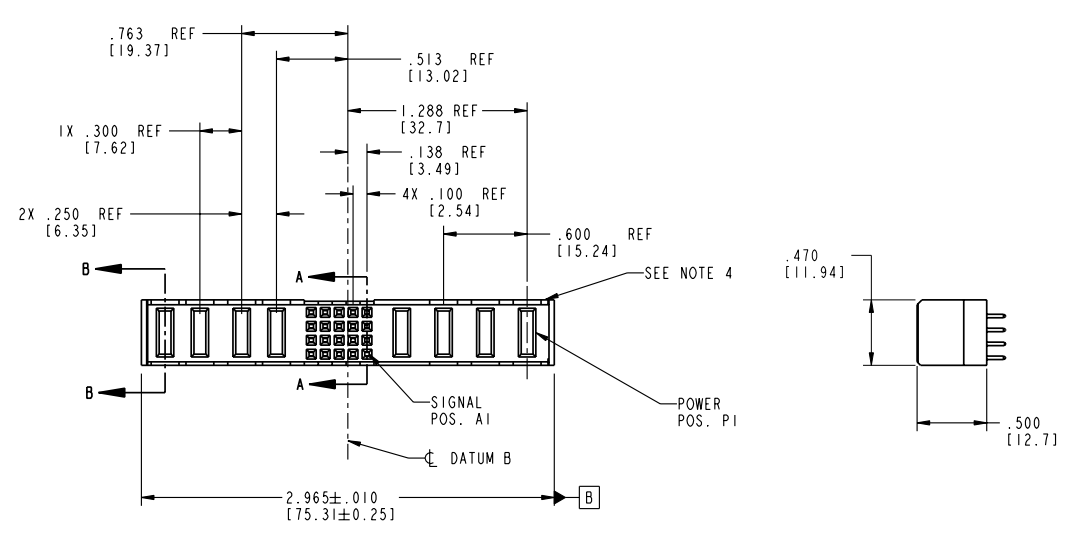
For any questions, you can email us directly:  
[sales@integrated-circuit.com](mailto:sales@integrated-circuit.com)

Tous droits strictement réservés. Reproduction ou communication à des tiers interdite sous quelque forme que ce soit sans autorisation écrite du propriétaire. Propriété de FCI. Droits de reproduction FCI.

**FCI**

All rights strictly reserved. Reproduction or issue to third parties in any form whatsoever is not permitted without written authority from the proprietor. Property of FCI. Copyright FCI.

PRODUCT NO.	ROWS	POWER				SIGNAL				POWER				
		P8	P7	P6	P5	5	4	3	2	1	P4	P3	P2	P1
51940-034	D C B A	PA	PA	PA	PA	E	E	E	E	E	E	E	E	E



CODE	DIM "M" MATING LENGTH	CONTACT TYPE
PA	.042 [1.07]	POWER
E	N/A [N/A]	SIGNAL
X	OMITTED	OMITTED

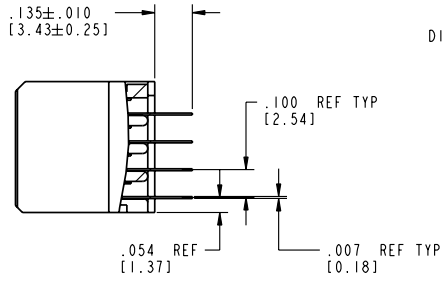
mat'l code		SEE NOTE 2	tolerances unless otherwise specified		CUSTOMER	 www.fciconnect.com
lfr	ecn no.	dr	date	linear	COPY	
A	V03-0294	MEM	3/11/03	$XX \pm .01/0.X \pm 0.3$	projection	title <b>4ACP + 20S + 4P</b> <b>VERTICAL SOLDER RECEPT</b>
				angles		product family PwrBlade
				dr	W. MOSTOLLER 3/11/03	code 213
				engr	W. MOSTOLLER 3/11/03	sheet 1 of 4
				ctr	H. BREWBANKER 3/11/03	
				appd	W. MOSTOLLER 3/11/03	
sheet index	revision sheet	A	A	A	A	
		1	2	3	4	

Pro/E 3 4  
 cage code 22526

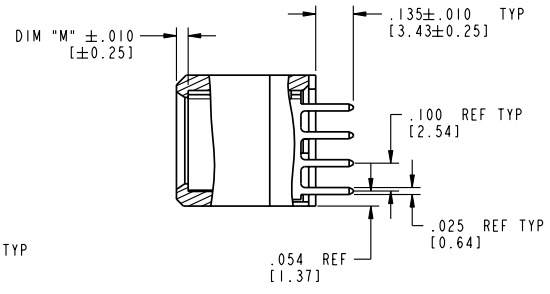
Tous droits strictement réservés. Reproduction ou communication a des tiers interale sous quelque forme que ce soit sans autorisation écrite du propriétaire. Propriété de c FCI. Droits de reproduction FCI.

All rights strictly reserved. Reproduction or issue to third parties in any form whatever is not permitted without written authority from the proprietor. Property of FCI. Copyright FCI.

PRODUCT NUMBER  
**51940-034**



SECTION A-A  
SCALE 2:1



SECTION B-B  
SCALE 2:1

mat'l code				SEE NOTE 2		tolerances unless otherwise specified		CUSTOMER		 www.fciconnect.com	
lfr	ecn no.	dr	date	linear	$.XX\pm .01/0.X\pm 0.3$ $.XXX\pm .005/0.XX\pm 0.13$ $.XXX\pm .002/0.XXX\pm 0.051$	projection	COPY		title		
A				angles	$0^{\circ} \pm C^{\circ}$				<b>4ACP + 20S + 4P</b> <b>VERTICAL SOLDER RECEPT</b>		
				dr	W. MOSTOLLER 3/11/03	INCH/MM	product family		PwrBlade code		
				engr	W. MOSTOLLER 3/11/03	scale	size		dwg no		213
				ctr	W. BREWBANKER 3/11/03	1:1	A		51940-034		sheet 2 of 4
				appd	W. MOSTOLLER 3/11/03						
sheet index	revision sheet										

Pro/E

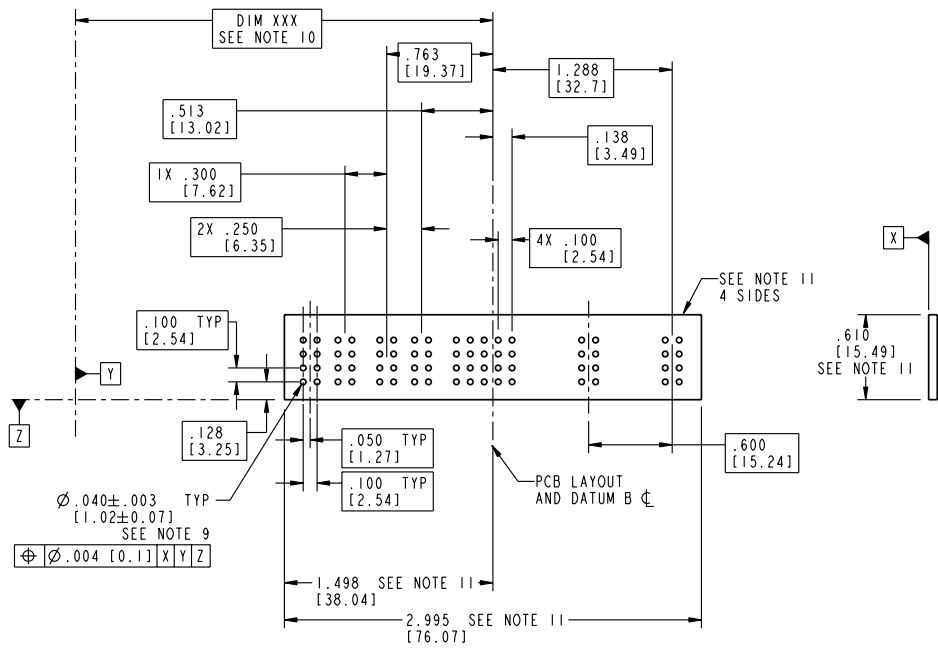
cage code **22526**

Tous droits strictement réservés. Reproduction ou communication à des tiers interdite sans quelque forme que ce soit sans autorisation écrite du propriétaire. Propriété de FCI. Droits de reproduction FCI.

**FCI**

All rights strictly reserved. Reproduction or issue to third parties in any form whatsoever is not permitted without written authority from the proprietor. Property of FCI. Copyright FCI.

PRODUCT NUMBER  
**51940-034**



mat'l code		SEE NOTE 2	tolerances unless otherwise specified		CUSTOMER	 www.fciconnect.com
lfr	ecn no.	dr	date	linear	COPY	
A				$XX \pm .01/0.X \pm 0.3$	projection	4ACP + 20S + 4P
				$XXX \pm .005/0.XX \pm 0.13$		VERTICAL SOLDER RECEPT
				angles	$0 \pm C$	product family
				dr	W. MOSTOLLER 3/11/03	PwrBlade
				engr	W. MOSTOLLER 3/11/03	code
				ctr	H. BREWAKER 3/11/03	213
				appd	W. MOSTOLLER 3/11/03	sheet
						3 of 4
sheet index	revision sheet					

Pro/E

cage code 22526

PDM: Rev:A

STATUS: Released

Printed: Dec 20, 2010

Tous droits strictement reserves. Reproduction ou communication a des tiers interale sous quelque forme que ce soit sans autorisation ecrite du proprietaire. Propriete de c FCI. Droits de reproduction FCI.


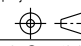

**FCI**

All rights strictly reserved. Reproduction or issue to third parties in any form whatever is not permitted without written authority from the proprietor. Property of FCI. Copyright FCI.

PRODUCT NUMBER  
**51940-034**

NOTES:

1. DIMENSIONS AND TOLERANCES ARE IN ACCORDANCE WITH ASME Y14.5M, 1994 UNLESS OTHERWISE SPECIFIED.
- CONNECTOR NOTES:
- ② HOUSING MATERIAL: UL 94 V-0 GLASS FILLED  
HIGH-TEMP THERMOPLASTIC  
POWER CONTACT MATERIAL: COPPER ALLOY  
SIGNAL PIN MATERIAL: COPPER ALLOY
3. PLATING:  
SIGNAL PINS: 30u"/0.76um Au OVER 50u"/1.27um Ni  
POWER CONTACTS: 50u"/1.27um Ni UNDER ALL WITH 30u"/0.76um Au ON CONTACT AREA AND SnPb ON PCB INTERFACE
- ④ MANUFACTURER'S NAME, P/N, AND DATE CODE TO APPEAR ON THIS SURFACE.
5. PRODUCT SPECIFICATION GS-12-149.  
APPLICATION SPECIFICATION BUS-20-067.
6. PACKAGED IN TRAYS.
- PCB NOTES:
7. ALL HOLE DIAMETERS ARE FINISHED HOLE SIZE.
- ⑧ MOUNTING HOLES, WHERE APPLICABLE, ARE UNPLATED.
- ⑨  $\varnothing .0453 \pm .0010$  [1.151 ± 0.025] DRILLED HOLES PLATED WITH .0003 [0.008] MIN SnPb OVER .001 [0.03] TO .003 [0.08] Cu PLATING TO ACHIEVE  $\varnothing .040 \pm .003$  [1.02 ± .07] HOLE.
- ⑩ "DIM XXX" TO BE DETERMINED BY THE CUSTOMER.
- ⑪ CONNECTOR KEEP-OUT ZONE.

mat'l code				SEE NOTE 2		tolerances unless otherwise specified		CUSTOMER		 www.fciconnect.com	
lfr	ecn no.	dr	date	linear		$XX \pm .01 / 0.X \pm 0.3$ $XXX \pm .005 / 0.XX \pm 0.13$ $XXXX \pm .0020 / 0.XXX \pm 0.051$		COPY		 title	
A				angles		$0 \pm C$		 product family		PwrBlade code 213	
				dr	W. MOSTOLLER	3/11/03		INCH/MM scale		size 51940-034	
				engr	W. MOSTOLLER	3/11/03		1:1		sheet 4 of 4	
				ctr	H. BREWBANKER	3/11/03					
				appd	W. MOSTOLLER	3/11/03					
sheet index	revision sheet										

Pro/E

cage code 22526