

Excellent Integrated System Limited

Stocking Distributor

Click to view price, real time Inventory, Delivery & Lifecycle Information:

[FCI](#)
[51940-084](#)

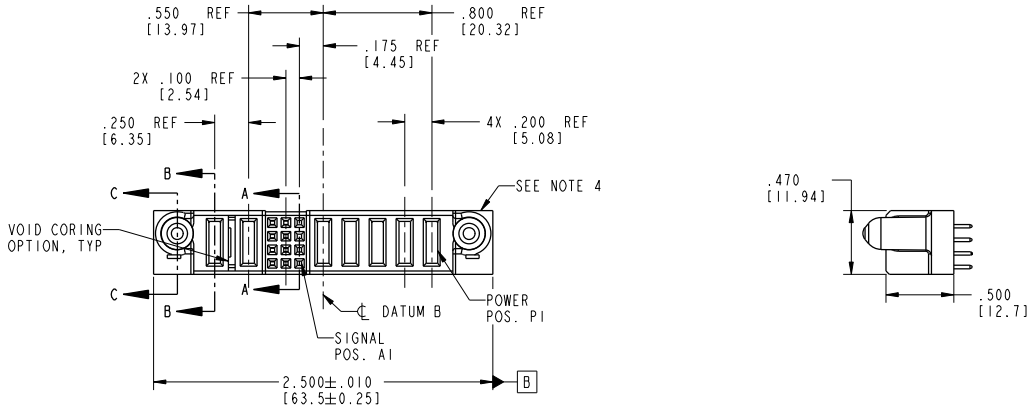
For any questions, you can email us directly:
sales@integrated-circuit.com

Tous droits strictement réservés. Reproduction ou communication à des tiers interdite sans l'autorisation écrite du propriétaire. Propriété de c FCI. Droits de reproduction FCI.



All rights strictly reserved. Reproduction or issue to third parties in any form without written authority from the proprietor. Property of FCI. Copyright FCI.

PRODUCT NO.	ROWS	POWER		SIGNAL				POWER				E1	
		E2	P7	P6	3	2	1	P5	P4	P3	P2		P1
51940-084... NOTE 3	D C B A												



CODE	DIM "M" MATING LENGTH	CONTACT TYPE
E	N/A [N/A]	SIGNAL
PA	.042 [1.07]	POWER
PD	.092 [2.34]	POWER
X	OMITTED	OMITTED

mat'l code		SEE NOTE 2	tolerances unless otherwise specified	CUSTOMER	FCI	www.fciconnect.com
itr	ecm no.	dr	date	linear	projection	COPY
A	V04-0292	TAB	03/26/04	.XX±.01/0.X±0.3		title
B	DG06-0558	RYAN	12/25/06	.XXY±.005/0.XY±0.13		5P + 12S + 2P
				.XXY±.002/0.XY±0.051		VERTICAL SOLDER RECEPT
				angles		product family
				dr		PwrBlade
				eng		code
				chr		213
				appd		sheet
						1 of 4
sheet index	revision sheet	B	B	B	B	scale
		1	2	3	4	1:1
						size
						A
						dwg no
						51940-084
						cage code
						22526

Pro/E

3 |

cage code 22526

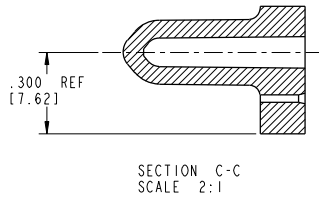
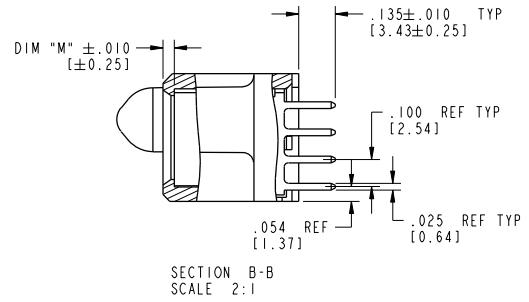
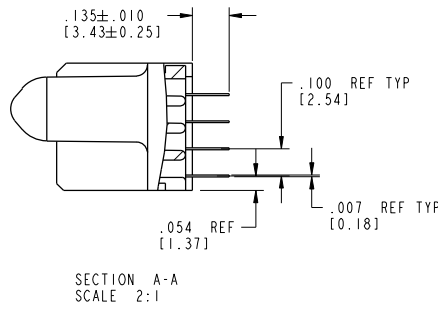
4

Tous droits strictement réservés. Reproduction ou communication à des tiers interdite sous quelque forme que ce soit sans autorisation écrite du propriétaire. Propriété de c FCI. Droits de reproduction FCI.



All rights strictly reserved. Reproduction or issue to third parties in any form whatever is not permitted without written authority from the proprietor. Property of FCI. Copyright FCI.

PRODUCT NUMBER
51940-084
NOTE 3



mat'l code				SEE NOTE 2	tolerances unless otherwise specified		CUSTOMER		FCI		www.fciconnect.com	
itr	ecm no.	dr	date	linear	.XX±.01/0.X±0.3	projection	COPY	title		code		
B				linear	.XX±.005/0.X±0.13	projection		5P + 12S + 2P		213		
				angles	.XX±.002/0.X±0.051	projection		VERTICAL SOLDER RECEPT		sheet		
				dr	T. BRUNGARD 03/26/04	projection	INCH/MM	product family		2 of 4		
				eng	M. GRAY 03/26/04	projection		PwrBlade				
				chr	M. GRAY 03/26/04	projection	scale	size				
				appd	M. GRAY 03/26/04	projection	1:1	A				
sheet index	revision sheet							51940-084				

Pro/E

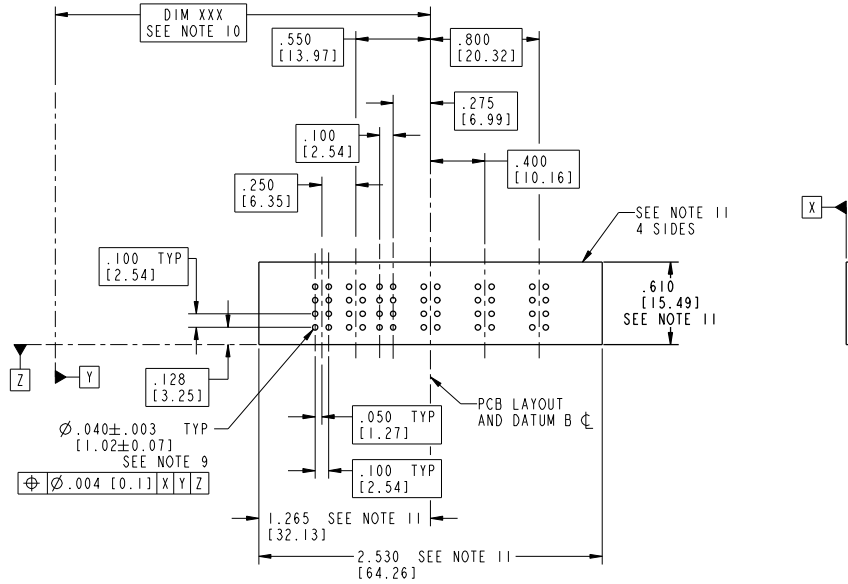
cage code 22526

Tous droits strictement réservés. Reproduction ou communication à des tiers interdite sous quelque forme que ce soit sans autorisation écrite du propriétaire. Propriété de c FCI. Droits de reproduction FCI.



All rights strictly reserved. Reproduction or issue to third parties in any form whatever is not permitted without written authority from the proprietor. Property of FCI. Copyright FCI.

PRODUCT NUMBER
51940-084..
NOTE 3



mat'l code		SEE NOTE 2		tolerances unless otherwise specified		CUSTOMER		www.fciconnect.com	
itr	ecm no.	dr	date	linear	.XX±.01/0.X±0.3	projection	COPY	title	5P + 12S + 2P
B				angles	.XXY±.005/0.XY±0.13			VERTICAL SOLDER RECEPT	
				dr	.XXY±.002/0.XY±0.051		INCH/MM	product family	PwrBlade
				eng	0°±7°	scale	1:1	size	dwg no
				chr				A	51940-084
				appd				code	213
sheet index	revision sheet							sheet	3 of 4

Pro/E

cage code 22526

Tous droits strictement réservés. Reproduction ou communication à des tiers interdite sous quelque forme que ce soit sans autorisation écrite du propriétaire. Propriété de c FCI. Droits de reproduction FCI.



All rights strictly reserved. Reproduction or issue to third parties in any form whatever is not permitted without written authority from the proprietor. Property of FCI. Copyright FCI.

PRODUCT NUMBER
51940-084 _ _ NOTE 3

NOTES:

1. DIMENSIONS AND TOLERANCES ARE IN ACCORDANCE WITH ASME Y14.5M, 1994 UNLESS OTHERWISE SPECIFIED.

CONNECTOR NOTES:

- ② HOUSING MATERIAL: UL 94 V-0 GLASS FILLED HIGH-TEMP THERMOPLASTIC
POWER CONTACT MATERIAL: COPPER ALLOY
SIGNAL PIN MATERIAL: COPPER ALLOY
- 3. PLATING:
SEE PRINT 10064183 FOR PLATING SPEC OF 51940-084; 51940-084LF

④ MANUFACTURER'S NAME, P/N, AND DATE CODE TO APPEAR ON THIS SURFACE.

5. PRODUCT SPECIFICATION GS-12-149.
APPLICATION SPECIFICATION BUS-20-067.

6. PACKAGED IN TRAYS.

PCB NOTES:

- 7. ALL HOLE DIAMETERS ARE FINISHED HOLE SIZE.
- ⑧ MOUNTING HOLES, WHERE APPLICABLE, ARE UNPLATED.
- ⑨ $\varnothing .0453 \pm .0010$ [1.151 ± 0.025] DRILLED HOLES PLATED WITH .0003 [0.008] MIN SnPb OVER .001 [0.03] TO .003 [0.08] Cu PLATING TO ACHIEVE $\varnothing .040 \pm .003$ [1.02 ± .07] HOLE.
- ⑩ "DIM XXX" TO BE DETERMINED BY THE CUSTOMER.
- ⑪ CONNECTOR KEEP-OUT ZONE.

mat'l code		SEE NOTE 2		tolerances unless otherwise specified		CUSTOMER		www.fciconnect.com	
itr	ecm no.	dr	date	linear	projection	COPY		title	
B				.XXI ± .005/0.XX ± 0.13		5P + 12S + 2P		VERTICAL SOLDER RECEPT	
				angles		product family		code	
				dr	T. BRUNGARD 03/26/04	PwrBlade		213	
				eng	M. GRAY 03/26/04	size		sheet	
				chr	M. GRAY 03/26/04	A		4 of 4	
				appd	M. GRAY 03/26/04	scale			
						1:1			
sheet index	revision sheet								

Pro/E

cage code 22526