

## Excellent Integrated System Limited

Stocking Distributor

Click to view price, real time Inventory, Delivery & Lifecycle Information:

[FCI](#)  
[51940-087](#)

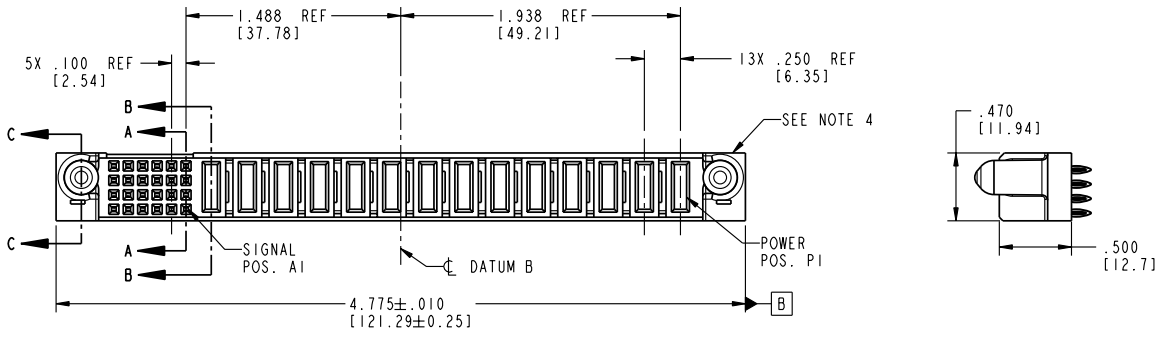
For any questions, you can email us directly:  
[sales@integrated-circuit.com](mailto:sales@integrated-circuit.com)

Tous droits strictement réservés. Reproduction ou communication, o des tiers interdite sous quelque forme que ce soit sans autorisation écrite du propriétaire. Propriété de c FCI. Droits de reproduction FCI.

**FCI**

All rights strictly reserved. Reproduction or issue to third parties in any form whatever is not permitted without written authority from the proprietor. Property of FCI. Copyright FCI.

PRODUCT NO.	ROWS	SIGNAL										POWER									
		E2	6	5	4	3	2	1	P14	P13	P12	P11	P10	P9	P8	P7	P6	P5	P4	P3	P2
51940-087	D C B A	[Pin Grid]										[Pin Grid]									



CODE	DIM "M"	MATING LENGTH	CONTACT TYPE
F	N/A	[N/A]	SIGNAL
PC	.042	[1.07]	POWER

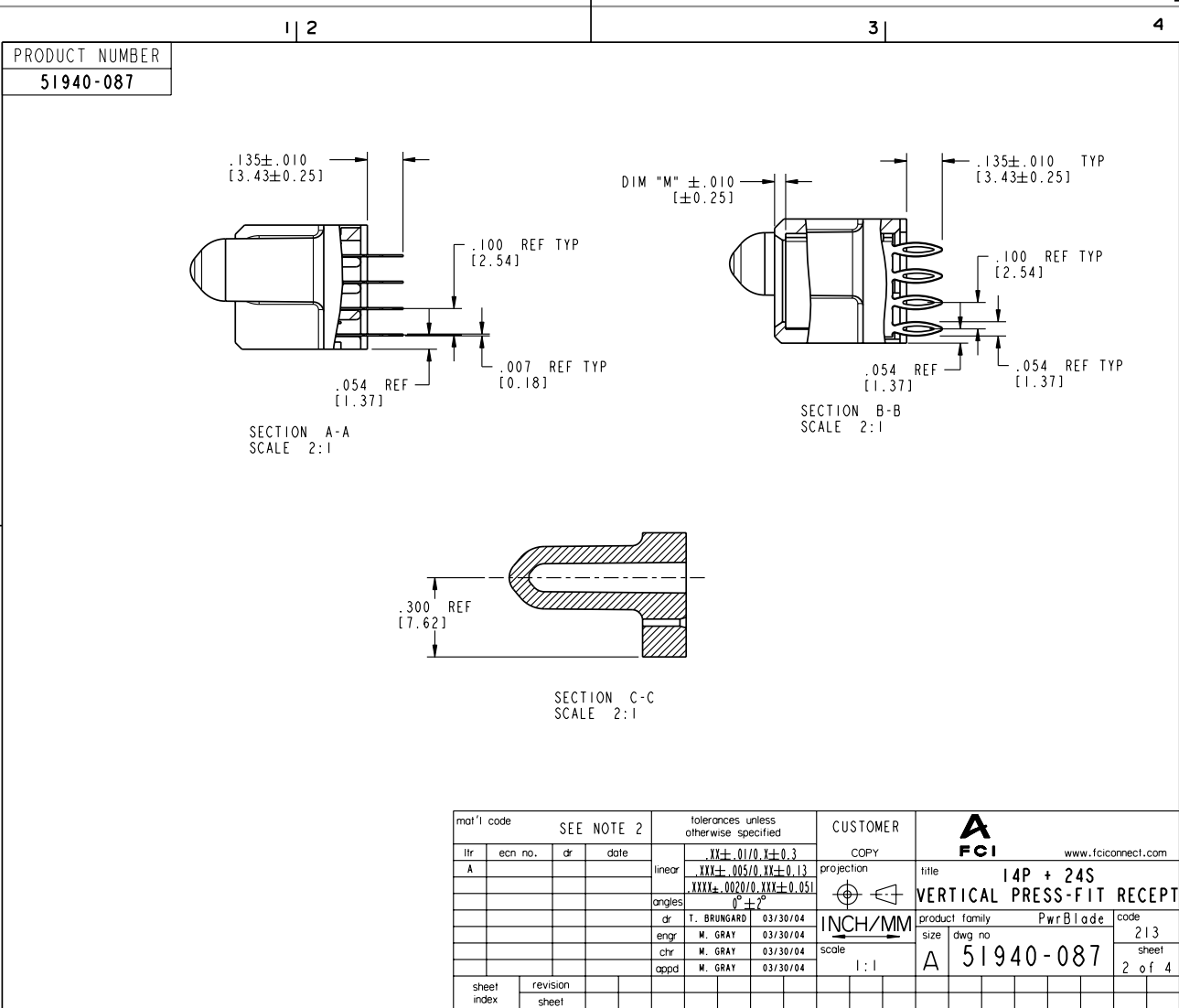
mat'l code		SEE NOTE 2		tolerances unless otherwise specified		CUSTOMER		<b>FCI</b> www.fciconnect.com	
lfr	ecn no.	dr	date	linear	.XX±.01/0.X±0.3	projection	COPY	title	14P + 24S
A	V04-0324	TAB	03/30/04	linear	.XXX±.005/0.XY±0.13	INCH/MM		VERTICAL PRESS-FIT RECEPT	
				angles	.XXX±.002/0.XY±0.051	scale		product family	PwrBlade
				dr	T. BRUNGARD 03/30/04	1:1		size	213
				enr	M. GRAY 03/30/04			dwg no	51940-087
				chr	M. GRAY 03/30/04			sheet	1 of 4
				appd	M. GRAY 03/30/04				
sheet index	revision sheet	A	A	A	A			cage code	22526
1	2	3	4						

Pro/E 3 cage code 22526 4  
**PDM: Rev:A** STATUS:Released Printed: Dec 20, 2010

Tous droits strictement réservés. Reproduction ou communication, o des liens interdite sous quelque forme que ce soit sans autorisation écrite du propriétaire. Propriété de c FCI. Droits de reproduction FCI.

**FCI**

All rights strictly reserved. Reproduction or issue to third parties in any form whatever is not permitted without written authority from the proprietor. Property of FCI. Copyright FCI.



mat'l code		SEE NOTE 2		tolerances unless otherwise specified		CUSTOMER		<b>FCI</b>		www.fciconnect.com	
lfr	ecn no.	dr	date	linear	.XX±.01/0.X±0.3	projection	COPY	title	14P + 24S		
A				linear	.XXX±.005/0.XY±0.13	projection		VERTICAL PRESS-FIT RECEIPT	product family	PwrBlade	
				angles	.XXX±.002/0.XY±0.051	projection			code	213	
				dr	T. BRUNGARD 03/30/04	projection	INCH/MM	product family	code	213	
				enr	M. GRAY 03/30/04	projection		size	sheet	2 of 4	
				chr	M. GRAY 03/30/04	projection		dwg no	51940-087		
				appd	M. GRAY 03/30/04	projection		scale	1:1		
sheet index	revision sheet										

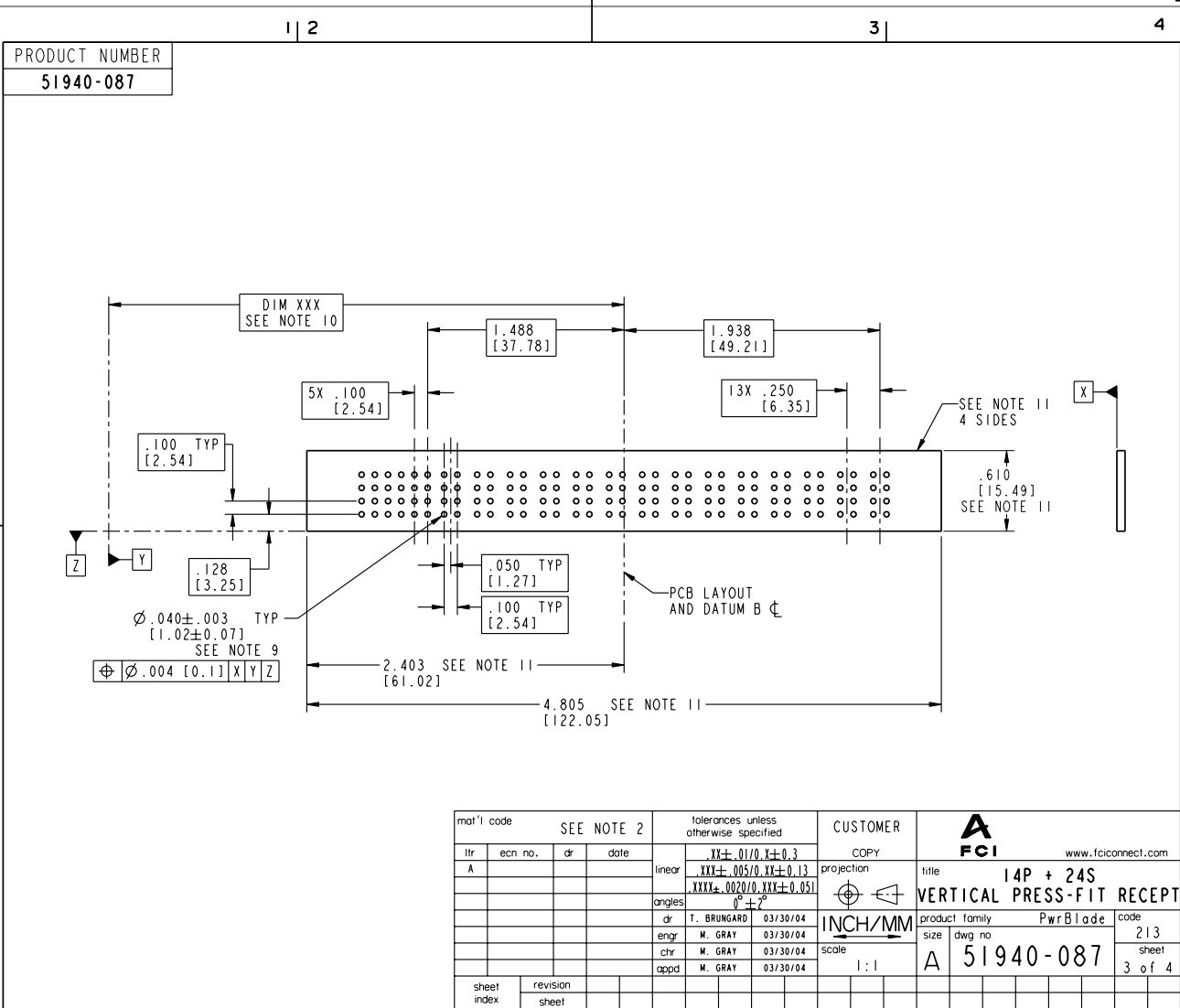
Pro/E cage code 22526

**PDM: Rev:A** STATUS:Released Printed: Dec 20, 2010

Tous droits strictement réservés. Reproduction ou communication, o des liens interdite sous quelque forme que ce soit sans autorisation écrite du propriétaire. Propriété de c FCI. Droits de reproduction FCI.

**FCI**

All rights strictly reserved. Reproduction or issue to third parties in any form whatever is not permitted without written authority from the proprietor. Property of FCI. Copyright FCI.



Pro/E

cage code 22526

**PDM: Rev:A**

**STATUS: Released**

Printed: Dec 20, 2010

Tous droits strictement réservés. Reproduction ou communication, o des liens interdite sous quelque forme que ce soit sans autorisation écrite du propriétaire. Propriété de c FCI. Droits de reproduction FCI.

**FCI**

All rights strictly reserved. Reproduction or issue to third parties in any form whatever is not permitted without written authority from the proprietor. Property of FCI. Copyright FCI.

	1   2	3	4																																																																																																						
<table border="1" style="width: 100%; border-collapse: collapse;"> <tr> <td style="width: 20%;">PRODUCT NUMBER</td> <td colspan="3">51940-087</td> </tr> <tr> <td>NOTES:</td> <td colspan="3"> <p>1. DIMENSIONS AND TOLERANCES ARE IN ACCORDANCE WITH ASME Y14.5M, 1994 UNLESS OTHERWISE SPECIFIED.</p> <p>CONNECTOR NOTES:</p> <p>② HOUSING MATERIAL: UL 94 V-0 GLASS FILLED HIGH-TEMP THERMOPLASTIC POWER CONTACT MATERIAL: COPPER ALLOY SIGNAL PIN MATERIAL: COPPER ALLOY</p> <p>3. PLATING: SIGNAL PINS: 30u"/0.76um Au OVER 50u"/1.27um Ni POWER CONTACTS: 50u"/1.27um Ni UNDER ALL WITH 30u"/0.76um Au ON CONTACT AREA AND SnPb ON PCB INTERFACE</p> <p>④ MANUFACTURER'S NAME, P/N, AND DATE CODE TO APPEAR ON THIS SURFACE.</p> <p>5. PRODUCT SPECIFICATION GS-12-149. APPLICATION SPECIFICATION BUS-20-067.</p> <p>6. PACKAGED IN TRAYS.</p> <p>PCB NOTES:</p> <p>7. ALL HOLE DIAMETERS ARE FINISHED HOLE SIZE.</p> <p>⑧ MOUNTING HOLES, WHERE APPLICABLE, ARE UNPLATED.</p> <p>⑨ <math>\varnothing .0453 \pm .0010</math> [1.151 ± 0.025] DRILLED HOLES PLATED WITH .0003 [0.008] MIN SnPb OVER .001 [0.03] TO .003 [0.08] Cu PLATING TO ACHIEVE <math>\varnothing .040 \pm .003</math> [1.02 ± .07] HOLE.</p> <p>⑩ "DIM XXX" TO BE DETERMINED BY THE CUSTOMER.</p> <p>⑪ CONNECTOR KEEP-OUT ZONE.</p> </td> </tr> <tr> <td colspan="4"> <table border="1" style="width: 100%; border-collapse: collapse;"> <tr> <td colspan="2">mat'l code</td> <td colspan="2">SEE NOTE 2</td> <td colspan="2">tolerances unless otherwise specified</td> <td colspan="2">CUSTOMER</td> <td colspan="2" style="text-align: center;"><b>FCI</b> www.fciconnect.com</td> </tr> <tr> <td>ltr</td> <td>ecm no.</td> <td>dr</td> <td>date</td> <td>linear</td> <td>.XX±.01/0.X±0.3</td> <td>projection</td> <td>COPY</td> <td>title</td> <td>14P + 24S</td> </tr> <tr> <td>A</td> <td></td> <td></td> <td></td> <td>linear</td> <td>.XXX±.005/0.XX±0.13</td> <td rowspan="2" style="text-align: center;"></td> <td rowspan="2" style="text-align: center;">INCH/MM</td> <td colspan="2">VERTICAL PRESS-FIT RECEPT</td> </tr> <tr> <td></td> <td></td> <td></td> <td></td> <td>angles</td> <td>.XXX±.002/0.XX±0.051</td> <td>product family</td> <td>PwrBlade</td> <td>code</td> <td>213</td> </tr> <tr> <td></td> <td></td> <td></td> <td></td> <td>dr</td> <td>T. BRUNGARD 03/30/04</td> <td>scale</td> <td>1:1</td> <td>size</td> <td>A</td> </tr> <tr> <td></td> <td></td> <td></td> <td></td> <td>enr</td> <td>M. GRAY 03/30/04</td> <td>dwg no</td> <td>51940-087</td> <td>sheet</td> <td>4 of 4</td> </tr> <tr> <td></td> <td></td> <td></td> <td></td> <td>chr</td> <td>M. GRAY 03/30/04</td> <td colspan="4"></td> </tr> <tr> <td></td> <td></td> <td></td> <td></td> <td>appd</td> <td>M. GRAY 03/30/04</td> <td colspan="4"></td> </tr> <tr> <td>sheet index</td> <td>revision sheet</td> <td colspan="8"></td> </tr> </table> </td> </tr> </table>				PRODUCT NUMBER	51940-087			NOTES:	<p>1. DIMENSIONS AND TOLERANCES ARE IN ACCORDANCE WITH ASME Y14.5M, 1994 UNLESS OTHERWISE SPECIFIED.</p> <p>CONNECTOR NOTES:</p> <p>② HOUSING MATERIAL: UL 94 V-0 GLASS FILLED HIGH-TEMP THERMOPLASTIC POWER CONTACT MATERIAL: COPPER ALLOY SIGNAL PIN MATERIAL: COPPER ALLOY</p> <p>3. PLATING: SIGNAL PINS: 30u"/0.76um Au OVER 50u"/1.27um Ni POWER CONTACTS: 50u"/1.27um Ni UNDER ALL WITH 30u"/0.76um Au ON CONTACT AREA AND SnPb ON PCB INTERFACE</p> <p>④ MANUFACTURER'S NAME, P/N, AND DATE CODE TO APPEAR ON THIS SURFACE.</p> <p>5. PRODUCT SPECIFICATION GS-12-149. APPLICATION SPECIFICATION BUS-20-067.</p> <p>6. PACKAGED IN TRAYS.</p> <p>PCB NOTES:</p> <p>7. ALL HOLE DIAMETERS ARE FINISHED HOLE SIZE.</p> <p>⑧ MOUNTING HOLES, WHERE APPLICABLE, ARE UNPLATED.</p> <p>⑨ <math>\varnothing .0453 \pm .0010</math> [1.151 ± 0.025] DRILLED HOLES PLATED WITH .0003 [0.008] MIN SnPb OVER .001 [0.03] TO .003 [0.08] Cu PLATING TO ACHIEVE <math>\varnothing .040 \pm .003</math> [1.02 ± .07] HOLE.</p> <p>⑩ "DIM XXX" TO BE DETERMINED BY THE CUSTOMER.</p> <p>⑪ CONNECTOR KEEP-OUT ZONE.</p>			<table border="1" style="width: 100%; border-collapse: collapse;"> <tr> <td colspan="2">mat'l code</td> <td colspan="2">SEE NOTE 2</td> <td colspan="2">tolerances unless otherwise specified</td> <td colspan="2">CUSTOMER</td> <td colspan="2" style="text-align: center;"><b>FCI</b> www.fciconnect.com</td> </tr> <tr> <td>ltr</td> <td>ecm no.</td> <td>dr</td> <td>date</td> <td>linear</td> <td>.XX±.01/0.X±0.3</td> <td>projection</td> <td>COPY</td> <td>title</td> <td>14P + 24S</td> </tr> <tr> <td>A</td> <td></td> <td></td> <td></td> <td>linear</td> <td>.XXX±.005/0.XX±0.13</td> <td rowspan="2" style="text-align: center;"></td> <td rowspan="2" style="text-align: center;">INCH/MM</td> <td colspan="2">VERTICAL PRESS-FIT RECEPT</td> </tr> <tr> <td></td> <td></td> <td></td> <td></td> <td>angles</td> <td>.XXX±.002/0.XX±0.051</td> <td>product family</td> <td>PwrBlade</td> <td>code</td> <td>213</td> </tr> <tr> <td></td> <td></td> <td></td> <td></td> <td>dr</td> <td>T. BRUNGARD 03/30/04</td> <td>scale</td> <td>1:1</td> <td>size</td> <td>A</td> </tr> <tr> <td></td> <td></td> <td></td> <td></td> <td>enr</td> <td>M. GRAY 03/30/04</td> <td>dwg no</td> <td>51940-087</td> <td>sheet</td> <td>4 of 4</td> </tr> <tr> <td></td> <td></td> <td></td> <td></td> <td>chr</td> <td>M. GRAY 03/30/04</td> <td colspan="4"></td> </tr> <tr> <td></td> <td></td> <td></td> <td></td> <td>appd</td> <td>M. GRAY 03/30/04</td> <td colspan="4"></td> </tr> <tr> <td>sheet index</td> <td>revision sheet</td> <td colspan="8"></td> </tr> </table>				mat'l code		SEE NOTE 2		tolerances unless otherwise specified		CUSTOMER		<b>FCI</b> www.fciconnect.com		ltr	ecm no.	dr	date	linear	.XX±.01/0.X±0.3	projection	COPY	title	14P + 24S	A				linear	.XXX±.005/0.XX±0.13		INCH/MM	VERTICAL PRESS-FIT RECEPT						angles	.XXX±.002/0.XX±0.051	product family	PwrBlade	code	213					dr	T. BRUNGARD 03/30/04	scale	1:1	size	A					enr	M. GRAY 03/30/04	dwg no	51940-087	sheet	4 of 4					chr	M. GRAY 03/30/04									appd	M. GRAY 03/30/04					sheet index	revision sheet								
PRODUCT NUMBER	51940-087																																																																																																								
NOTES:	<p>1. DIMENSIONS AND TOLERANCES ARE IN ACCORDANCE WITH ASME Y14.5M, 1994 UNLESS OTHERWISE SPECIFIED.</p> <p>CONNECTOR NOTES:</p> <p>② HOUSING MATERIAL: UL 94 V-0 GLASS FILLED HIGH-TEMP THERMOPLASTIC POWER CONTACT MATERIAL: COPPER ALLOY SIGNAL PIN MATERIAL: COPPER ALLOY</p> <p>3. PLATING: SIGNAL PINS: 30u"/0.76um Au OVER 50u"/1.27um Ni POWER CONTACTS: 50u"/1.27um Ni UNDER ALL WITH 30u"/0.76um Au ON CONTACT AREA AND SnPb ON PCB INTERFACE</p> <p>④ MANUFACTURER'S NAME, P/N, AND DATE CODE TO APPEAR ON THIS SURFACE.</p> <p>5. PRODUCT SPECIFICATION GS-12-149. APPLICATION SPECIFICATION BUS-20-067.</p> <p>6. PACKAGED IN TRAYS.</p> <p>PCB NOTES:</p> <p>7. ALL HOLE DIAMETERS ARE FINISHED HOLE SIZE.</p> <p>⑧ MOUNTING HOLES, WHERE APPLICABLE, ARE UNPLATED.</p> <p>⑨ <math>\varnothing .0453 \pm .0010</math> [1.151 ± 0.025] DRILLED HOLES PLATED WITH .0003 [0.008] MIN SnPb OVER .001 [0.03] TO .003 [0.08] Cu PLATING TO ACHIEVE <math>\varnothing .040 \pm .003</math> [1.02 ± .07] HOLE.</p> <p>⑩ "DIM XXX" TO BE DETERMINED BY THE CUSTOMER.</p> <p>⑪ CONNECTOR KEEP-OUT ZONE.</p>																																																																																																								
<table border="1" style="width: 100%; border-collapse: collapse;"> <tr> <td colspan="2">mat'l code</td> <td colspan="2">SEE NOTE 2</td> <td colspan="2">tolerances unless otherwise specified</td> <td colspan="2">CUSTOMER</td> <td colspan="2" style="text-align: center;"><b>FCI</b> www.fciconnect.com</td> </tr> <tr> <td>ltr</td> <td>ecm no.</td> <td>dr</td> <td>date</td> <td>linear</td> <td>.XX±.01/0.X±0.3</td> <td>projection</td> <td>COPY</td> <td>title</td> <td>14P + 24S</td> </tr> <tr> <td>A</td> <td></td> <td></td> <td></td> <td>linear</td> <td>.XXX±.005/0.XX±0.13</td> <td rowspan="2" style="text-align: center;"></td> <td rowspan="2" style="text-align: center;">INCH/MM</td> <td colspan="2">VERTICAL PRESS-FIT RECEPT</td> </tr> <tr> <td></td> <td></td> <td></td> <td></td> <td>angles</td> <td>.XXX±.002/0.XX±0.051</td> <td>product family</td> <td>PwrBlade</td> <td>code</td> <td>213</td> </tr> <tr> <td></td> <td></td> <td></td> <td></td> <td>dr</td> <td>T. BRUNGARD 03/30/04</td> <td>scale</td> <td>1:1</td> <td>size</td> <td>A</td> </tr> <tr> <td></td> <td></td> <td></td> <td></td> <td>enr</td> <td>M. GRAY 03/30/04</td> <td>dwg no</td> <td>51940-087</td> <td>sheet</td> <td>4 of 4</td> </tr> <tr> <td></td> <td></td> <td></td> <td></td> <td>chr</td> <td>M. GRAY 03/30/04</td> <td colspan="4"></td> </tr> <tr> <td></td> <td></td> <td></td> <td></td> <td>appd</td> <td>M. GRAY 03/30/04</td> <td colspan="4"></td> </tr> <tr> <td>sheet index</td> <td>revision sheet</td> <td colspan="8"></td> </tr> </table>				mat'l code		SEE NOTE 2		tolerances unless otherwise specified		CUSTOMER		<b>FCI</b> www.fciconnect.com		ltr	ecm no.	dr	date	linear	.XX±.01/0.X±0.3	projection	COPY	title	14P + 24S	A				linear	.XXX±.005/0.XX±0.13		INCH/MM	VERTICAL PRESS-FIT RECEPT						angles	.XXX±.002/0.XX±0.051	product family	PwrBlade	code	213					dr	T. BRUNGARD 03/30/04	scale	1:1	size	A					enr	M. GRAY 03/30/04	dwg no	51940-087	sheet	4 of 4					chr	M. GRAY 03/30/04									appd	M. GRAY 03/30/04					sheet index	revision sheet																				
mat'l code		SEE NOTE 2		tolerances unless otherwise specified		CUSTOMER		<b>FCI</b> www.fciconnect.com																																																																																																	
ltr	ecm no.	dr	date	linear	.XX±.01/0.X±0.3	projection	COPY	title	14P + 24S																																																																																																
A				linear	.XXX±.005/0.XX±0.13		INCH/MM	VERTICAL PRESS-FIT RECEPT																																																																																																	
				angles	.XXX±.002/0.XX±0.051			product family	PwrBlade	code	213																																																																																														
				dr	T. BRUNGARD 03/30/04	scale	1:1	size	A																																																																																																
				enr	M. GRAY 03/30/04	dwg no	51940-087	sheet	4 of 4																																																																																																
				chr	M. GRAY 03/30/04																																																																																																				
				appd	M. GRAY 03/30/04																																																																																																				
sheet index	revision sheet																																																																																																								
	1   2	3	4																																																																																																						

Pro/E

cage code 22526

**PDM: Rev:A**

STATUS: **Released**

Printed: Dec 20, 2010