

Excellent Integrated System Limited

Stocking Distributor

Click to view price, real time Inventory, Delivery & Lifecycle Information:

[FCI](#)
[51940-112LF](#)

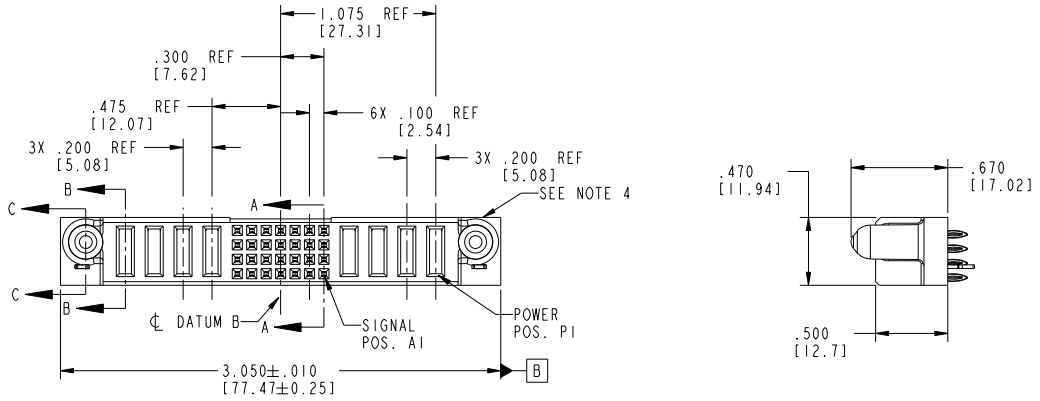
For any questions, you can email us directly:
sales@integrated-circuit.com

Tous droits strictement réservés. Reproduction ou communication à des tiers interdite sans que chaque forme que ce soit sans autorisation écrite du propriétaire. Propriété de c FCI. Droits de reproduction FCI.

All rights strictly reserved. Reproduction or issue to third parties in any form whatsoever is not permitted without written authority from the proprietor. Property of FCI. Copyright FCI.



PRODUCT NO.	ROWS	POWER				SIGNAL								POWER				E1
		E2	P8	P7	P6	P5	7	6	5	4	3	2	1	P4	P3	P2	P1	
51940-112-- NOTE: 3	D C B A																	



CODE	DIM "M" MATING LENGTH	CONTACT TYPE
PC	.042 [1.07]	POWER
F	N/A [N/A]	SIGNAL
HA	N/A [N/A]	HOLD-DOWN

mat'l code		SEE NOTE 2	tolerances unless otherwise specified		CUSTOMER		www.fciconnect.com
ltr	ecn no.	dr	date	linear	COPY		
A	DG04-0086	LH	11/29/04	.XX±.01/0.X±0.3	projection		title 4P + 28S + 4P VERTICAL PRESS-FIT RECEPT
B	DG05-0036	SW	03/01/05	.XXX±.005/0.XX±0.13	INCH/MM		
C	DG05-0300	GuoJM	08/29/05	angles 0°±?	scale	size	code 213
D	DG06-0370	GuoJM	09/01/06	dr LH 11/29/04	1:1	dwg no	sheet 1 of 4
				engr LH 11/29/04		A	
				chr VICTOR LIN 11/29/04			
				appd JOSEPH HSIA 11/29/04			
sheet index	revision sheet	D 1	D 2	D 3	D 4		

1 | 2

Pro/E

PDM: Rev: D

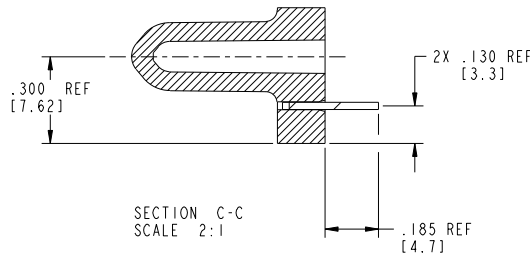
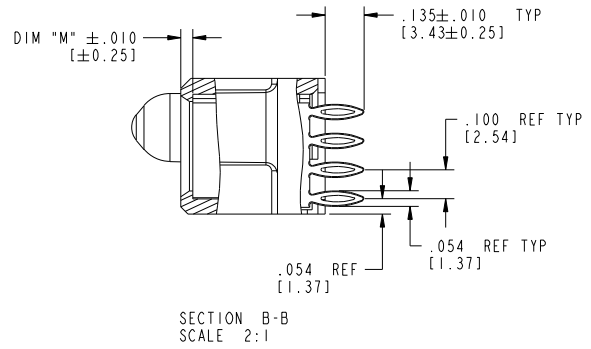
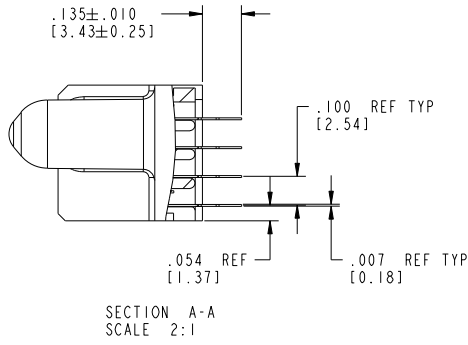
STATUS: **Released**

Printed: Dec 20, 2010

Tous droits strictement réservés. Reproduction ou communication à des tiers interdite sous quelque forme que ce soit sans autorisation écrite du propriétaire. Propriété de c FCI. Droits de reproduction FCI.

All rights strictly reserved. Reproduction or issue to third parties in any form whatsoever is not permitted without written authority from the proprietor. Property of FCI. Copyright FCI.

PRODUCT NUMBER
51940-112_
NOTE: 3



mat'l code		SEE NOTE 2		tolerances unless otherwise specified		CUSTOMER		FCI	
ltr	ecn no.	dr	date	linear	.XX±.01/0.X±0.3	projection	COPY	www.fciconnect.com	
D				angles	.XXX±.005/0.XX±0.13			title 4P + 28S + 4P	
				dr	.XXX±.0020/0.XXX±0.051		INCH/MM		VERTICAL PRESS-FIT RECEPT
				enr	0°±?	scale		product family	PwrBlade
				chr		1:1		size	dwg no
				appd				A	51940-112
sheet index	revision sheet							code	213
								sheet	2 of 4

1 | 2

Pro/E

PDM: Rev: D

STATUS: Released

Printed: Dec 20, 2010

1 | 2

3 |

4

A

A

B

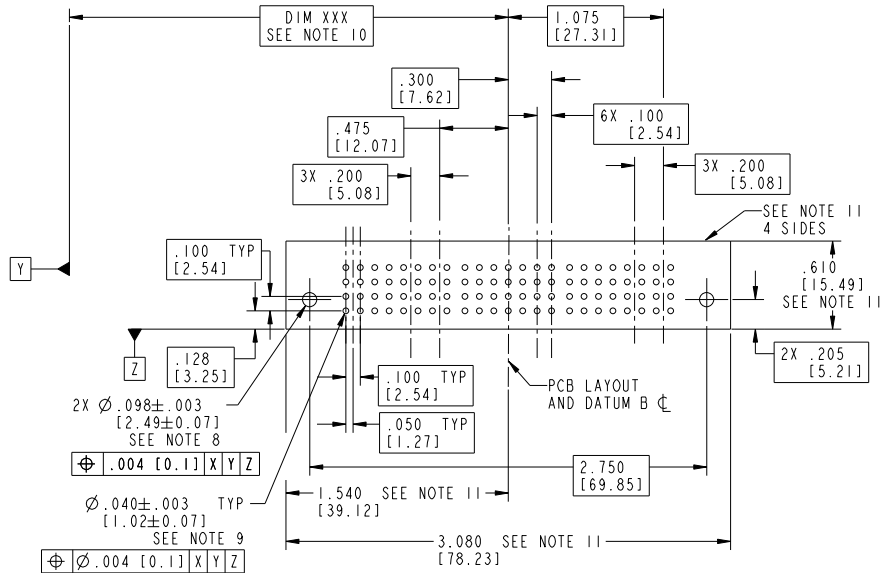
B

Tous droits strictement réservés. Reproduction ou communication à des tiers interdite sans que la forme que ce soit sans autorisation écrite du propriétaire. Propriété de c FCI. Droits de reproduction FCI.



All rights strictly reserved. Reproduction or issue to third parties, in any form whatsoever is not permitted without written authority from the proprietor. Property of FCI. Copyright FCI.

PRODUCT NUMBER
51940-112_
NOTE: 3



mat'l code		SEE NOTE 2		tolerances unless otherwise specified		CUSTOMER		FCI		www.fciconnect.com	
ltr	ecn no.	dr	date	linear	.XX±.01/0.X±0.3	projection	COPY	title	4P + 28S + 4P		
D				angles	.XXX±.005/0.XX±0.13	INCH/MM		VERTICAL PRESS-FIT RECEPT			code
				dr	.XXX±.0020/0.XXX±0.051	scale		product family	PwrBlade		213
				enr	0°±?	1:1		size	A		3 of 4
				chr				dwg no	51940-112		sheet
				appd				code	22526		3 of 4
sheet index	revision sheet										

1 | 2

Pro/E

PDM: Rev: D

STATUS: Released

Printed: Dec 20, 2010

Tous droits strictement réservés. Reproduction ou communication à des tiers interdite sans quelque forme que ce soit sans autorisation écrite du propriétaire. Propriété de c FCI. Droits de reproduction FCI.

All rights strictly reserved. Reproduction or issue to third parties in any form whatsoever is not permitted without written authority from the proprietor. Property of FCI. Copyright FCI.

1 | 2

3 |

4

PRODUCT NUMBER
 51940-112__
 NOTE: 3

- NOTES:
- DIMENSIONS AND TOLERANCES ARE IN ACCORDANCE WITH ASME Y14.5M, 1994 UNLESS OTHERWISE SPECIFIED.
- CONNECTOR NOTES:
- HOUSING MATERIAL: UL 94 V-0 GLASS FILLED
 HIGH-TEMP THERMOPLASTIC
 POWER CONTACT MATERIAL: COPPER ALLOY
 SIGNAL PIN MATERIAL: COPPER ALLOY
 - 51940-112;51940-112LF;51940-112GLF PLATING SPEC. SEE PRINT:10064183
 - MANUFACTURER'S NAME, P/N, AND DATE CODE TO APPEAR ON THIS SURFACE.
 - PRODUCT SPECIFICATION GS-12-149.
 APPLICATION SPECIFICATION BUS-20-067.
 - PACKAGED IN TRAYS.
- PCB NOTES:
- ALL HOLE DIAMETERS ARE FINISHED HOLE SIZE.
 - MOUNTING HOLES, WHERE APPLICABLE, ARE UNPLATED.
 - $\varnothing .0453 \pm .0010$ [1.151 \pm 0.025] DRILLED HOLES PLATED WITH .0003 [0.008] MIN SnPb or Sn OVER .001 [0.03] TO .003 [0.08] Cu PLATING TO ACHIEVE $\varnothing .040 \pm .003$ [1.02 \pm .07] HOLE.
 - "DIM XXX" TO BE DETERMINED BY THE CUSTOMER.
 - CONNECTOR KEEP-OUT ZONE.

mat'l code				SEE NOTE 2				tolerances unless otherwise specified				CUSTOMER		FCI		www.fciconnect.com		
ltr	ecn no.	dr	date	linear	.XX±.01/0.X±0.3			COPY		projection		title		code		www.fciconnect.com		
D				angles	.XXX±.005/0.XX±0.13			A		VERTICAL PRESS-FIT RECEPT		4P + 28S + 4P		213				
				dr	LH	11/29/04		INCH/MM		product family		PwrBlade		4 of 4				
				enrg	LH	11/29/04		scale		size		A 51940-112		sheet				
				chr	VICTOR LIN	11/29/04		1:1		size		A 51940-112		4 of 4				
				appd	JOSEPH HSIA	11/29/04				code		22536		4				
sheet index	revision sheet																	

1 | 2

Pro/E

PDM: Rev: D

STATUS: Released

Printed: Dec 20, 2010