

Excellent Integrated System Limited

Stocking Distributor

Click to view price, real time Inventory, Delivery & Lifecycle Information:

[FCI](#)
[51940-147](#)

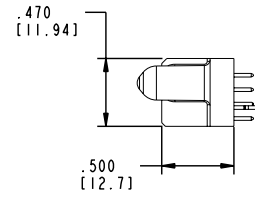
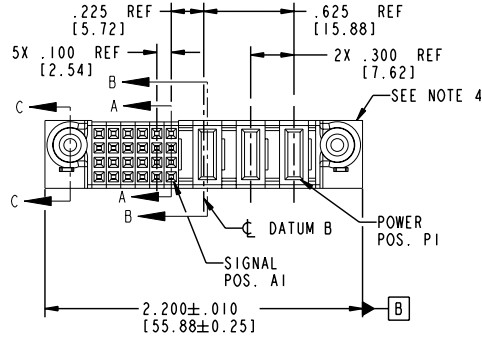
For any questions, you can email us directly:
sales@integrated-circuit.com

Tous droits strictement réservés. Reproduction ou communication, o des liers interdite sous quelque forme que ce soit sans autorisation écrite du propriétaire. Propriété de c FCI. Droits de reproduction FCI.

FCI

All rights strictly reserved. Reproduction or issue to third parties in any form whatever is not permitted without written authority from the proprietor. Property of FCI. Copyright FCI.

PRODUCT NO. 51940-147 - Note ③	ROWS D C B A	SIGNAL					POWER				
		E2	6	5	4	3	2	1	P3	P2	P1
		⊕	⊕	⊕	⊕	⊕	⊕	⊕	⊕	⊕	⊕



CODE	DIM "M" MATING LENGTH	CONTACT TYPE
E	N/A [N/A]	SIGNAL
PD	.092 [2.34]	POWER
HA	N/A [N/A]	HOLD-DOWN
PA	.042 [1.07]	POWER

mat'l code		SEE NOTE 2		tolerances unless otherwise specified		CUSTOMER		 www.fciconnect.com	
lfr	ecm no.	dr	date	linear	$.XX \pm .01/0, Y \pm 0.3$ $.XXX \pm .005/0, Y \pm 0.13$ $.XXXX \pm .002/0, Y \pm 0.051$	projection	COPY	title	3ACP+24S VERTICAL STB RECEIPT
A	DG05-0121	GvoJM	5/23/05	angles	$0^\circ \pm 2^\circ$			product family	PwrBlade
				dr	SLUO	5/23/05	INCH/MM	size	code
				engr	SLUO	5/23/05	scale	dwg no	213
				chr	VICTOR LIM	5/23/05	1:1	51940-147	sheet
				appd	JOSEPH HSIA	5/23/05	A	1 of 4	
sheet index	revision sheet	A	A	A	A	A			
		1	2	3	4				

Pro/E

cage code 22526

PDM: Rev:A

STATUS: Released

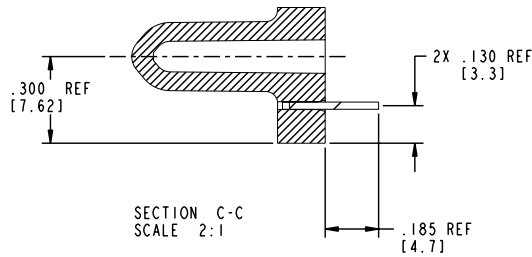
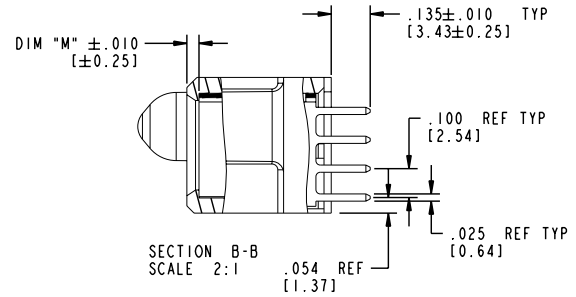
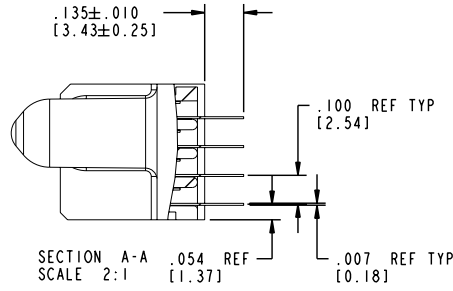
Printed: Dec 20, 2010

Tous droits strictement réservés. Reproduction ou communication, o des liens interdite sous quelque forme que ce soit sans autorisation écrite du propriétaire. Propriété de c FCI. Droits de reproduction FCI.

FCI

All rights strictly reserved. Reproduction or issue to third parties in any form whatever is not permitted without written authority from the proprietor. Property of FCI. Copyright FCI.

PRODUCT NUMBER
51940-147..
Note:③



mat'l code		SEE NOTE 2		tolerances unless otherwise specified		CUSTOMER		FCI www.fciconnect.com	
lfr	ecm no.	dr	date	linear	.XX±.01/0.X±0.3	projection	COPY	title	3ACP+24S
A				linear	.XXX±.005/0.XX±0.13	projection		title	VERTICAL STB RECEPT
				angles	.XXX±.002/0.XX±0.051	projection		product family	PwrBlade
				angles	0°±2°	projection		code	213
		dr	SLUO	5/23/05		INCH/MM		product family	PwrBlade
		enrg	SLUO	5/23/05		scale		dwg no	51940-147
		chr	VICTOR LIM	5/23/05		scale	1:1	sheet	2 of 4
		appd	JOSEPH HSIA	5/23/05					
sheet index	revision sheet								

Pro/E

cage code **22526**

PDM: Rev:A

STATUS: **Released**

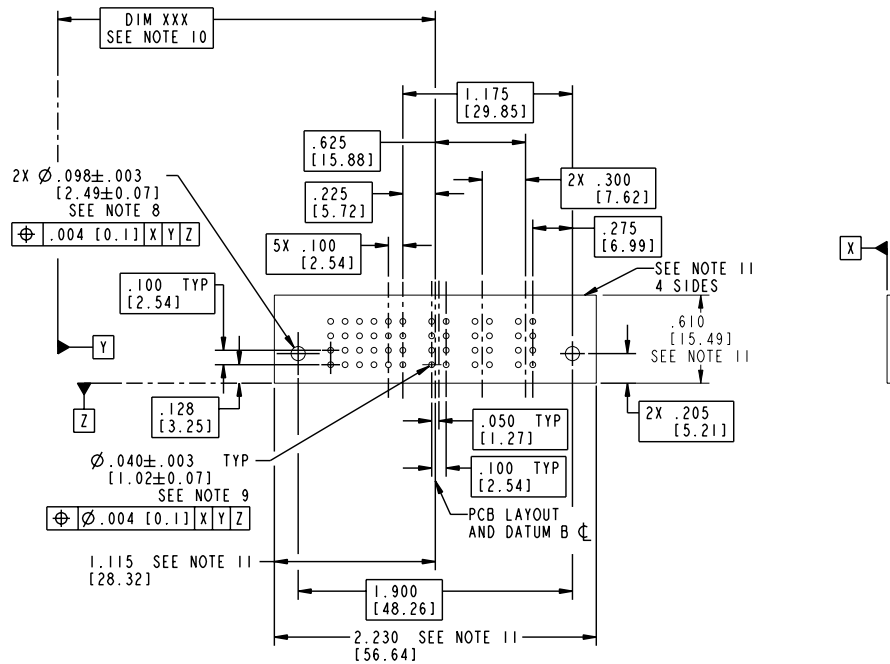
Printed: Dec 20, 2010

Tous droits strictement réservés. Reproduction ou communication à des tiers interdite sous quelque forme que ce soit sans autorisation écrite du propriétaire. Propriété de FCI. Droits de reproduction FCI.

FCI

All rights strictly reserved. Reproduction or issue to third parties in any form whatever is not permitted without written authority from the proprietor. Property of FCI. Copyright FCI.

PRODUCT NUMBER
51940-147--
Note:③



mat'l code		SEE NOTE 2		tolerances unless otherwise specified		CUSTOMER		www.fciconnect.com	
itr	ecn no.	dr	date	linear	$.XX \pm .01/0.X \pm 0.3$ $.XXX \pm .005/0.XX \pm 0.13$ $.XXXX \pm .002/0.XX \pm 0.051$	projection	COPY	title	3ACP+24S
A				angles	$0^{\circ} \pm 2^{\circ}$			VERTICAL STB RECEIPT	
		dr	SLUO	5/23/05		INCH/MM		product family	PwrBlade
		enr	SLUO	5/23/05		scale	A	size	213
		chr	VICTOR LIM	5/23/05		1:1		dwg no	51940-147
		appd	JOSEPH HSIA	5/23/05				code	213
sheet index	revision sheet							sheet	3 of 4

Pro/E

cage code **22526**

PDM: Rev:A

STATUS: **Released**

Printed: Dec 20, 2010

Tous droits strictement réservés. Reproduction ou communication, o des tiers interdite sous peine de poursuites judiciaires. Propriété de FCI. Droits de reproduction FCI.

FCI

All rights strictly reserved. Reproduction or issue to third parties in any form whatever is not permitted without written authority from the proprietor. Property of FCI. Copyright FCI.

1 2	3	4																																																																																										
<p>PRODUCT NUMBER 51940-147.. Note: ③</p>																																																																																												
<p>NOTES:</p> <p>1. DIMENSIONS AND TOLERANCES ARE IN ACCORDANCE WITH ASME Y14.5M, 1994 UNLESS OTHERWISE SPECIFIED.</p> <p>CONNECTOR NOTES:</p> <p>② HOUSING MATERIAL: UL 94 V-0 GLASS FILLED HIGH-TEMP THERMOPLASTIC POWER CONTACT MATERIAL: COPPER ALLOY SIGNAL PIN MATERIAL: COPPER ALLOY</p> <p>3. PLATING: 51940-147 Singal Pin: 30u"/0.76um Au OVER 50u"/1.27um Ni ON THE CONTACT AREA, AND 100u"/2.54um SnPb PLATING OVER 50u"/1.27um Ni ON THE TERMINATION SECTION. Power Pin: 30u"/0.76um Au OVER 50u"/1.27um Ni ON THE CONTACT AREA, AND 100u"/2.54um SnPb PLATING OVER 50u"/1.27um Ni ON THE TERMINATION SECTION.</p> <p>51940-147LF Singal Pin: 30u"/0.76um Au OVER 50u"/1.27um Ni ON THE CONTACT AREA, AND 78u"/2.00um Sn PLATING OVER 50u"/1.27um Ni ON THE TERMINATION SECTION. Power Pin: 30u"/0.76um Au OVER 50u"/1.27um Ni ON THE CONTACT AREA, AND 78u"/2.00um Sn PLATING OVER 50u"/1.27um Ni ON THE TERMINATION SECTION.</p> <p>PART NUMBER 51940-147LF MEETS EUROPEAN UNION DIRECTIVE AND OTHER COUNTRY REGULATIONS AS DESCRIBED IN GS-22-008.</p> <p>THE HOUSING WILL WITHSTAND EXPOSURE TO 260° PEAK TEMPERATURE FOR 10 SECONDS IN A WAVE SOLDER APPLICATION WITH A CIRCUIT BOARD.</p>																																																																																												
<p>④ MANUFACTURER'S NAME, P/N, AND DATE CODE TO APPEAR ON THIS SURFACE.</p> <p>5. PRODUCT SPECIFICATION GS-12-149. APPLICATION SPECIFICATION BUS-20-067.</p> <p>6. PACKAGED IN TRAYS.</p> <p>PCB NOTES:</p> <p>7. ALL HOLE DIAMETERS ARE FINISHED HOLE SIZE.</p> <p>⑧ MOUNTING HOLES, WHERE APPLICABLE, ARE UNPLATED.</p> <p>⑨ $\varnothing .0453 \pm .0010$ [1.151 ± 0.025] DRILLED HOLES PLATED WITH .0003 [0.008] MIN SnPb OVER .001 [0.03] TO .003 [0.08] Cu PLATING TO ACHIEVE $\varnothing .040 \pm .003$ [1.02 ± .07] HOLE.</p> <p>⑩ "DIM XXX" TO BE DETERMINED BY THE CUSTOMER.</p> <p>⑪ CONNECTOR KEEP-OUT ZONE.</p>																																																																																												
<table border="1" style="width: 100%; border-collapse: collapse;"> <tr> <td colspan="2">mat'l code</td> <td colspan="2">SEE NOTE 2</td> <td colspan="2">tolerances unless otherwise specified</td> <td colspan="2">CUSTOMER</td> <td colspan="2" style="text-align: center;">FCI www.fciconnect.com</td> </tr> <tr> <td>ltr</td> <td>ecn no.</td> <td>dr</td> <td>date</td> <td>linear</td> <td>$.XX \pm .01/0.X \pm 0.3$</td> <td>COPY</td> <td>projection</td> <td>title</td> <td>3ACP+24S</td> </tr> <tr> <td>A</td> <td></td> <td></td> <td></td> <td>linear</td> <td>$.XXX \pm .005/0.XX \pm 0.13$</td> <td></td> <td></td> <td>VERTICAL STB RECEPT</td> <td></td> </tr> <tr> <td></td> <td></td> <td></td> <td></td> <td>angles</td> <td>$.XXX \pm .002/0.XX \pm 0.051$</td> <td></td> <td></td> <td>product family</td> <td>PwrBlade</td> </tr> <tr> <td></td> <td></td> <td></td> <td></td> <td>dr</td> <td>SLUO 5/23/05</td> <td>INCH/MM</td> <td>product size</td> <td>code</td> <td>213</td> </tr> <tr> <td></td> <td></td> <td></td> <td></td> <td>enr</td> <td>SLUO 5/23/05</td> <td>scale</td> <td>dwg no</td> <td>sheet</td> <td>4 of 4</td> </tr> <tr> <td></td> <td></td> <td></td> <td></td> <td>chr</td> <td>VICTOR LIM 5/23/05</td> <td>1:1</td> <td>51940-147</td> <td></td> <td></td> </tr> <tr> <td></td> <td></td> <td></td> <td></td> <td>appd</td> <td>JOSEPH HSIA 5/23/05</td> <td></td> <td></td> <td></td> <td></td> </tr> <tr> <td>sheet index</td> <td>revision sheet</td> <td></td> <td></td> <td></td> <td></td> <td></td> <td></td> <td></td> <td></td> </tr> </table>			mat'l code		SEE NOTE 2		tolerances unless otherwise specified		CUSTOMER		FCI www.fciconnect.com		ltr	ecn no.	dr	date	linear	$.XX \pm .01/0.X \pm 0.3$	COPY	projection	title	3ACP+24S	A				linear	$.XXX \pm .005/0.XX \pm 0.13$			VERTICAL STB RECEPT						angles	$.XXX \pm .002/0.XX \pm 0.051$			product family	PwrBlade					dr	SLUO 5/23/05	INCH/MM	product size	code	213					enr	SLUO 5/23/05	scale	dwg no	sheet	4 of 4					chr	VICTOR LIM 5/23/05	1:1	51940-147							appd	JOSEPH HSIA 5/23/05					sheet index	revision sheet								
mat'l code		SEE NOTE 2		tolerances unless otherwise specified		CUSTOMER		FCI www.fciconnect.com																																																																																				
ltr	ecn no.	dr	date	linear	$.XX \pm .01/0.X \pm 0.3$	COPY	projection	title	3ACP+24S																																																																																			
A				linear	$.XXX \pm .005/0.XX \pm 0.13$			VERTICAL STB RECEPT																																																																																				
				angles	$.XXX \pm .002/0.XX \pm 0.051$			product family	PwrBlade																																																																																			
				dr	SLUO 5/23/05	INCH/MM	product size	code	213																																																																																			
				enr	SLUO 5/23/05	scale	dwg no	sheet	4 of 4																																																																																			
				chr	VICTOR LIM 5/23/05	1:1	51940-147																																																																																					
				appd	JOSEPH HSIA 5/23/05																																																																																							
sheet index	revision sheet																																																																																											
<p style="text-align: center;">1 2</p> <p style="text-align: center;">Pro/E</p> <p style="text-align: center;">3 </p> <p style="text-align: center;">cage code 22526</p> <p style="text-align: center;">4</p>																																																																																												