

Excellent Integrated System Limited

Stocking Distributor

Click to view price, real time Inventory, Delivery & Lifecycle Information:

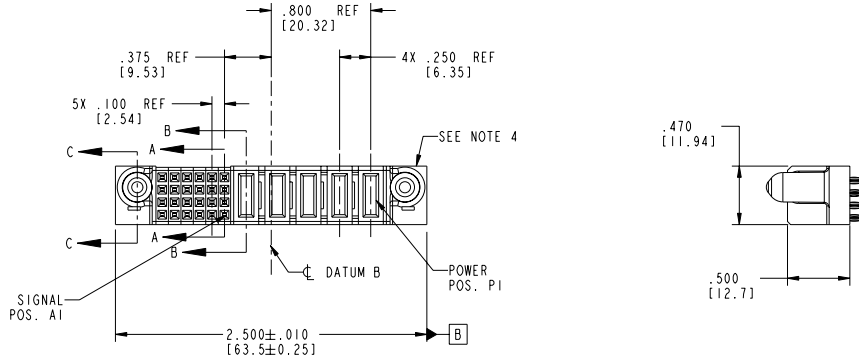
[FCI](#)
[51940-181LF](#)

For any questions, you can email us directly:
sales@integrated-circuit.com

Tous droits strictement réservés. Reproduction ou communication de ces lignes infidèle sans aucune forme que ce soit sans autorisation écrite du propriétaire. Propriété de c FCI. Droits de reproduction FCI.

All rights strictly reserved. Reproduction or issue in any form whatever is not permitted without written authority from the proprietor. Property of FCI. Copyright FCI.

PRODUCT NO.	ROWS	SIGNAL					POWER					
		E2	5	4	3	2	P5	P4	P3	P2	P1	E1
51940-181-- NOTE ③	D B A											



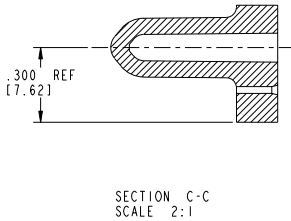
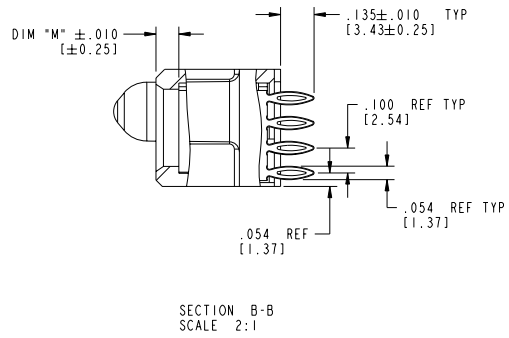
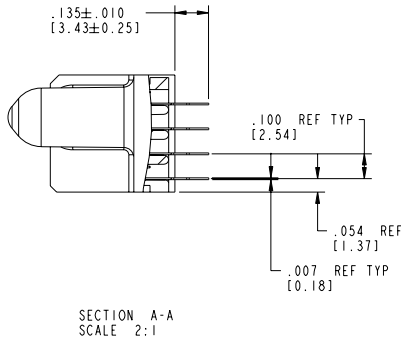
CODE	DIM "M" MATING LENGTH	CONTACT TYPE
PF	.092 [2.34]	POWER
F	N/A [N/A]	SIGNAL
PC	.042 [1.07]	POWER

mat'l code				SEE NOTE 2	tolerances unless otherwise specified		CUSTOMER		FCI www.fciconnect.com	
ltr	ecm no.	dr	date	linear	.XX±.01/0.XX±0.3		COPY		title	
A	D605-0520	CS	12/08/05	angles	.XXX±.005/0.XX±0.13		projection		VERTICAL PRESS FIT RECEPT	
				dr	.XXX±.0020/0.XX±0.051		INCH/MM		product family	
				engr	0° ± 7°		scale		PwrBlade	
				chr	CS 12/08/05		1:1		code	
				oppd	STEVEN WANG 12/08/05				213	
					VICTOR LIN 12/08/05				sheet	
					JOSEPH HSTA 12/08/05				of 4	
sheet index	revision sheet	A	A	A	A	A	code code		4	
1	2	3	4	4	4	4	22526		4	

Tous droits strictement réservés. Reproduction ou communication de ces plans interdite sans autorisation écrite du propriétaire. Propriété de c FCI. Droits de reproduction FCI.

All rights strictly reserved. Reproduction or issue to third parties in any form without written authority from the proprietor. Property of FCI. Copyright FCI.

PRODUCT NUMBER
51940-181--
NOTE(3)



mat'l code		SEE NOTE 2	tolerances unless otherwise specified		CUSTOMER	FCI www.fciconnect.com	
ltr	ecm no.	dr	date	linear	COPY	title	
A				$XX \pm .01/0$ $XX \pm 0.3$	projection	5P + 24S	
				$XXX \pm .002/0$ $XXX \pm 0.051$		VERTICAL PRESS FIT RECEPT	
				angles	$0^\circ \pm 7^\circ$	product	family
				dr	CS	12/08/05	PwrBlade
				enr	STEVEN WANG	12/08/05	code
				chr	VICTOR LIN	12/08/05	213
				appd	JOSEPH HSTA	12/08/05	sheet
sheet index	revision sheet				INCH/MM	size	2 of 4
					scale	dwg no	
					1:1	A	51940-181

Pro/E

code code 22526

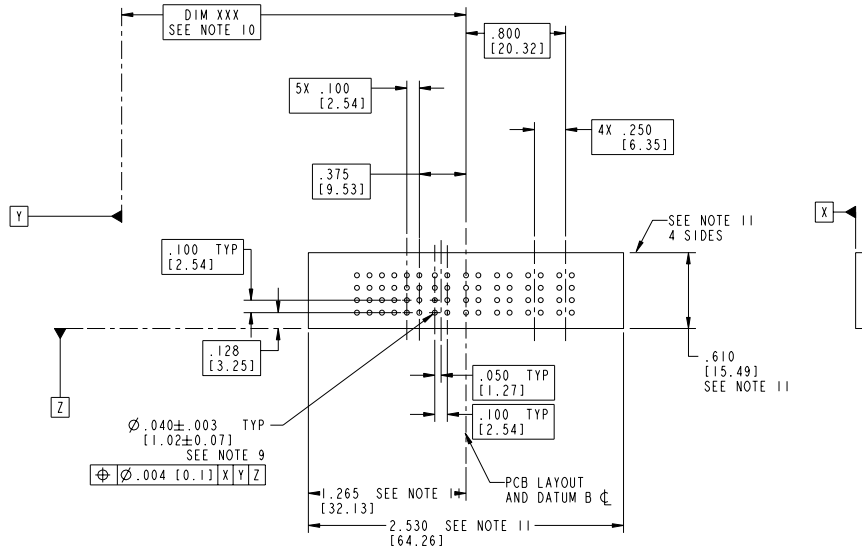
PDM: Rev:A STATUS: **Released**

Printed: Dec 20, 2010

Tous droits strictement réservés. Reproduction ou communication à des fins inférieures sans aucune forme que ce soit sans autorisation écrite du propriétaire. Propriété de c FCI. Droits de reproduction FCI.

All rights strictly reserved. Reproduction or issue in any form whatever is not permitted without written authority from the proprietor. Property of FCI. Copyright FCI.

PRODUCT NUMBER
51940-181...
NOTE(3)



mat'l code		SEE NOTE 2	tolerances unless otherwise specified	CUSTOMER	
ltr	ecm no.	dr	date	linear	www.fciconnect.com
A				linear	5P + 24S
				angles	VERTICAL PRESS FIT RECEIPT
				dr	product family PwrBlade
				engr	size
				chr	dwg no
				appd	code
sheet index	revision sheet			scale	213
					3 of 4

PDM: Rev:A

STATUS: Released

Printed: Dec 20, 2010

Tous droits strictement réservés. Reproduction ou communication de ces lignes interdite sans autorisation écrite du propriétaire. Property of FCI. Droits de reproduction FCI.

All rights strictly reserved. Reproduction or issue in third parties in any form whatever is not permitted without written authority from the proprietor. Property of FCI. Copyright FCI.

PRODUCT NUMBER
 51940-181--
 NOTE ③

NOTES:

1. DIMENSIONS AND TOLERANCES ARE IN ACCORDANCE WITH ASME Y14.5M, 1994 UNLESS OTHERWISE SPECIFIED.

CONNECTOR NOTES:

② HOUSING MATERIAL: UL 94 V-0 GLASS FILLED

HIGH-TEMP THERMOPLASTIC
 POWER CONTACT MATERIAL: COPPER ALLOY
 SIGNAL PIN MATERIAL: COPPER ALLOY

3. PLATING:

51940-181 Singal Pin:30u"/0.76um Au OVER 50u"/1.27um Ni ON CONTACT AREA.
 AND 100u"/2.54um SnPb PLATING OVER 50u"/1.27um Ni ON THE TERMINATION SECTION.
 Power Pin:30u"/0.76um Au OVER 50u"/1.27um Ni ON THE CONTACT AREA,
 AND 50u"/1.27um-100u"/2.54um SnPb PLATING OVER 50u"/1.27um Ni ON THE TERMINATION SECTION.

51940-181LF Singal Pin:30u"/0.76um Au OVER 50u"/1.27um Ni ON CONTACT AREA.
 Power Pin:30u"/0.76um Au OVER 50u"/1.27um Ni ON THE CONTACT AREA,
 AND 50u"/1.27um-100u"/2.54um Sn PLATING OVER 50u"/1.27um Ni ON THE TERMINATION SECTION.

PART NUMBER 51940-181LF MEETS EUROPEAN UNION DIRECTIVE AND OTHER COUNTRY REGULATIONS AS DESCRIBED IN GS-22-008.

THE HOUSING WILL WITHSTAND EXPOSURE TO 260° PEAK TEMPERATURE FOR 10 SECONDS IN A WAVE SOLDER APPLICATION WITH A CIRCUIT BOARD

④ MANUFACTURER'S NAME, P/N, AND DATE CODE TO APPEAR ON THIS SURFACE.

5. PRODUCT SPECIFICATION GS-12-149.
 APPLICATION SPECIFICATION BUS-20-067.

6. PACKAGED IN TRAYS.

PCB NOTES:

7. ALL HOLE DIAMETERS ARE FINISHED HOLE SIZE.

⑧ MOUNTING HOLES, WHERE APPLICABLE, ARE UNPLATED.

⑨ $\varnothing .0453 \pm .0010$ [1.151 \pm 0.025] DRILLED HOLES PLATED WITH .0003 [0.008] MIN SnPb OVER .001 [0.03] TO .003 [0.08] Cu PLATING TO ACHIEVE $\varnothing .040 \pm .003$ [1.02 \pm .07] HOLE.

⑩ "DIM XXX" TO BE DETERMINED BY THE CUSTOMER.

⑪ CONNECTOR KEEP-OUT ZONE.

mat'l code		SEE NOTE 2	tolerances unless otherwise specified	CUSTOMER	
ltr	ecm no.	dr	date	COPY	
A				projection	title
			linear	$XX \pm .01/0$ $XX \pm 0.3$	5P + 24S
			angles	$XXX \pm .002/0$ $XXX \pm 0.051$	VERTICAL PRESS FIT RECEPT
			dr	$0^\circ \pm 7^\circ$	product family
			engr	CS 12/08/05	PwrBlade
			chr	STEVEN WANG 12/08/05	code
			oppd	VICTOR LIN 12/08/05	213
				JOSEPH HSIA 12/08/05	sheet
				INCH/MM	4 of 4
sheet index	revision sheet			scale	size
				1:1	dwg no
					A 51940-181

1 | 2

Pro/E

3 |

code code 22526

4

PDM: Rev:A STATUS:Released