

Excellent Integrated System Limited

Stocking Distributor

Click to view price, real time Inventory, Delivery & Lifecycle Information:

[FCI](#)
[51940-190LF](#)

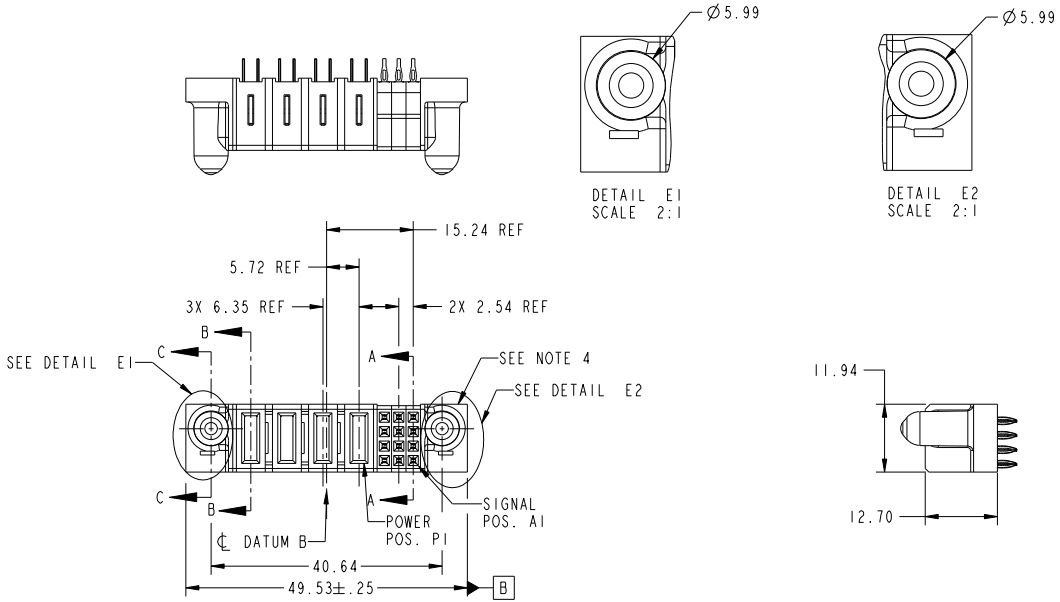
For any questions, you can email us directly:
sales@integrated-circuit.com

Tous droits strictement réservés. Reproduction ou communication à des tiers
interdite sous quelque forme que ce soit sans autorisation écrite du propriétaire.
Property of FCI. Copyright FCI. Droits de reproduction FCI.



All rights strictly reserved. Reproduction or issue to third parties in any
form whatever is not permitted without written authority from the proprietor.
Property of FCI. Copyright FCI.

PRODUCT NO.	ROWS	POWER					SIGNAL				E1
		E2	P4	P3	P2	P1	3	2	1		
51940-190-- NOTE ③	D C B A										



CODE	DIM "M" MATING LENGTH	CONTACT TYPE
PC	[1.07]	POWER
F	[N/A]	SIGNAL
PF	[2.34]	POWER

SEE NOTE		tolerances unless otherwise specified		CUSTOMER	
ltr	ecm no.	dr	date	linear	projection
A	DG06-0200	JULIA	05/26/06	0.X ± 0.3	0.XX ± 0.10
B	DG06-0367	JULIA	09/07/06	0.XXX ± 0.050	0° ± 2°
angles		dr		enr	
		JULIA WANG 05/26/06		SALLY LUO 06/06/06	
		enr		chr	
		BEER FU 05/26/06		appd	
		JOSEPH HSIA 05/26/06		scale	
sheet index		revision sheet		scale	
1		2		1:1	

CONFIDENTIAL



www.fciconnect.com

title 12S + 4P
VERTICAL PRESS FIT RECEPT

product family PwrBlade code 213
size dwg no A 51940-190 sheet 1 of 4

1 | 2

Pro/E

PDM: Rev: B

STATUS: Released

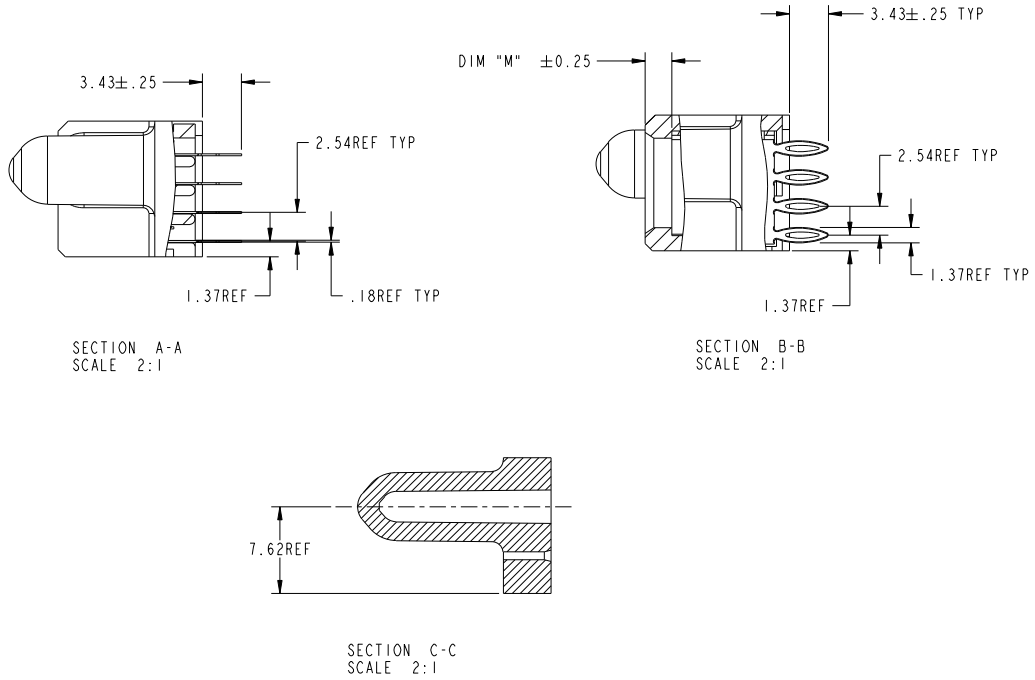
Printed: Dec 20, 2010

Tous droits strictement réservés. Reproduction ou communication à des tiers interdite sous quelque forme que ce soit sans autorisation écrite du propriétaire. Propriété de FCI. Droits de reproduction FCI.

All rights strictly reserved. Reproduction or issue to third parties in any form whatsoever is not permitted without written authority from the proprietor. Property of FCI. Copyright FCI.



PRODUCT NUMBER
51940-190..
NOTE: 3



CONFIDENTIAL

mat'l code		SEE NOTE		tolerances unless otherwise specified		CUSTOMER		FCI	
ltr	ecm no.	dr	date	linear	0.X ± 0.3	COPY	www.fciconnect.com		
B					0.XX ± 0.10	projection		title 12S + 4P	
				angles	0.XXX ± 0.050			VERTICAL PRESS FIT RECEPT	
					0° ± 2°	MM		product family	PwrBlade
		dr	JULIA WANG	05/26/06		scale	1:1	size	51940-190
		enr	SALLY LUO	06/06/06				code	213
		chr	BEER FU	05/26/06				sheet	2 of 4
		appd	JOSEPH HSIA	05/26/06					
sheet index	revision sheet								

Pro/E

PDM: Rev:B

STATUS: **Released**

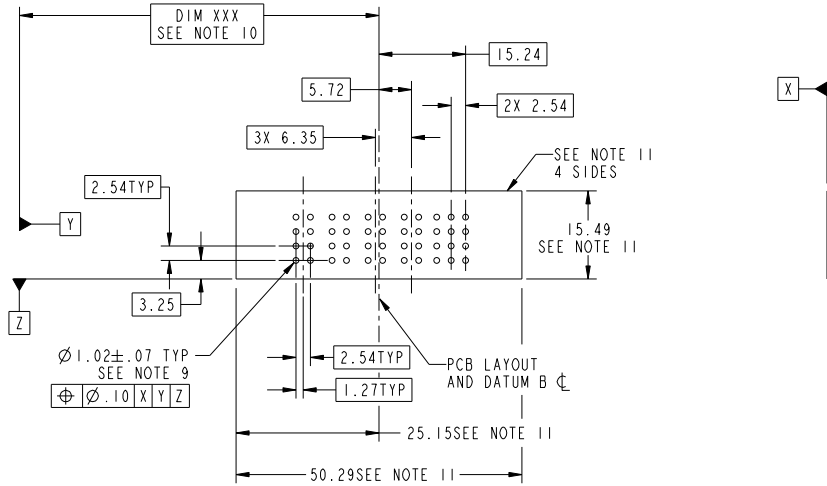
Printed: Dec 20, 2010

Tous droits strictement réservés. Reproduction ou communication à des tiers
 interdite sous quelque forme que ce soit sans autorisation écrite du propriétaire.
 Property of FCI. Copyright FCI. Droits de reproduction FCI.



All rights strictly reserved. Reproduction or issue to third parties in any
 form whatever is not permitted without written authority from the proprietor.
 Property of FCI. Copyright FCI.

PRODUCT NUMBER
 51940-190..
 NOTE: 3



CONFIDENTIAL

mat'l code		SEE NOTE		tolerances unless otherwise specified		CUSTOMER		FCI	
ltr	ecn no.	dr	date	linear	0.X ± 0.3	COPY	www.fciconnect.com		
B				angles	0.XX ± 0.10	projection		title 12S + 4P	
					0.XXX ± 0.050	MM		VERTICAL PRESS FIT RECEPT	
				dr	0° ± 2°	scale		product family	PwrBlade
				enr	JULIA WANG 05/26/06	1:1		size	213
				chr	SALLY LUO 06/06/06			dwg no	51940-190
				appd	BEER FU 05/26/06			sheet	3 of 4
					JOSEPH HSIA 05/26/06				
sheet index	revision sheet								

1 | 2

Pro/E

PDM: Rev: B

STATUS: **Released**

Printed: Dec 20, 2010

Tous droits strictement réservés. Reproduction ou communication à des tiers interdite sous quelque forme que ce soit sans autorisation écrite du propriétaire. Propriété de FCI. Droits de reproduction FCI.

All rights strictly reserved. Reproduction or issue to third parties in any form whatever is not permitted without written authority from the proprietor. Property of FCI. Copyright FCI.

1 2	3	4																																																																																																				
PRODUCT NUMBER 51940-190.. NOTE: 3																																																																																																						
NOTES: 1. DIMENSIONS AND TOLERANCES ARE IN ACCORDANCE WITH ASME Y14.5M, 1994 UNLESS OTHERWISE SPECIFIED. CONNECTOR NOTES: ② HOUSING MATERIAL: UL 94 V-0 GLASS FILLED HIGH-TEMP THERMOPLASTIC POWER CONTACT MATERIAL: COPPER ALLOY SIGNAL PIN MATERIAL: COPPER ALLOY 3. PLATING SPEC. 51940-190,51940-190LF PLATING SPEC. WAS SHOWN IN THE PRINT OF 10064183. ④ MANUFACTURER'S NAME, P/N, AND DATE CODE TO APPEAR ON THIS SURFACE. 5. PRODUCT SPECIFICATION GS-12-149. APPLICATION SPECIFICATION BUS-20-067. 6. PACKAGED IN TRAYS. PCB NOTES: 7. ALL HOLE DIAMETERS ARE FINISHED HOLE SIZE. ⑧ MOUNTING HOLES, WHERE APPLICABLE, ARE UNPLATED. ⑨ $\varnothing .0453 \pm .0010$ [1.151 \pm 0.025] DRILLED HOLES PLATED WITH .0003 [0.008] MIN SnPb OR Sn OVER .001 [0.03] TO .003 [0.08] Cu PLATING TO ACHIEVE $\varnothing .040 \pm .003$ [1.02 \pm .07] HOLE. ⑩ "DIM XXX" TO BE DETERMINED BY THE CUSTOMER. ⑪ CONNECTOR KEEP-OUT ZONE.																																																																																																						
CONFIDENTIAL																																																																																																						
<table border="1" style="width: 100%; border-collapse: collapse;"> <tr> <td colspan="2">mat'l code</td> <td colspan="2">SEE NOTE</td> <td colspan="2">tolerances unless otherwise specified</td> <td colspan="2">CUSTOMER</td> <td colspan="2" style="text-align: center;"> www.fciconnect.com</td> </tr> <tr> <td>ltr</td> <td>ecn no.</td> <td>dr</td> <td>date</td> <td>linear</td> <td>$0.X \pm 0.3$</td> <td>COPY</td> <td rowspan="2" style="text-align: center;"> projection </td> <td colspan="2">title</td> </tr> <tr> <td>B</td> <td></td> <td></td> <td></td> <td></td> <td>$0.XX \pm 0.10$</td> <td></td> <td colspan="3">12S + 4P</td> </tr> <tr> <td></td> <td></td> <td></td> <td></td> <td>angles</td> <td>$0.XXX \pm 0.050$</td> <td rowspan="2" style="text-align: center;"> MM </td> <td colspan="3">VERTICAL PRESS FIT RECEPT</td> </tr> <tr> <td></td> <td></td> <td></td> <td></td> <td></td> <td>$0^\circ \pm 2^\circ$</td> <td>product family</td> <td>PwrBlade</td> <td>code</td> <td>213</td> </tr> <tr> <td></td> <td></td> <td>dr</td> <td>JULIA WANG</td> <td>05/26/06</td> <td></td> <td>scale</td> <td>A</td> <td>size</td> <td>51940-190</td> </tr> <tr> <td></td> <td></td> <td>enr</td> <td>SALLY LUO</td> <td>06/06/06</td> <td></td> <td></td> <td></td> <td>dwg no</td> <td></td> </tr> <tr> <td></td> <td></td> <td>chr</td> <td>BEER FU</td> <td>05/26/06</td> <td></td> <td></td> <td></td> <td>sheet</td> <td>4 of 4</td> </tr> <tr> <td></td> <td></td> <td>appd</td> <td>JOSEPH HSIA</td> <td>05/26/06</td> <td></td> <td></td> <td></td> <td></td> <td></td> </tr> <tr> <td>sheet index</td> <td>revision sheet</td> <td></td> <td></td> <td></td> <td></td> <td></td> <td></td> <td></td> <td></td> </tr> </table>			mat'l code		SEE NOTE		tolerances unless otherwise specified		CUSTOMER		www.fciconnect.com		ltr	ecn no.	dr	date	linear	$0.X \pm 0.3$	COPY	 projection	title		B					$0.XX \pm 0.10$		12S + 4P							angles	$0.XXX \pm 0.050$	 MM	VERTICAL PRESS FIT RECEPT								$0^\circ \pm 2^\circ$	product family	PwrBlade	code	213			dr	JULIA WANG	05/26/06		scale	A	size	51940-190			enr	SALLY LUO	06/06/06				dwg no				chr	BEER FU	05/26/06				sheet	4 of 4			appd	JOSEPH HSIA	05/26/06						sheet index	revision sheet								
mat'l code		SEE NOTE		tolerances unless otherwise specified		CUSTOMER		www.fciconnect.com																																																																																														
ltr	ecn no.	dr	date	linear	$0.X \pm 0.3$	COPY	 projection	title																																																																																														
B					$0.XX \pm 0.10$			12S + 4P																																																																																														
				angles	$0.XXX \pm 0.050$	 MM	VERTICAL PRESS FIT RECEPT																																																																																															
					$0^\circ \pm 2^\circ$		product family	PwrBlade	code	213																																																																																												
		dr	JULIA WANG	05/26/06		scale	A	size	51940-190																																																																																													
		enr	SALLY LUO	06/06/06				dwg no																																																																																														
		chr	BEER FU	05/26/06				sheet	4 of 4																																																																																													
		appd	JOSEPH HSIA	05/26/06																																																																																																		
sheet index	revision sheet																																																																																																					

1 | 2

Pro/E

PDM: Rev: B

STATUS: **Released**

Printed: Dec 20, 2010