

## Excellent Integrated System Limited

Stocking Distributor

Click to view price, real time Inventory, Delivery & Lifecycle Information:

[FCI](#)

[51940-192LF](#)

For any questions, you can email us directly:

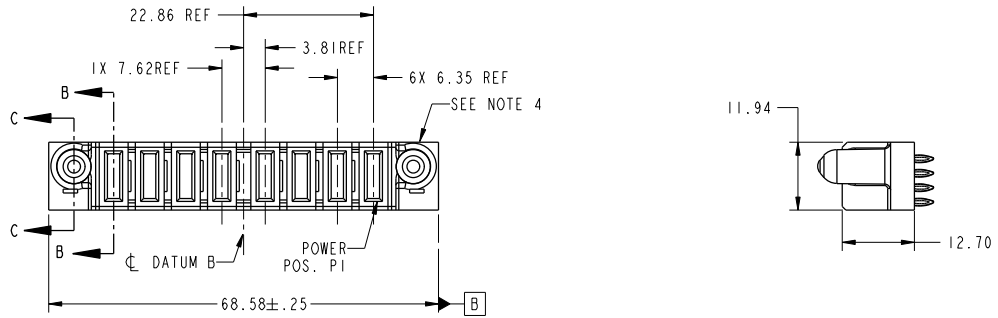
[sales@integrated-circuit.com](mailto:sales@integrated-circuit.com)

Tous droits strictement réservés. Reproduction ou communication à des tiers interdite sans quelque forme que ce soit sans autorisation écrite du propriétaire. Propriété de c FCI. Droits de reproduction FCI.



All rights strictly reserved. Reproduction or issue to third parties, in any form whatsoever is not permitted without written authority from the proprietor. Property of FCI. Copyright FCI.

PRODUCT NO.	POWER									
	E2	P8	P7	P6	P5	P4	P3	P2	P1	E1
51940-192-- NOTE: 3										



CODE	DIM "M" MATING LENGTH	CONTACT TYPE
PC	[1.07]	POWER

mat'l code		SEE NOTE 2		tolerances unless otherwise specified		CUSTOMER		FCI	
ltr	ecn no.	dr	date	linear	0.X ± 0.3	projection	COPY	www.fciconnect.com	
A	DG06-0259	JULIA	29/06/06	angles	0.XX ± 0.10			title 8P	
				dr	0.XXX ± 0.050			VERTICAL PF RECEPT	
				enr	0° ± 2°	MM		product family	PwrBlade
				chr		scale		size	dwg no
				appd		1:1		A	51940-192
sheet index	revision sheet	A	A	A	A			code	213
		1	2	3	4			sheet	1 of 4

1 | 2

Pro/E

PDM: Rev: A

STATUS: Released

Printed: Dec 20, 2010

B

B

4

3 |

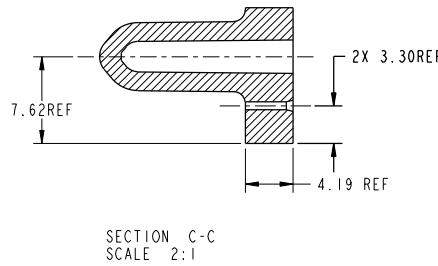
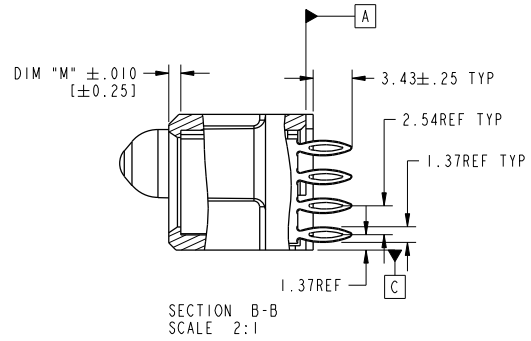
1 | 2

Tous droits strictement réservés. Reproduction ou communication à des tiers interdite sous quelque forme que ce soit sans autorisation écrite du propriétaire. Propriété de c FCI. Droits de reproduction FCI.



All rights strictly reserved. Reproduction or issue to third parties in any form whatever is not permitted without written authority from the proprietor. Property of FCI. Copyright FCI.

PRODUCT NUMBER  
51940-192..  
NOTE: 3



CONFIDENTIAL

mat'l code				tolerances unless otherwise specified		CUSTOMER		FCI		www.fciconnect.com	
lfr	ecn no.	dr	date	linear	0.X ±0.3	COPY		title			
A					0.XX ±0.10	projection		8P			
				angles	0.XXX ±0.050	⊕		VERTICAL PF RECEPT			
					0° ±2°	MM		product family		code	
				dr	JULIA WANG 29/06/06	scale		PwrBlade		213	
				enr	SALLY LUO mm/dd/yy	1:1		size		sheet	
				chr	BEER FU 29/06/06			A		51940-192	
				appd	JOSEPH HSIA 29/06/06					2 of 4	
sheet index	revision sheet										

Pro/E

PDM: Rev: A

STATUS: Released

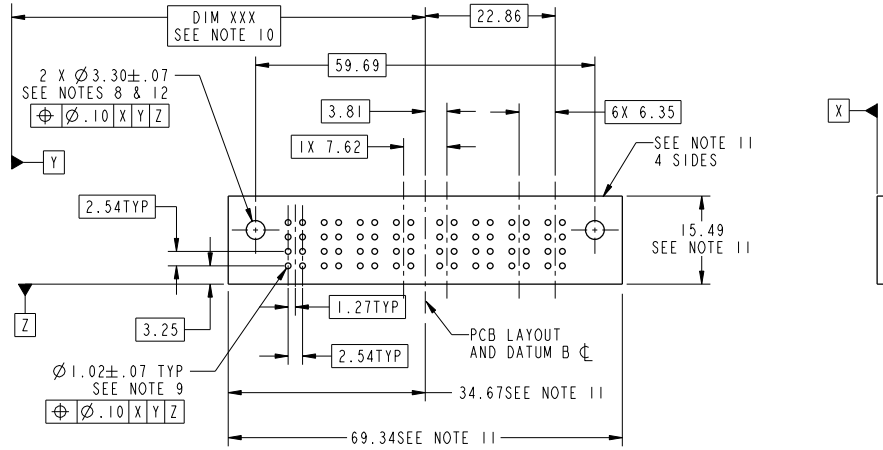
Printed: Dec 20, 2010

Tous droits strictement réservés. Reproduction ou communication à des tiers  
interdite sous quelque forme que ce soit sans autorisation écrite du propriétaire.  
Propriété de c FCI. Droits de reproduction FCI.



All rights strictly reserved. Reproduction or issue to third parties in any  
form whatever is not permitted without written authority from the proprietor.  
Property of FCI. Copyright FCI.

PRODUCT NUMBER  
51940-192..  
NOTE: 3



CONFIDENTIAL

mat'l code				tolerances unless otherwise specified		CUSTOMER		FCI	
litr	ecn no.	dr	date	linear	0.X ± 0.3	COPY	www.fciconnect.com		
A				linear	0.XX ± 0.10	projection	title 8P		
				angles	0.XXX ± 0.050	MM	VERTICAL PF RECEPT		
				dr	JULIA WANG 29/06/06	scale	product family	PwrBlade	code
				enr	SALLY LUO mm/dd/yy	1:1	size	dwg no	213
				chr	BEER FU 29/06/06		A	51940-192	sheet
				appd	JOSEPH HSIA 29/06/06				3 of 4
sheet index	revision sheet								

1 | 2

Pro/E

PDM: Rev: A

STAT

US: Released

4

Printed: Dec 20, 2010

Tous droits strictement réservés. Reproduction ou communication à des tiers  
 interdite sous quelque forme que ce soit sans autorisation écrite du propriétaire.  
 Property of FCI. Copyright FCI. Droits de reproduction FCI.



All rights strictly reserved. Reproduction or issue to third parties in any  
 form whatsoever is not permitted without written authority from the proprietor.  
 Property of FCI. Copyright FCI.

PRODUCT NUMBER  
 51940-192..  
 NOTE: 3

NOTES:

1. DIMENSIONS AND TOLERANCES ARE IN ACCORDANCE WITH  
 ASME Y14.5M, 1994 UNLESS OTHERWISE SPECIFIED.

CONNECTOR NOTES:

- 2 HOUSING MATERIAL: UL 94 V-0 GLASS FILLED  
 HIGH-TEMP THERMOPLASTIC  
 POWER CONTACT MATERIAL: COPPER ALLOY  
 SIGNAL PIN MATERIAL: COPPER ALLOY
  - 3. PLATING SPEC.  
 51940-192,51940-192LF PLATING SPEC. WAS SHOWN IN THE PRINT OF 10064183.
  - 4 MANUFACTURER'S NAME, P/N, AND DATE CODE TO APPEAR ON  
 THIS SURFACE.
  - 5. PRODUCT SPECIFICATION GS-12-149.  
 APPLICATION SPECIFICATION BUS-20-067.
  - 6. PACKAGED IN TRAYS.
- PCB NOTES:
- 7. ALL HOLE DIAMETERS ARE FINISHED HOLE SIZE.
  - 8 MOUNTING HOLES, WHERE APPLICABLE, ARE UNPLATED.
  - 9  $\varnothing .0453 \pm .0010$  [1.151  $\pm$  0.025] DRILLED HOLES PLATED WITH  
 .0003 [0.008] MIN SnPb OVER .001 [0.03]  
 TO .003 [0.08] Cu PLATING TO ACHIEVE  
 $\varnothing .040 \pm .003$  [1.02  $\pm$  .07] HOLE.
  - 10 "DIM XXX" TO BE DETERMINED BY THE CUSTOMER.
  - 11 CONNECTOR KEEP-OUT ZONE.
  - 12 RECOMMENDED RETENTION TO PCB  
 $\varnothing 3.3$  THRU HOLE FOR #5 SOCKET HEAD CAP SCREW  
 MAX. HEAD 5.21 RECOMMENED SCREW LENGTH 12mm + PCB THICKNESS.  
 RECOMMENDED SCREW SEATING TO PCB TORQUE: 2-5 lbf-in (2300-5760 gf-cm)

CONFIDENTIAL

mat'l code				tolerances unless otherwise specified		CUSTOMER		FCI	
ltr	ecn no.	dr	date	linear	angles	projection	copy	title	www.fciconnect.com
A				0.X $\pm$ 0.3				8P	
				0.XX $\pm$ 0.10				VERTICAL PF RECEPT	
				0.XXX $\pm$ 0.050	0° $\pm$ 2°			product family PwrBlade	code 213
		dr	JULIA WANG	29/06/06		MM		size	sheet 4 of 4
		enr	SALLY LUO	mm/dd/yy				dwg no	
		chr	BEER FU	29/06/06				A	51940-192
		appd	JOSEPH HSIA	29/06/06		scale	1:1		
sheet index	revision sheet								

1 | 2

Pro/E

PDM: Rev: A

STAT

cage code 22536  
 US: Released

4  
 Printed: Dec 20, 2010