

Excellent Integrated System Limited

Stocking Distributor

Click to view price, real time Inventory, Delivery & Lifecycle Information:

[FCI](#)

[51940-206LF](#)

For any questions, you can email us directly:

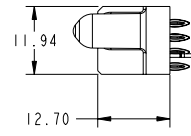
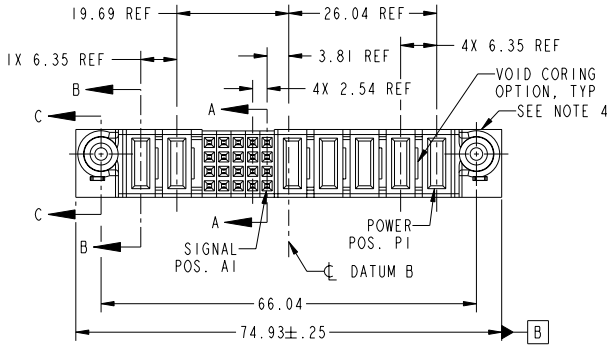
sales@integrated-circuit.com

Tous droits strictement réservés. Reproduction ou communication à des tiers interdite sous quelque forme que ce soit sans autorisation écrite du propriétaire. Propriété de c FCI. Droits de reproduction FCI.



All rights strictly reserved. Reproduction or issue to third parties in any form whatever is not permitted without written authority from the proprietor. Property of FCI. Copyright FCI.

PRODUCT NO.	ROWS	POWER		SIGNAL					POWER					E1	
		E2	P6	P6	5	4	3	2	1	P5	P4	P3	P2		P1
51940-206... NOTE: 3	D C B A														



CODE	DIM "M" MATING LENGTH	CONTACT TYPE
PF	[2.34]	POWER
F	[N/A]	SIGNAL
HA	[N/A]	HOLD-DOWN

mat'l code		SEE NOTES		tolerances unless otherwise specified		CUSTOMER		FCI	
lir	ecm no.	dr	date	linear	0.X ± 0.3	COPY		www.fciconnect.com	
A	DG06-0483	JULIA	11/15/06	angles	0.XX ± 0.13	projection		title	
					0.XXX ± 0.051	MM		5P + 20S + 2P	
				dr	0° ± 2°	MM		VERTICAL PF RECEPT	
				engr	JULIA WANG 11/15/06	product family		PwrBlade	
				chr	RYAN YUAN 11/15/06	size		code	
				appd	BEER FU 11/15/06	A		213	
					JOSEPH HSIA 11/15/06	scale		sheet	
						1:1		1 of 4	
sheet index	revision sheet	A	A	A	A				
1	2	3	4						

Pro/E

cage code 22526

PDM: Rev:A

STATUS: Released

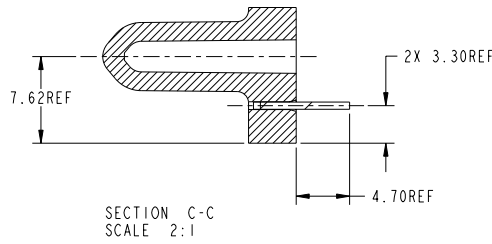
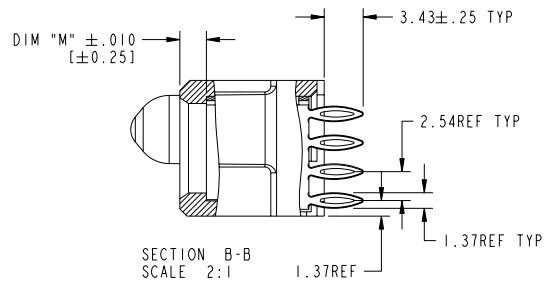
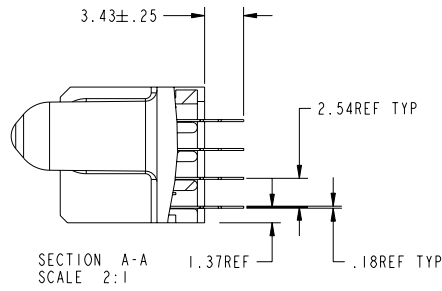
Printed: Dec 20, 2010

Tous droits strictement réservés. Reproduction ou communication a des tiers interdite sous quelque forme que ce soit sans autorisation écrite du propriétaire. Propriété de c FCI. Droits de reproduction FCI.



All rights strictly reserved. Reproduction or issue to third parties in any form whatever is not permitted without written authority from the proprietor. Property of FCI. Copyright FCI.

PRODUCT NUMBER
51940-206...
NOTE: 3



mat'l code		tolerances unless otherwise specified		CUSTOMER		FCI	
lfr	ecn no.	dr	date	linear	0.X ± 0.3	COPY	www.fciconnect.com
A				linear	0.XX ± 0.13	projection	
				linear	0.XXX ± 0.051	MM	title
				angles	0° ± 2°	MM	5P + 20S + 2P
				dr	JULIA WANG 11/15/06	MM	VERTICAL PF RECEPT
				engr	RYAN YUAN 11/15/06	MM	product family
				chr	BEER FU 11/15/06	MM	PwrBlade
				appd	JOSEPH HSIA 11/15/06	MM	code
						MM	213
sheet index	revision sheet			scale	1:1	A	size
							dwg no
							51940-206
							sheet
							2 of 4

Pro/E

cage code 22526

PDM: Rev:A

STATUS: Released

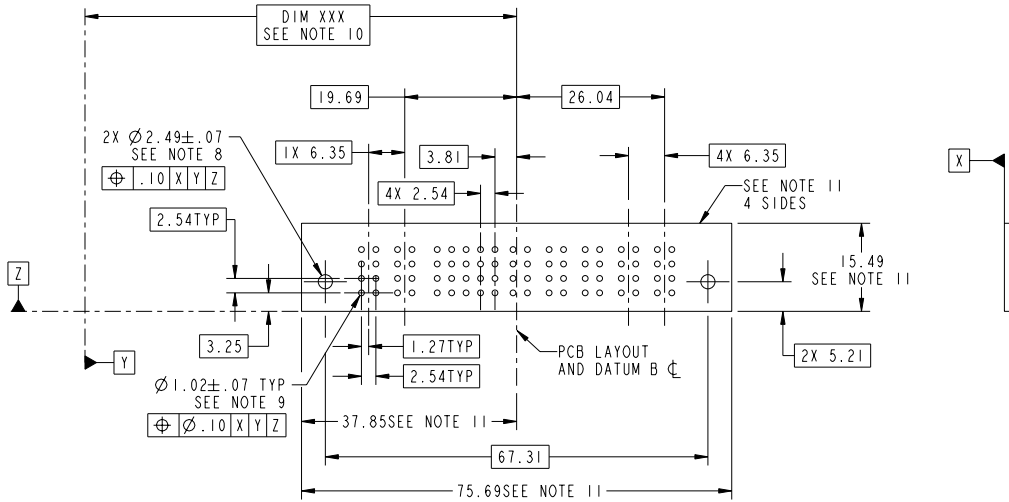
Printed: Dec 20, 2010

Tous droits strictement réservés. Reproduction ou communication à des tiers interdite sous quelque forme que ce soit sans autorisation écrite du propriétaire. Propriété de c FCI. Droits de reproduction FCI.



All rights strictly reserved. Reproduction or issue to third parties in any form whatever is not permitted without written authority from the proprietor. Property of FCI. Copyright FCI.

PRODUCT NUMBER
51940-206...
NOTE: 3



mat'l code		tolerances unless otherwise specified		CUSTOMER		FCI	
lfr	ecr no.	dr	date	linear	0.X ± 0.3	projection	www.fciconnect.com
A				linear	0.XX ± 0.13	title	5P + 20S + 2P
				angles	0.XXX ± 0.051	product family	PwrBlade
				dr	0° ± 2°	size	code 213
				eng	JULIA WANG 11/15/06	scale	sheet 3 of 4
				chr	RYAN YUAN 11/15/06	dwg no	51940-206
				appd	BEER FU 11/15/06	scale	1:1
					JOSEPH HSIA 11/15/06	projection	A
sheet index	revision sheet						

Pro/E

cage code 22526

Tous droits strictement réservés. Reproduction ou communication à des tiers interdite sous quelque forme que ce soit sans autorisation écrite du propriétaire. Propriété de c FCI. Droits de reproduction FCI.



All rights strictly reserved. Reproduction or issue to third parties in any form whatever is not permitted without written authority from the proprietor. Property of FCI. Copyright FCI.

PRODUCT NUMBER
51940-206..
NOTE: 3

NOTES:

1. DIMENSIONS AND TOLERANCES ARE IN ACCORDANCE WITH ASME Y14.5M, 1994 UNLESS OTHERWISE SPECIFIED.

CONNECTOR NOTES:

- ② HOUSING MATERIAL: UL 94 V-0 GLASS FILLED
HIGH-TEMP THERMOPLASTIC
POWER CONTACT MATERIAL: COPPER ALLOY
SIGNAL PIN MATERIAL: COPPER ALLOY
 - 3. PLATING SPEC.
51940-206, 51940-206LF PLATING SPEC. WAS SHOWN IN THE PRINT OF 10064183.
 - ④ MANUFACTURER'S NAME, P/N, AND DATE CODE TO APPEAR ON THIS SURFACE.
 - 5. PRODUCT SPECIFICATION GS-12-149.
APPLICATION SPECIFICATION BUS-20-067.
 - 6. PACKAGED IN TRAYS.
- PCB NOTES:
- 7. ALL HOLE DIAMETERS ARE FINISHED HOLE SIZE.
 - ⑧ MOUNTING HOLES, WHERE APPLICABLE, ARE UNPLATED.
 - ⑨ $\varnothing 1.151 \pm 0.025$ DRILLED HOLES PLATED WITH
0.008 MIN SnPb OR Sn OVER 0.03
TO 0.08 Cu PLATING TO ACHIEVE
 $\varnothing 1.02 \pm 0.07$ HOLE.
 - ⑩ "DIM XXX" TO BE DETERMINED BY THE CUSTOMER.
 - ⑪ CONNECTOR KEEP-OUT ZONE.

mat'l code				tolerances unless otherwise specified		CUSTOMER		FCI	
lfr	ecn no.	dr	date	linear	0.X ± 0.3	COPY	www.fciconnect.com		
A				linear	0.XX ± 0.13	projection	title 5P + 20S + 2P		
				angles	0.XXX ± 0.051		VERTICAL PF RECEPT		
				angles	0° ± 2°		product family	PwrBlade	code
				dr	JULIA WANG 11/15/06	scale	A	51940-206	213
				eng	RYAN YUAN 11/15/06	1:1	size	dwg no	sheet
				chr	BEER FU 11/15/06			4 of 4	
				appd	JOSEPH HSIA 11/15/06				
sheet index	revision sheet								

Pro/E

cage code 22526

PDM: Rev:A

STATUS: Released

Printed: Dec 20, 2010