

Excellent Integrated System Limited

Stocking Distributor

Click to view price, real time Inventory, Delivery & Lifecycle Information:

[FCI](#)

[51940-238LF](#)

For any questions, you can email us directly:

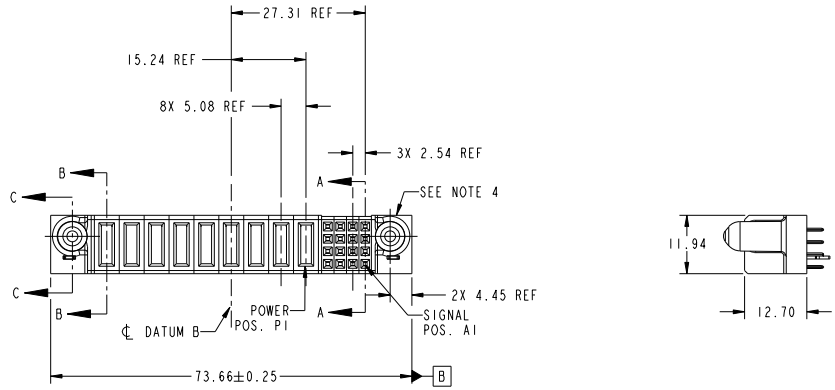
sales@integrated-circuit.com

Tous droits strictement réservés. Reproduction ou communication à des tiers interdite sous quelque forme que ce soit sans autorisation écrite du propriétaire. Propriété de FCI. Droits de reproduction FCI.

All rights strictly reserved. Reproduction or issue to third parties in any form whatever is not permitted without written authority from the proprietor. Property of FCI. Copyright FCI.



PRODUCT NO.	ROWS	POWER									SIGNAL				
		E2	P9	P8	P7	P6	P5	P4	P3	P2	P1	1	2	3	E1
51940-238..	D C A	HA	PA	X	PA	PA	PA	PA	PA	PA	PA	PA	PA	PA	PA
NOTE: 3															



CODE	DIM "M" MATING LENGTH	CONTACT TYPE
E	[N/A]	SIGNAL
PA	[1.07]	POWER
HA	[N/A]	HOLD-DOWN
X		OMITTED

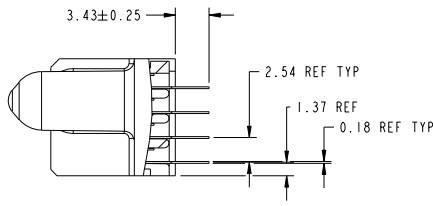
mat'l code				SEE NOTE 2	tolerances unless otherwise specified	CUSTOMER	FCI
lfr	ecn no.	dr	date	linear	0.X ± 0.3	COPY	www.fciconnect.com
A	DG07-0408	SH	09/28/07		0.XX ± 0.13	projection	title
B	DG08-0042	SH	02/21/08		0.XXX ± 0.051		VERTICAL SOLDER RECEPT
				angles	0° ± 2°	MM	product family
				dr	Sincere He	09/28/07	PwrBlade
				enrg	JEROME CHEN	09/28/07	code
				chr	Gary Hsieh	09/28/07	size
				oppd	Joseph Hsiao	09/28/07	dwg no
sheet index	revision sheet	B 1	B 2	B 3	B 4	scale	51940-238
						1:1	213 sheet 1 of 4
							cage code
							22526

Tous droits strictement réservés. Reproduction ou communication à des tiers interdite sous quelque forme que ce soit sans autorisation écrite du propriétaire. Propriété de FCI. Droits de reproduction FCI.

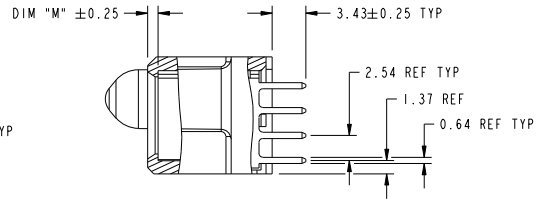
All rights strictly reserved. Reproduction or issue to third parties in any form whatever is not permitted without written authority from the proprietor. Property of FCI. Copyright FCI.



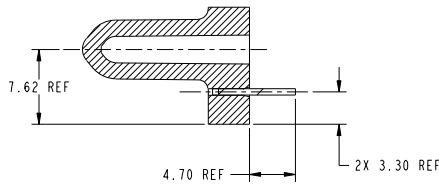
PRODUCT NUMBER
51940-238..
NOTE: 3



SECTION A-A
SCALE 2:1



SECTION B-B
SCALE 2:1



SECTION C-C
SCALE 2:1

mat'l code		SEE NOTE 2		tolerances unless otherwise specified		CUSTOMER		FCI		www.fciconnect.com	
ltr	ecm no.	dr	date	linear	0.X ±0.3	projection	COPY	title			
B					0.XX ±0.13			16S + 9P			
				angles	0.XXX ±0.051			VERTICAL SOLDER RECEPT			
				dr	0° ±2°			product family	PwrBlade	code	213
				engr	Sincere He 09/28/07	MM		size	dwg no	51940-238	sheet
				chr	JEROME CHEN 09/28/07	scale	1:1	A			2 of 4
				appd	Gary Hsieh 09/28/07						
sheet index	revision sheet										
										cage code	22526

Pro/E

PDM: Rev:B

STATUS: Released

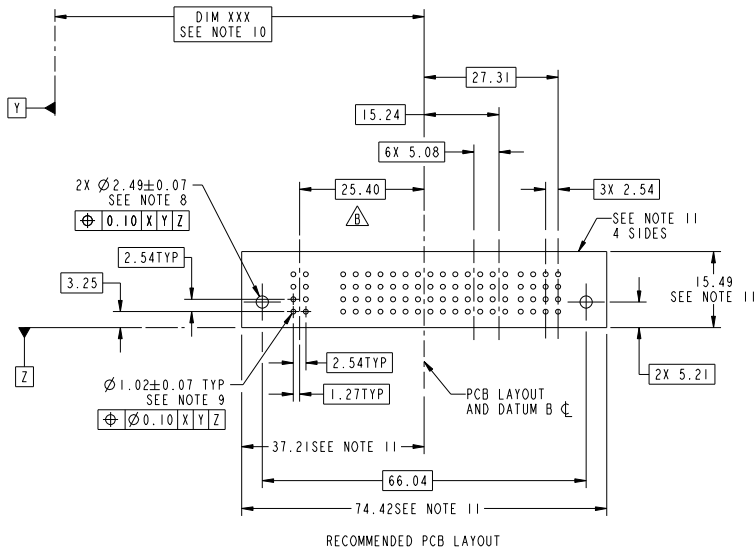
Printed: Dec 20, 2010

Tous droits strictement réservés. Reproduction ou communication à des tiers interdite sous quelque forme que ce soit sans autorisation écrite du propriétaire. Propriété de FCI. Droits de reproduction FCI.

All rights strictly reserved. Reproduction or issue to third parties in any form whatever is not permitted without written authority from the proprietor. Property of FCI. Copyright FCI.



PRODUCT NUMBER
51940-238...
NOTE: 3



RECOMMENDED PCB LAYOUT

mat'l code		SEE NOTE 2	tolerances unless otherwise specified	CUSTOMER	FCI www.fciconnect.com	
ltr	ecm no.	dr	date	linear	0.X ± 0.3	projection
B					0.XX ± 0.13	MM
				angles	0.XXX ± 0.051	MM
				dr	0° ± 2°	MM
				engr	Sincere He 09/28/07	scale
				chr	JEROME CHEN 09/28/07	1:1
				oppd	Gary Hsieh 09/28/07	
					Joseph Hsia 09/28/07	
sheet index	revision sheet					

Tous droits strictement réservés. Reproduction ou communication à des tiers interdite sous quelque forme que ce soit sans autorisation écrite du propriétaire. Propriété de FCI. Droits de reproduction FCI.

All rights strictly reserved. Reproduction or issue to third parties in any form whatever is not permitted without written authority from the proprietor. Property of FCI. Copyright FCI.

PRODUCT NUMBER
51940-238...
NOTE: 3

NOTES:

1. DIMENSIONS AND TOLERANCES ARE IN ACCORDANCE WITH ASME Y14.5M, 1994 UNLESS OTHERWISE SPECIFIED.

CONNECTOR NOTES:

- ② HOUSING MATERIAL: UL 94 V-0 GLASS FILLED
HIGH-TEMP THERMOPLASTIC
POWER CONTACT MATERIAL: COPPER ALLOY
SIGNAL PIN MATERIAL: COPPER ALLOY
- 3. PLATING SPEC.
51940-238, 51940-238LF PLATING SPEC. WAS SHOWN IN THE PRINT OF 10064183.
- ④ MANUFACTURER'S NAME, P/N, AND DATE CODE TO APPEAR ON THIS SURFACE.
- 5. PRODUCT SPECIFICATION GS-12-149.
APPLICATION SPECIFICATION BUS-20-067.
- 6. PACKAGED IN TRAYS.
- PCB NOTES:
- 7. ALL HOLE DIAMETERS ARE FINISHED HOLE SIZE.
- ⑧ MOUNTING HOLES, WHERE APPLICABLE, ARE UNPLATED.
- ⑨ $\varnothing 1.151 \pm 0.025$ DRILLED HOLES PLATED WITH 0.008 MIN SnPb OR Sn OVER 0.03 TO 0.08 Cu PLATING TO ACHIEVE $\varnothing 1.02 \pm .07$ HOLE.
- ⑩ "DIM XXX" TO BE DETERMINED BY THE CUSTOMER.
- ⑪ CONNECTOR KEEP-OUT ZONE.
- 12: A SYMBOL WILL BE NEXT TO ANY DIMENSION, VIEW, OR NOTE WHICH HAS BEEN MODIFIED WITH CURRENT DRAWING REVISION.

mat'l code				SEE NOTE 2	tolerances unless otherwise specified	CUSTOMER	FCI		www.fciconnect.com
ltr	ecm no.	dr	date	linear	0.X ± 0.3	COPY			
B					0.XX ± 0.13	projection	title		
				angles	0.XXX ± 0.051		16S + 9P		
				dr	0° ± 2°	MM	VERTICAL SOLDER RECEPT		
				eng	Sincere He 09/28/07	product family	PwrBlade	code	213
				chr	JEROME CHEN 09/28/07	size	dwg no	51940-238	sheet
				appd	Gary Hsieh 09/28/07	scale	A	4 of 4	
					Joseph Hsia 09/28/07	1:1			
sheet index	revision sheet								

Pro/E

cage code 22526