

## Excellent Integrated System Limited

Stocking Distributor

Click to view price, real time Inventory, Delivery & Lifecycle Information:

[FCI](#)

[51940-271LF](#)

For any questions, you can email us directly:

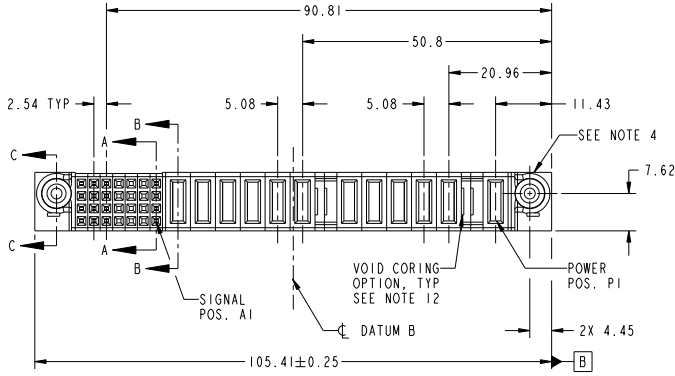
[sales@integrated-circuit.com](mailto:sales@integrated-circuit.com)

Tous droits strictement réservés. Reproduction ou communication à des tiers interdite sous quelque forme que ce soit sans autorisation écrite du propriétaire. Propriété de FCI. Droits de reproduction FCI.

All rights strictly reserved. Reproduction or issue to third parties in any form whatever is not permitted without written authority from the proprietor. Property of FCI. Copyright FCI.



PRODUCT NO.	ROWS	SIGNAL						POWER													
		E2	7	6	5	4	3	2	P12	P11	P10	P9	P8	P7	P6	P5	P4	P3	P2	P1	E1
51940-271... NOTE: 3	D B A																				



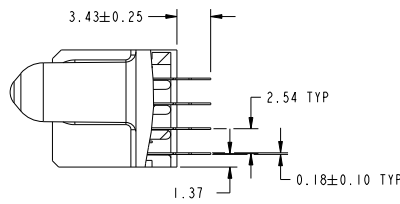
CODE	DIM "M" MATING LENGTH	CONTACT TYPE
F	[N/A]	SIGNAL
PF	[2.34]	POWER
PC	[1.07]	POWER
X	OMITTED	

SEE NOTES				tolerances unless otherwise specified		CUSTOMER	
ltr	ecm no.	dr	date	linear	0.X ±0.5	COPY	www.fciconnect.com
A	D609-0058	WD	03/05/09	angles	0.XX ±0.25	projection	title
				dr	0.XXX ±0.1		VERTICAL PRESS-FIT RECEIPT
				engr	0° ±2°	MM	product family
				chr		scale	PwrBlade
				oppd		1:1	code
sheet index	revision sheet	A 1	A 2	A 3	A 4	size	dwg no
						A	51940-271
							213 sheet 1 of 4
						cage code	22526

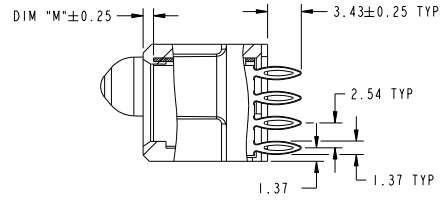
Tous droits strictement réservés. Reproduction ou communication à des tiers interdite sous quelque forme que ce soit sans autorisation écrite du propriétaire. Propriété de FCI. Droits de reproduction FCI.

All rights strictly reserved. Reproduction or issue to third parties in any form whatever is not permitted without written authority from the proprietor. Property of FCI. Copyright FCI.

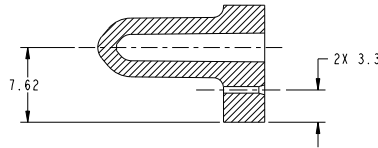
PRODUCT NUMBER  
51940-271..  
NOTE: 3



SECTION A-A  
SCALE 2:1



SECTION B-B  
SCALE 2:1



SECTION C-C  
SCALE 2:1

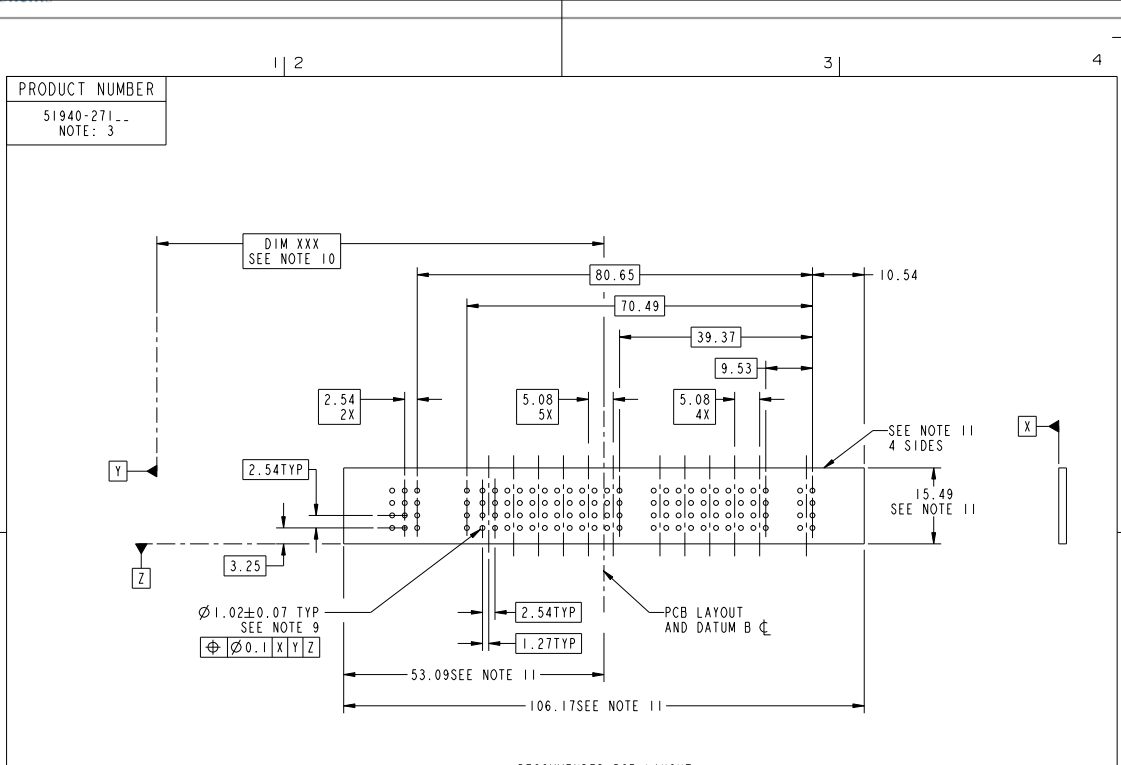
mat'l code				tolerances unless otherwise specified		CUSTOMER		FCI	
ltr	ecm no.	dr	date	linear	0.X ±0.5	COPY	www.fciconnect.com		
A					0.XX ±0.25	projection	title		
				angles	0.XXX ±0.1		12P + 28S		
				dr	0° ±2°		VERTICAL PRESS-FIT RECEIPT		
				enr	Warren Du 11/17/08	scale	product family	PwrBlade	code
				chr	Warren Du 11/17/08	1:1	size	dwg no	213
				oppd	Gary Hsieh 11/17/08		A	51940-271	sheet
					Joseph Hsia 11/17/08				2 of 4
sheet index	revision sheet								

Pro/E

cage code 22526

Tous droits strictement réservés. Reproduction ou communication à des tiers interdite sans autorisation écrite du propriétaire. Propriété de FCI. Droits de reproduction FCI.

All rights strictly reserved. Reproduction or issue to third parties in any form whatever is not permitted without written authority from the proprietor. Property of FCI. Copyright FCI.



RECOMMENDED PCB LAYOUT

mat'l code				tolerances unless otherwise specified		CUSTOMER	
ltr	ecm no.	dr	date	linear	0.X ± 0.5	projection	www.fciconnect.com
A					0.XX ± 0.25	MM	title
				angles	0.XXX ± 0.1	1:1	12P + 28S
				dr	0° ± 2°		VERTICAL PRESS-FIT RECEPT
				enr	Warren Du 11/17/08		product family
				chr	Warren Du 11/17/08		PwrBlade
				oppd	Gary Hsieh 11/17/08		code
					Joseph Hsia 11/17/08		size
sheet index	revision sheet						dwg no
							51940-271
							213 sheet
							3 of 4
							cage code
							22526

Tous droits strictement réservés. Reproduction ou communication à des tiers interdite sous quelque forme que ce soit sans autorisation écrite du propriétaire. Propriété de FCI. Droits de reproduction FCI.

All rights strictly reserved. Reproduction or issue to third parties in any form whatever is not permitted without written authority from the proprietor. Property of FCI. Copyright FCI.

**PRODUCT NUMBER**  
 51940-271..  
 NOTE: 3

**NOTES:**

1. DIMENSIONS AND TOLERANCES ARE IN ACCORDANCE WITH ASME Y14.5M, 1994 UNLESS OTHERWISE SPECIFIED.

**CONNECTOR NOTES:**

- ② HOUSING MATERIAL: UL 94 V-0 GLASS FILLED HIGH-TEMP THERMOPLASTIC  
 POWER CONTACT MATERIAL: COPPER ALLOY  
 SIGNAL PIN MATERIAL: COPPER ALLOY
- 3. SEE ITEM 7 & 8 IN PRINT 10064183 FOR PLATING SPEC OF 51940-271 AND 51940-271LF RESPECTIVELY.
- ④ MANUFACTURER'S NAME, P/N, AND DATE CODE TO APPEAR ON THIS SURFACE.
- 5. PRODUCT SPECIFICATION GS-12-149.  
 APPLICATION SPECIFICATION BUS-20-067.
- 6. PACKAGED IN TRAYS.
- PCB NOTES:
- 7. ALL HOLE DIAMETERS ARE FINISHED HOLE SIZE.

⑧ MOUNTING HOLES, WHERE APPLICABLE, ARE UNPLATED.

⑨  $\varnothing 1.151 \pm 0.025$  DRILLED HOLES PLATED WITH  
 0.008 MIN SnPb OR Sn OVER 0.03  
 TO 0.08 Cu PLATING TO ACHIEVE  
 $\varnothing 1.02 \pm 0.07$  HOLE.

⑩ "DIM XXX" TO BE DETERMINED BY THE CUSTOMER.

⑪ CONNECTOR KEEP-OUT ZONE.

12. THE VOID CORING IN BETWEEN POWER MODULES, SIGNAL MODULES AND END MODULES ARE OPTIONAL AND THE SHAPE MAY BE DIFFERENT FOR OPTIMIZE THE MOLDING PROCESS. THE VOID CORING WILL NOT EFFECT TO PRODUCT FUNCTION.

mat'l code				tolerances unless otherwise specified		CUSTOMER		FCI	
ltr	ecn no.	dr	date	linear	0.X ± 0.5	COPY		www.fciconnect.com	
A				angles	0.XX ± 0.25	projection	title		
					0.XXX ± 0.1		VERTICAL PRESS-FIT RECEIPT		
				dr	0° ± 2°		product family	PwrBlade	code
				engr	Warren Du 11/17/08	scale	size	dwg no	213
				chr	Warren Du 11/17/08	1:1	A	51940-271	sheet
				oppd	Gary Hsieh 11/17/08				4 of 4
					Joseph Hsia 11/17/08				
sheet index	revision sheet								

Pro/E

cage code 22526