

Excellent Integrated System Limited

Stocking Distributor

Click to view price, real time Inventory, Delivery & Lifecycle Information:

[FCI](#)

[51940-273LF](#)

For any questions, you can email us directly:

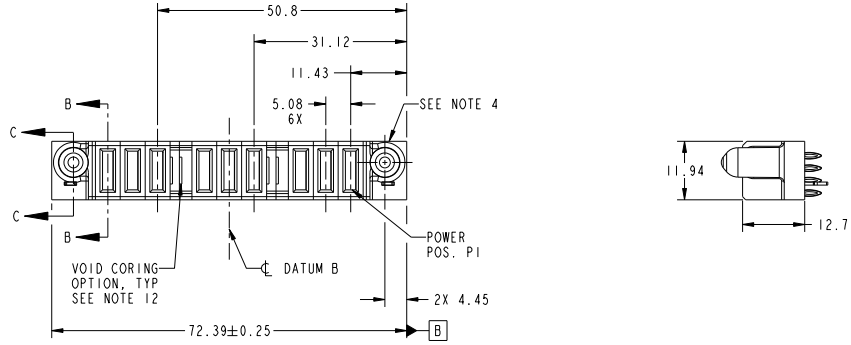
sales@integrated-circuit.com

Tous droits strictement réservés. Reproduction ou communication à des tiers interdite sous quelque forme que ce soit sans autorisation écrite du propriétaire. Propriété de E.FCI. Droits de reproduction FCI.

All rights strictly reserved. Reproduction or issue to third parties in any form whatever is not permitted without written authority from the proprietor. Property of FCI. Copyright FCI.



PRODUCT NO.	POWER										
	E2	P9	P8	P7	P6	P5	P4	P3	P2	P1	E1
51940-273... NOTE: 3											



CODE	DIM "M" MATING LENGTH	CONTACT TYPE
HA	[N/A]	HOLD-DOWN
PC	[1.07]	POWER
PF	[2.34]	POWER

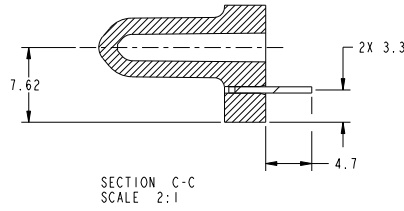
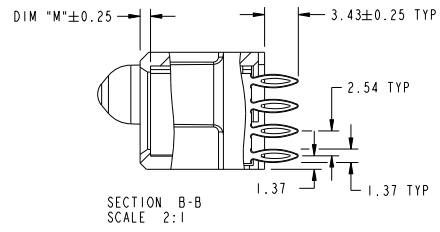
mat'l code				SEE NOTES		tolerances unless otherwise specified		CUSTOMER	
ltr	ecm no.	dr	date	linear	0.X ± 0.5	projection	www.fciconnect.com		
A	DG09-0058	WD	03/06/09	angles	0.XX ± 0.25	MM	9P		
				dr	0.XXX ± 0.1	scale	VERTICAL PRESS-FIT RECEPT		
				engr	0° ± 2°	1:1	product family PwrBlade code 213		
				chr	Warren Du 11/18/08		size dwg no 51940-273 sheet 1 of 4		
				oppd	Warren Du 11/18/08		cage code 22526		
					Gary Hsieh 11/18/08				
					Joseph Hsiao 11/18/08				
sheet index	revision sheet	A 1	A 2	A 3	A 4				

Tous droits strictement réservés. Reproduction ou communication à des tiers interdite sous quelque forme que ce soit sans autorisation écrite du propriétaire. Propriété de FCI. Droits de reproduction FCI.

All rights strictly reserved. Reproduction or issue to third parties in any form whatever is not permitted without written authority from the proprietor. Property of FCI. Copyright FCI.



PRODUCT NUMBER
51940-273...
NOTE: 3



mat'l code				tolerances unless otherwise specified		CUSTOMER		FCI	
ltr	ecm no.	dr	date	linear	0.X ±0.5	COPY	www.fciconnect.com		
A					0.XX ±0.25	projection	9P		
				angles	0.XXX ±0.1		VERTICAL PRESS-FIT RECEPT		
				dr	0° ±2°	MM	product family	PwrBlade	code
				enr	Warren Du 11/18/08	scale	size	dwg no	213
				chr	Warren Du 11/18/08	1:1	A	51940-273	sheet
				oppd	Gary Hsieh 11/18/08				2 of 4
					Joseph Hsia 11/18/08				
sheet index	revision sheet								

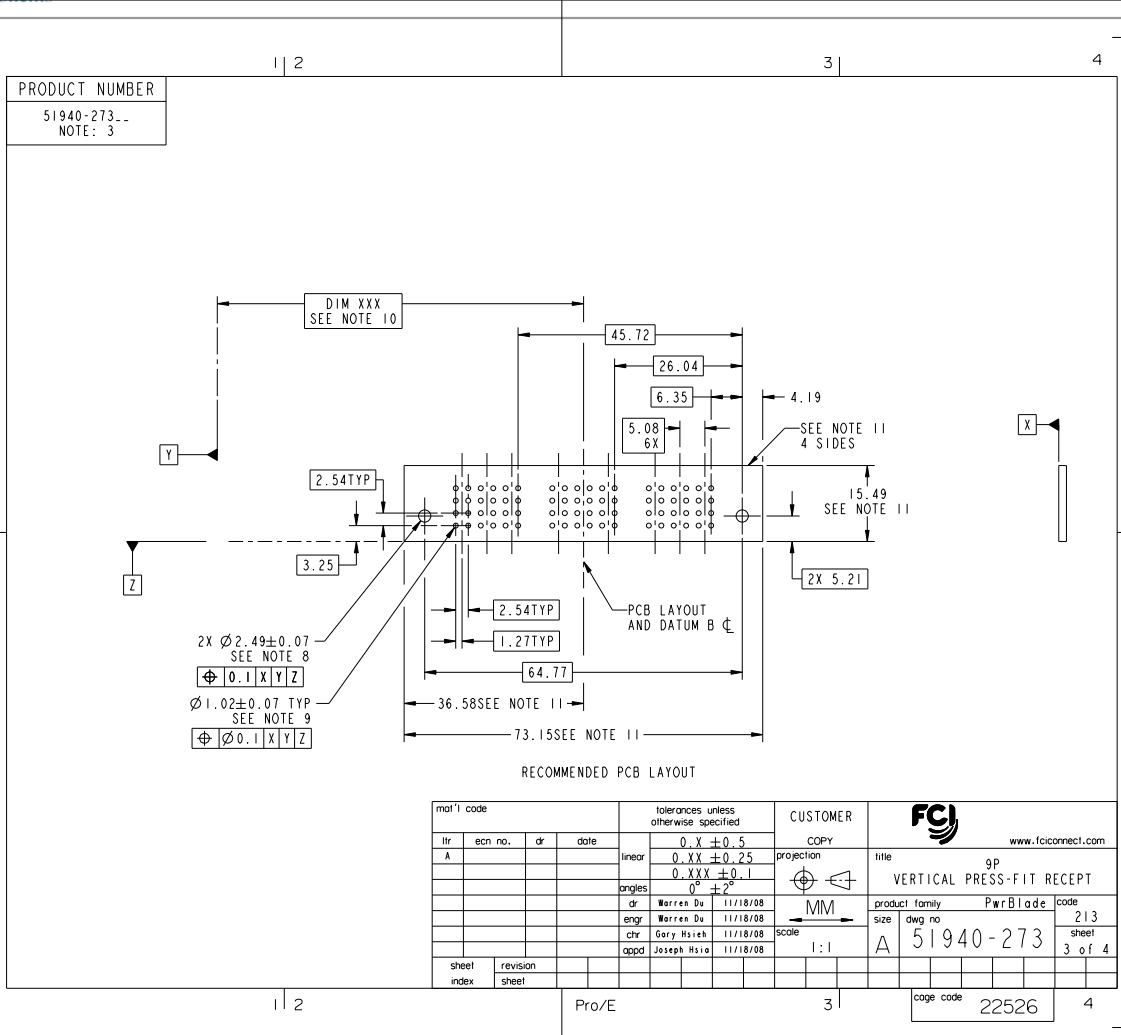
Pro/E

cage code 22526

Tous droits strictement réservés. Reproduction ou communication à des tiers interdite sans autorisation écrite du propriétaire. Propriété de FCI. Droits de reproduction FCI.



All rights strictly reserved. Reproduction or issue to third parties in any form whatever is not permitted without written authority from the proprietor. Property of FCI. Copyright FCI.



RECOMMENDED PCB LAYOUT

mat'l code				tolerances unless otherwise specified		CUSTOMER	
ltr	ecm no.	dr	date	linear	0.X ± 0.5	COPY	www.fciconnect.com
A				linear	0.XX ± 0.25	projection	9P
				angles	0.XXX ± 0.1		VERTICAL PRESS-FIT RECEPT
				dr	0° ± 2°	MM	product family PwrBlade code
				enr	Warren Du 11/18/08	scale	size 213
				chr	Warren Du 11/18/08	1:1	dwg no 51940-273
				oppd	Gary Hsieh 11/18/08		sheet 3 of 4
					Joseph Hsia 11/18/08		
sheet index	revision sheet						cage code 22526

Tous droits strictement réservés. Reproduction ou communication à des tiers interdite sous quelque forme que ce soit sans autorisation écrite du propriétaire. Propriété de FCI. Droits de reproduction FCI.

All rights strictly reserved. Reproduction or issue to third parties in any form whatever is not permitted without written authority from the proprietor. Property of FCI. Copyright FCI.

PRODUCT NUMBER
 51940-273...
 NOTE: 3

NOTES:

1. DIMENSIONS AND TOLERANCES ARE IN ACCORDANCE WITH ASME Y14.5M, 1994 UNLESS OTHERWISE SPECIFIED.
- CONNECTOR NOTES:
- ② HOUSING MATERIAL: UL 94 V-0 GLASS FILLED HIGH-TEMP THERMOPLASTIC
 POWER CONTACT MATERIAL: COPPER ALLOY
 SIGNAL PIN MATERIAL: COPPER ALLOY
3. SEE ITEM 7 & 8 IN PRINT 10064183 FOR PLATING SPEC OF 51940-273 AND 51940-273LF RESPECTIVELY.
- ④ MANUFACTURER'S NAME, P/N, AND DATE CODE TO APPEAR ON THIS SURFACE.
5. PRODUCT SPECIFICATION GS-12-149.
 APPLICATION SPECIFICATION BUS-20-067.
6. PACKAGED IN TRAYS.
- PCB NOTES:
7. ALL HOLE DIAMETERS ARE FINISHED HOLE SIZE.
- ⑧ MOUNTING HOLES, WHERE APPLICABLE, ARE UNPLATED.
- ⑨ $\varnothing 1.151 \pm 0.025$ DRILLED HOLES PLATED WITH
 0.008 MIN SnPb OR Sn OVER 0.03
 TO 0.08 Cu PLATING TO ACHIEVE
 $\varnothing 1.02 \pm 0.07$ HOLE.
- ⑩ "DIM XXX" TO BE DETERMINED BY THE CUSTOMER.
- ⑪ CONNECTOR KEEP-OUT ZONE.
12. THE VOID CORING IN BETWEEN POWER MODULES, SIGNAL MODULES AND END MODULES ARE OPTIONAL AND THE SHAPE MAY BE DIFFERENT FOR OPTIMIZE THE MOLDING PROCESS. THE VOID CORING WILL NOT EFFECT TO PRODUCT FUNCTION.

mat'l code				tolerances unless otherwise specified		CUSTOMER		FCI	
ltr	ecm no.	dr	date			COPY		www.fciconnect.com	
A				linear	0.X ± 0.5	projection		title 9P	
					0.XX ± 0.25			VERTICAL PRESS-FIT RECEIPT	
				angles	0.XXX ± 0.1				product family PwrBlade
				dr	0° ± 2°			size	sheet 4 of 4
				enr	Warren Du 11/18/08		scale 1:1	dwg no	51940-273
				chr	Warren Du 11/18/08				
				oppd	Gary Hsieh 11/18/08				
					Joseph Hsia 11/18/08				
sheet index	revision sheet							cage code	22526