

## Excellent Integrated System Limited

Stocking Distributor

Click to view price, real time Inventory, Delivery & Lifecycle Information:

[FCI](#)  
[51940-283LF](#)

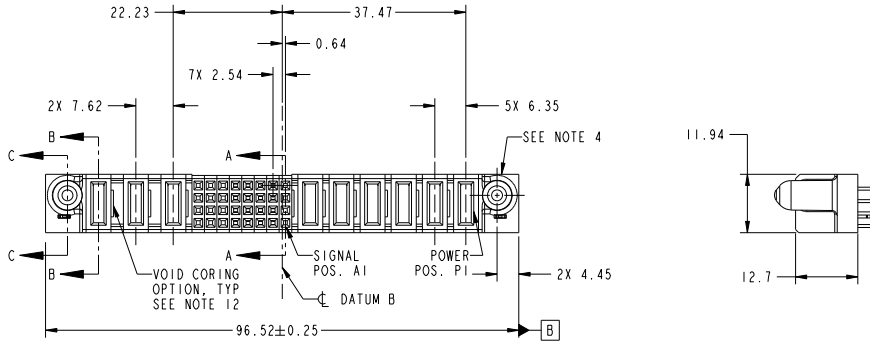
For any questions, you can email us directly:  
[sales@integrated-circuit.com](mailto:sales@integrated-circuit.com)

Tous droits strictement réservés. Reproduction ou communication à des tiers interdite sous quelque forme que ce soit sans autorisation écrite du propriétaire. Propriété de FCI. Droits de reproduction FCI.



All rights strictly reserved. Reproduction or issue to third parties in any form whatever is not permitted without written authority from the proprietor. Property of FCI. Copyright FCI.

PRODUCT NO.	ROWS	POWER				SIGNAL							POWER							
		E2	P9	P8	P7	8	7	6	5	4	3	2	1	P6	P5	P4	P3	P2	P1	E1
51940-283..	D C B A	HA	PD	PD	PA	XXXXXX	XXXXXX	XXXXXX	XXXXXX	XXXXXX	XXXXXX	XXXXXX	XXXXXX	PD	PD	PD	PD	PD	PD	HA
NOTE: 3																				



CODE	DIM "M" MATING LENGTH	CONTACT TYPE
E	[N/A]	SIGNAL
PD	[2.34]	POWER
HA	[N/A]	HOLD-DOWN
PA	[1.07]	POWER
X	OMITTED	OMITTED

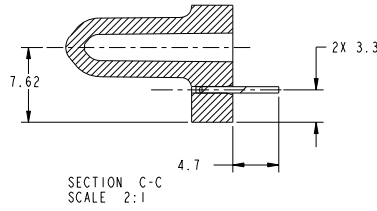
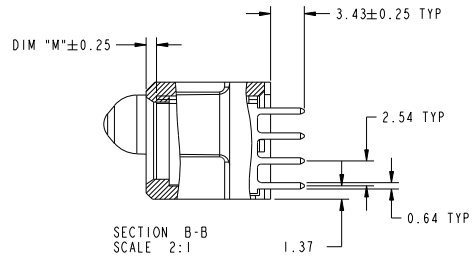
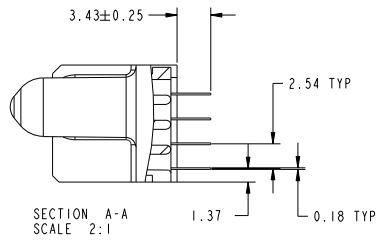
SEE NOTES				tolerances unless otherwise specified		CUSTOMER	
ltr	ecm no.	dr	date	0.X ±0.5	projection	www.fciconnect.com	
A	DG09-0093	JW	03/06/09	0.XX ±0.25	MM	6P + 32S + 3ACP	
				0.XXX ±0.1	MM	VERTICAL SOLDER RECEPT	
				0° ±2°	MM	product family PwrBlade code	
					MM	size dwg no 51940-283 213	
					MM	scale 1:1 sheet 1 of 4	
sheet index	revision sheet	A 1	A 2	A 3	A 4	cage code 22526 4	

Tous droits strictement réservés. Reproduction ou communication à des tiers interdite sous quelque forme que ce soit sans autorisation écrite du propriétaire. Propriété de FCI. Droits de reproduction FCI.

All rights strictly reserved. Reproduction or issue to third parties in any form whatever is not permitted without written authority from the proprietor. Property of FCI. Copyright FCI.



PRODUCT NUMBER  
51940-283...  
NOTE: 3



mat'l code				tolerances unless otherwise specified		CUSTOMER		FCI	
ltr	ecm no.	dr	date	linear	0.X ± 0.5	COPY	www.fciconnect.com		
A					0.XX ± 0.25	projection		title	
					0.XXX ± 0.1			6P + 32S + 3ACP	
				angles	0° ± 2°			VERTICAL SOLDER RECEPT	
				dr	JULIA WANG 03/06/09	scale		product family	PwrBlade
				enr	JEROME CHEN 03/06/09	1:1		size	
				chr	PM ZHENG 03/06/09			dwg no	51940-283
				oppd	JOSEPH HSIA 03/06/09			code	213
sheet index	revision sheet							sheet	2 of 4

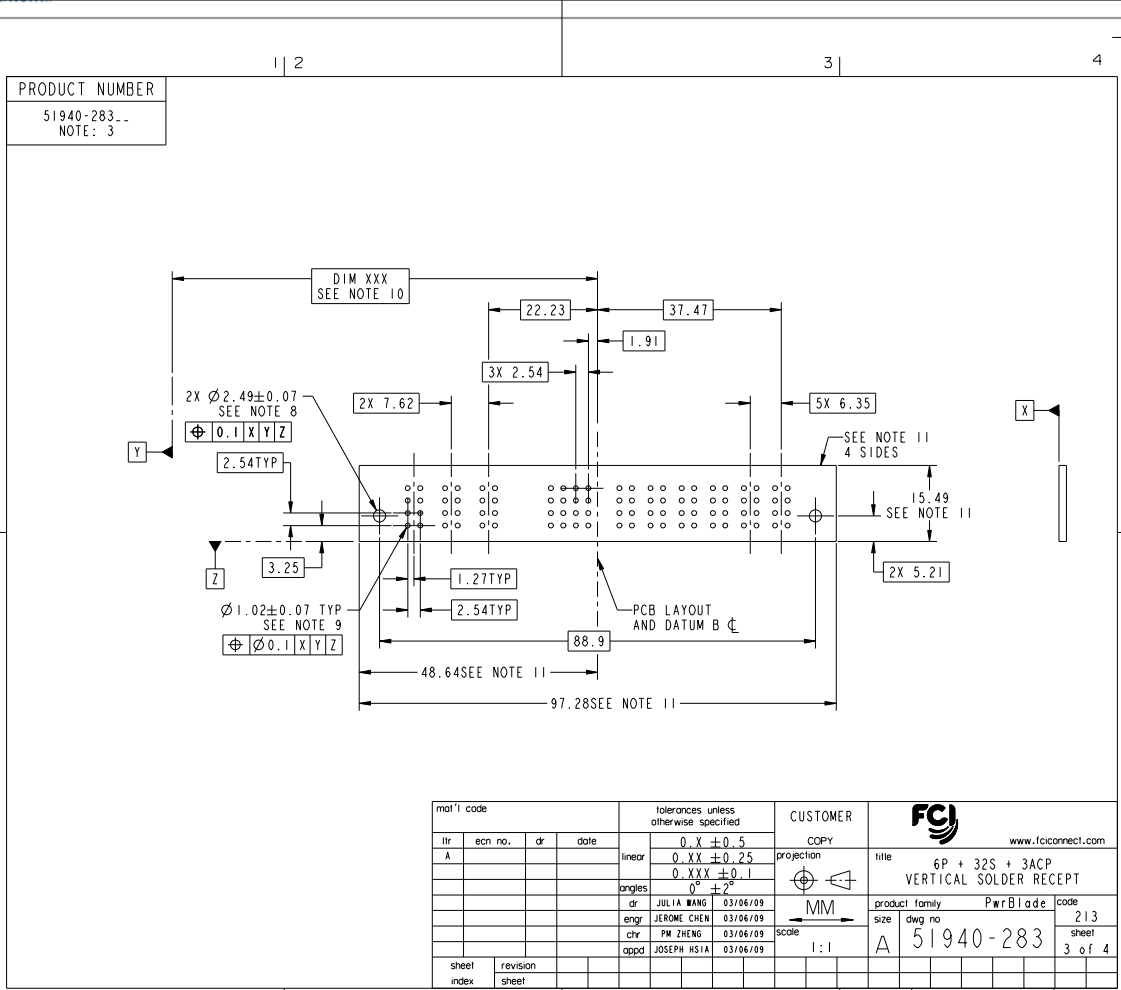
Pro/E

cage code 22526

Tous droits strictement réservés. Reproduction ou communication à des tiers interdite sous quelque forme que ce soit sans autorisation écrite du propriétaire. Propriété de FCI. Droits de reproduction FCI.



All rights strictly reserved. Reproduction or issue to third parties in any form whatever is not permitted without written authority from the proprietor. Property of FCI. Copyright FCI.



mat'l code				tolerances unless otherwise specified		CUSTOMER		FCI		www.fciconnect.com	
ltr	ecm no.	dr	date	linear	0.X ± 0.5	COPY	projection	title	6P + 32S + 3ACP		
A					0.XX ± 0.25		MM	VERTICAL SOLDER RECEPT			
				angles	0° ± 2°			product family	PwrBlade	code	
				dr	JULIA WANG 03/06/09			size	dwg no	213	sheet
				engr	JEROME CHEN 03/06/09			A	51940-283	3	of 4
				chr	PM ZHENG 03/06/09	scale	1:1				
				oppd	JOSEPH HSIA 03/06/09						
sheet index	revision sheet										
				Pro/E				cage code	22526		

Tous droits strictement réservés. Reproduction ou communication à des tiers interdite sous quelque forme que ce soit sans autorisation écrite du propriétaire. Propriété de FCI. Droits de reproduction FCI.

All rights strictly reserved. Reproduction or issue to third parties in any form whatever is not permitted without written authority from the proprietor. Property of FCI. Copyright FCI.

**PRODUCT NUMBER**  
51940-283...  
NOTE: 3

**NOTES:**

1. DIMENSIONS AND TOLERANCES ARE IN ACCORDANCE WITH ASME Y14.5M, 1994 UNLESS OTHERWISE SPECIFIED.
- CONNECTOR NOTES:
- ② HOUSING MATERIAL: UL 94 V-0 GLASS FILLED HIGH-TEMP THERMOPLASTIC  
POWER CONTACT MATERIAL: COPPER ALLOY  
SIGNAL PIN MATERIAL: COPPER ALLOY
3. PLATING SPEC.  
SEE ITEM 5 & 6 IN PRINT 10064183 FOR PLATING SPEC OF 51940-283, 51940-283LF RESPECTIVELY.
- ④ MANUFACTURER'S NAME, P/N, AND DATE CODE TO APPEAR ON THIS SURFACE.
5. PRODUCT SPECIFICATION GS-12-149.  
APPLICATION SPECIFICATION BUS-20-067.
6. PACKAGED IN TRAYS.
- PCB NOTES:
7. ALL HOLE DIAMETERS ARE FINISHED HOLE SIZE.
- ⑧ MOUNTING HOLES, WHERE APPLICABLE, ARE UNPLATED.
- ⑨  $\varnothing 1.151 \pm 0.025$  DRILLED HOLES PLATED WITH 0.008 MIN SnPb OR Sn OVER 0.03 TO 0.08 Cu PLATING TO ACHIEVE  $\varnothing 1.02 \pm 0.07$  HOLE.
- ⑩ "DIM XXX" TO BE DETERMINED BY THE CUSTOMER.
- ⑪ CONNECTOR KEEP-OUT ZONE.
12. THE VOID CORING IN BETWEEN POWER MODULES, SIGNAL MODULES AND END MODULES ARE OPTIONAL AND THE SHAPE MAY BE DIFFERENT FOR OPTIMIZE THE MOLDING PROCESS. THE VOID CORING WILL NOT EFFECT TO PRODUCT FUNCTION.

mat'l code				tolerances unless otherwise specified		CUSTOMER		FCI	
ltr	ecm no.	dr	date	linear	0.X ± 0.5	COPY		www.fciconnect.com	
A				linear	0.XX ± 0.25	projection	title		
				angles	0.XXX ± 0.1		6P + 32S + 3ACP		
				dr	0° ± 2°		VERTICAL SOLDER RECEPT		
				engr	JULIA WANG 03/06/09	scale	product family	PwrBlade	code
				chr	JEROME CHEN 03/06/09	1:1	size	dwg no	213
				oppd	PM ZHENG 03/06/09		A	51940-283	sheet
sheet index	revision sheet								4 of 4
								cage code	22526