

Excellent Integrated System Limited

Stocking Distributor

Click to view price, real time Inventory, Delivery & Lifecycle Information:

[FCI](#)

[51940-313LF](#)

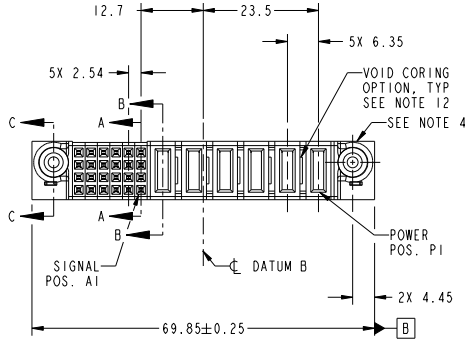
For any questions, you can email us directly:

sales@integrated-circuit.com

Tous droits strictement réservés. Reproduction ou communication à des tiers interdite sous quelque forme que ce soit sans autorisation écrite du propriétaire. Propriété de C.FCI. Droits de reproduction FCI.

All rights strictly reserved. Reproduction or issue to third parties in any form whatever is not permitted without written authority from the proprietor. Property of FCI. Copyright FCI.

PRODUCT NO.	ROWS	SIGNAL					POWER					
		E2	4	3	2	1	P6	P5	P4	P3	P2	P1
51940-313..	0	HA	PC	PF	PF	PC	PC	PF	PF	PC	PC	HA
NOTE: 3												



CODE	DIM "M" MATING LENGTH	CONTACT TYPE
PF	[2.34]	POWER
F	[N/A]	SIGNAL
HA	[N/A]	HOLD-DOWN
PC	[1.07]	POWER

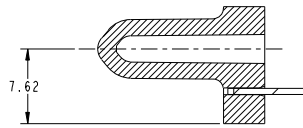
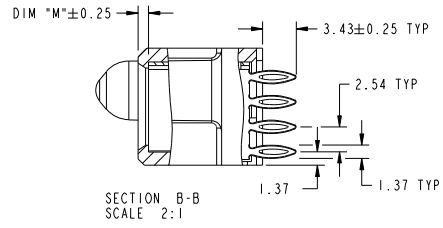
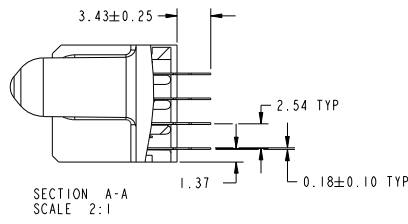
mat'l code		SEE NOTES		tolerances unless otherwise specified		CUSTOMER	
lfr	ecm no.	dr	date			COPY	www.fciconnect.com
A	DG09-0291	WD	09/03/09	linear	0.X ±0.5	projection	title
					0.XX ±0.25		6P + 24S
				angles	0.XXX ±0.1		VERTICAL PRESS-FIT RECEIPT
				dr	0° ±2°		product family
				enrg	Warren Du 08/24/09	MM	PwrBlade
				chr	Warren Du 08/24/09	scale	size
				oppd	PM ZHENG 08/24/09	1:1	dwg no
					Joseph Hsiao 08/24/09		51940-313
sheet index	revision sheet	A	A	A	A		code
		1	2	3	4		213
							sheet
							1 of 4
							code
							22526

Tous droits strictement réservés. Reproduction ou communication à des tiers interdite sous quelque forme que ce soit sans autorisation écrite du propriétaire. Propriété de FCI. Droits de reproduction FCI.

All rights strictly reserved. Reproduction or issue to third parties in any form whatever is not permitted without written authority from the proprietor. Property of FCI. Copyright FCI.



PRODUCT NUMBER
51940-313...
NOTE: 3



mat'l code				tolerances unless otherwise specified		CUSTOMER		FCI	
ltr	ecm no.	dr	date	linear	0.X ±0.5	COPY	www.fciconnect.com		
A					0.XX ±0.25	projection	6P + 24S		
				angles	0.XXX ±0.1		VERTICAL PRESS-FIT RECEIPT		
				dr	0° ±2°	MM	product family	PwrBlade	code
				enr	Warren Du 08/24/09	scale	size	dwg no	213
				chr	Warren Du 08/24/09	1:1	A	51940-313	sheet
				oppd	PM ZHENG 08/24/09				2 of 4
					Joseph Hsiao 08/24/09				
sheet index	revision sheet								

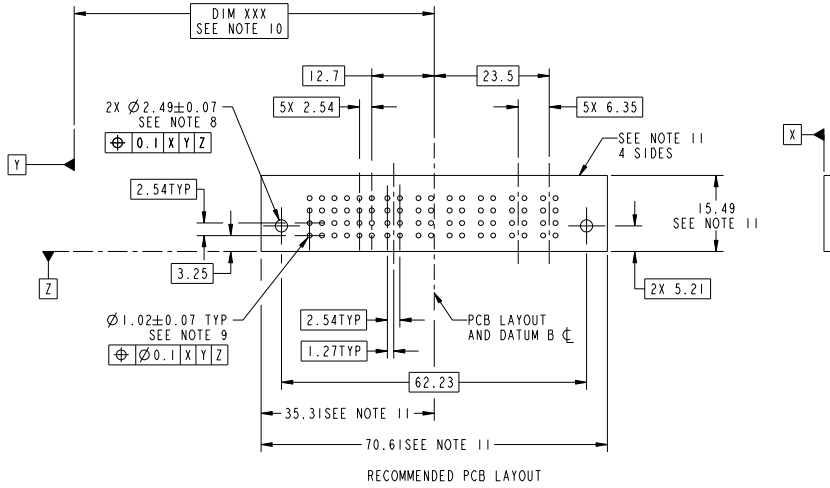
Pro/E

cage code 22526

Tous droits strictement réservés. Reproduction ou communication a des tiers interdite sous quelque forme que ce soit sans autorisation écrite du propriétaire. Property of FCI. Droits de reproduction FCI.

All rights strictly reserved. Reproduction or issue to third parties in any form whatever is not permitted without written authority from the proprietor. Property of FCI. Copyright FCI.

PRODUCT NUMBER
51940-313...
NOTE: 3



mat'l code				tolerances unless otherwise specified		CUSTOMER	
ltr	ecm no.	dr	date	linear	0.X ± 0.5	COPY	www.fciconnect.com
A					0.XX ± 0.25	projection	6P + 24S
				angles	0.XXX ± 0.1		VERTICAL PRESS-FIT RECEPT
					0° ± 2°	MM	product family PwrBlade code
		dr	Warren Du	engr	Warren Du	scale	size
		chr	08/24/09	chr	08/24/09	1:1	dwg no
		oppd	08/24/09	oppd	08/24/09		51940-313
sheet index	revision sheet						213 sheet 3 of 4

Pro/E

cage code 22526

Tous droits strictement réservés. Reproduction ou communication à des tiers interdite sous quelque forme que ce soit sans autorisation écrite du propriétaire. Propriété de FCI. Droits de reproduction FCI.

All rights strictly reserved. Reproduction or issue to third parties in any form whatever is not permitted without written authority from the proprietor. Property of FCI. Copyright FCI.

PRODUCT NUMBER
51940-313..
NOTE: 3

NOTES:

1. DIMENSIONS AND TOLERANCES ARE IN ACCORDANCE WITH ASME Y14.5M, 1994 UNLESS OTHERWISE SPECIFIED.

CONNECTOR NOTES:

- ② HOUSING MATERIAL: UL 94 V-0 GLASS FILLED HIGH-TEMP THERMOPLASTIC
 POWER CONTACT MATERIAL: COPPER ALLOY
 SIGNAL PIN MATERIAL: COPPER ALLOY
- 3. SEE ITEM 7 & 8 IN PRINT 10064183 FOR PLATING SPEC OF 51940-313 AND 51940-313LF RESPECTIVELY.
- ④ MANUFACTURER'S NAME, P/N, AND DATE CODE TO APPEAR ON THIS SURFACE.

5. PRODUCT SPECIFICATION GS-12-149.
 APPLICATION SPECIFICATION BUS-20-067.

6. PACKAGED IN TRAYS.

PCB NOTES:

- 7. ALL HOLE DIAMETERS ARE FINISHED HOLE SIZE.
- ⑧ MOUNTING HOLES, WHERE APPLICABLE, ARE UNPLATED.

⑨ $\varnothing 1.151 \pm 0.025$ DRILLED HOLES PLATED WITH
 0.008 MIN SnPb OR Sn OVER 0.03
 TO 0.08 Cu PLATING TO ACHIEVE
 $\varnothing 1.02 \pm 0.07$ HOLE.

⑩ "DIM XXX" TO BE DETERMINED BY THE CUSTOMER.

⑪ CONNECTOR KEEP-OUT ZONE.

12. THE VOID CORING IN BETWEEN POWER MODULES, SIGNAL MODULES AND END MODULES ARE OPTIONAL AND THE SHAPE MAY BE DIFFERENT FOR OPTIMIZE THE MOLDING PROCESS. THE VOID CORING WILL NOT EFFECT TO PRODUCT FUNCTION.

mat'l code				tolerances unless otherwise specified		CUSTOMER		FCI	
ltr	ecn no.	dr	date	linear	0.X ± 0.5	COPY		www.fciconnect.com	
A					0.XX ± 0.25	projection	title		
				angles	0° ± 2°		6P + 24S		
				dr	Warren Du 08/24/09	MM	product family	PwrBlade	code
				engr	Warren Du 08/24/09	scale	size	dwg no	213
				chr	PM ZHENG 08/24/09	1:1	A	51940-313	sheet
				oppd	Joseph Hsiao 08/24/09				4 of 4
sheet index	revision sheet								

Pro/E 3 cage code 22526 4