

## Excellent Integrated System Limited

Stocking Distributor

Click to view price, real time Inventory, Delivery & Lifecycle Information:

[FCI](#)  
[51940-327LF](#)

For any questions, you can email us directly:  
[sales@integrated-circuit.com](mailto:sales@integrated-circuit.com)

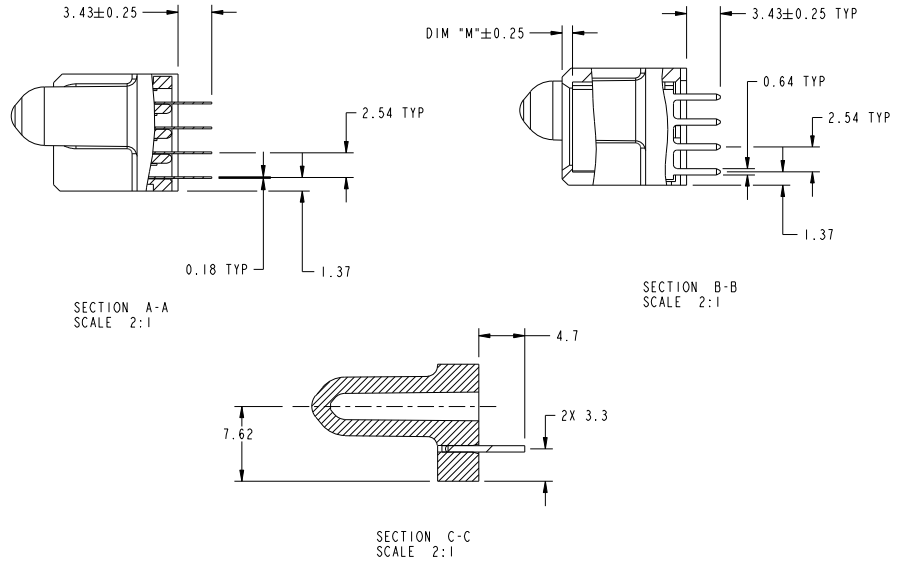


Tous droits strictement réservés. Reproduction ou communication à des tiers interdite sous quelque forme que ce soit sans autorisation écrite du propriétaire. Propriété de FCI. Droits de reproduction FCI.



All rights strictly reserved. Reproduction or issue to third parties in any form whatever is not permitted without written authority from the proprietor. Property of FCI. Copyright FCI.

PRODUCT NUMBER  
51940-327...  
NOTE: 3



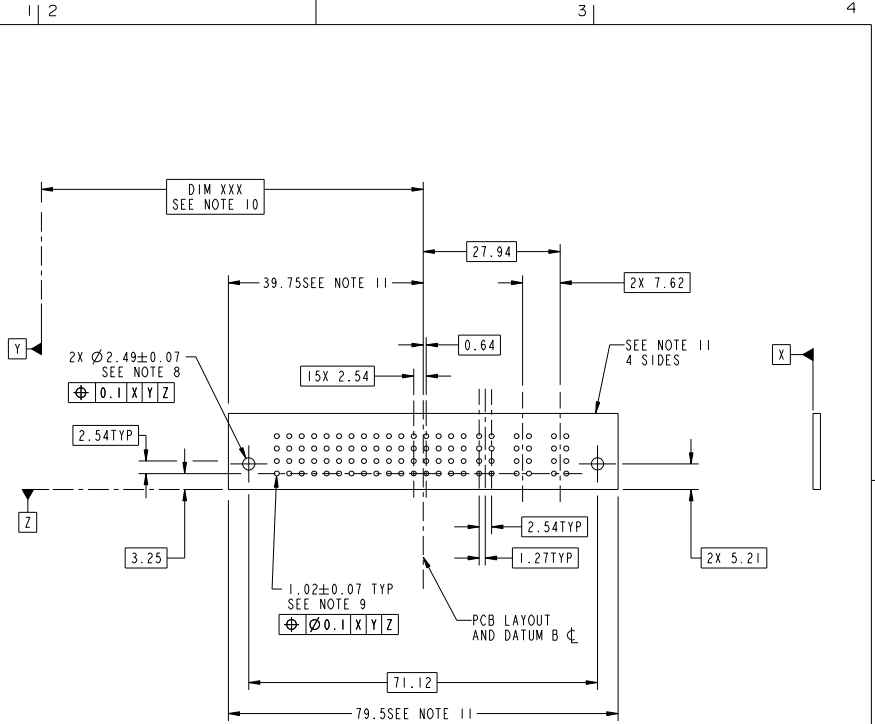
mat'l code				tolerances unless otherwise specified		CUSTOMER	
lfr	ecm no.	dr	date	0.X ±0.5	COPY	FCI www.fciconnect.com	
A	--	--	--	0.XX ±0.25	projection	title 3ACP + 64S VERTICAL STB RECEP	
				0.XXX ±0.1		product family PwrBlade code 213	
				angles 0° ±2°	MM	size dwg no 51940-327 sheet 2 of 4	
		dr	Arson Liu 01/20/2010		scale 1:1	cage code 22526	
		enr	Warren Du 01/20/2010				
		chr	PM Zheeng 01/20/2010				
		oppd	Joseph Hsiao 01/20/2010				
sheet index	revision sheet						

Tous droits strictement réservés. Reproduction ou communication à des tiers interdite sous quelque forme que ce soit sans autorisation écrite du propriétaire. Propriété de FCI. Droits de reproduction FCI.

All rights strictly reserved. Reproduction or issue to third parties in any form whatever is not permitted without written authority from the proprietor. Property of FCI. Copyright FCI.



PRODUCT NUMBER  
51940-327..  
NOTE: 3



mat'l code				tolerances unless otherwise specified		CUSTOMER	
ltr	ecm no.	dr	date	0.X ±0.5	COPY	www.fciconnect.com	
A	-	-	-	0.XX ±0.25	projection	title	
				0.XXX ±0.1		3ACP + 64S	
				angles	MM	VERTICAL STB RECEIPT	
				dr	Asson Liu	01/20/2010	product family
				enr	Warren Du	01/20/2010	PwrBlade
				chr	PM Zheeng	01/20/2010	code
				opd	Joseph Hsiao	01/20/2010	213
sheet index	revision sheet						3 of 4
							3
							4
							22526

Tous droits strictement réservés. Reproduction ou communication à des tiers interdite sous quelque forme que ce soit sans autorisation écrite du propriétaire. Propriété de FCI. Droits de reproduction FCI.

All rights strictly reserved. Reproduction or issue to third parties in any form whatever is not permitted without written authority from the proprietor. Property of FCI. Copyright FCI.

**PRODUCT NUMBER**  
 51940-327-  
 NOTE: 3

**NOTES:**

1. DIMENSIONS AND TOLERANCES ARE IN ACCORDANCE WITH ASME Y14.5M, 1994 UNLESS OTHERWISE SPECIFIED.
- CONNECTOR NOTES:
- ② HOUSING MATERIAL: UL 94 V-0 GLASS FILLED HIGH-TEMP THERMOPLASTIC  
 POWER CONTACT MATERIAL: COPPER ALLOY  
 SIGNAL PIN MATERIAL: COPPER ALLOY
3. PLATING SPEC.  
 SEE ITEM 5&6 IN PRINT 10064183 FOR PLATING SPEC OF 51752-032 ,51752-032LF RESPECTIVELY
- ④ MANUFACTURER'S NAME, DATE CODE AND OPTIONAL P/N TO APPEAR ON THIS SURFACE. THE P/N CAN BE OMITTED IF THERE IS NOT ENOUGH SPACE ON THIS SURFACE.
5. PRODUCT SPECIFICATION GS-12-149.  
 APPLICATION SPECIFICATION BUS-20-067.
6. PACKAGED IN TRAYS.
- PCB NOTES:
7. ALL HOLE DIAMETERS ARE FINISHED HOLE SIZE.
- ⑧ MOUNTING HOLES, WHERE APPLICABLE, ARE UNPLATED.
- ⑨  $\varnothing 1.151 \pm 0.025$  DRILLED HOLES PLATED WITH 0.008 MIN SnPb OR Sn OVER 0.03 TO 0.08 Cu PLATING TO ACHIEVE  $\varnothing 1.02 \pm 0.07$  HOLE.
- ⑩ "DIM XXX" TO BE DETERMINED BY THE CUSTOMER.
- ⑪ CONNECTOR KEEP-OUT ZONE.
12. THE VOID CORING IN BETWEEN POWER MODULES, SIGNAL MODULES AND END MODULES ARE OPTIONAL AND THE SHAPE MAY BE DIFFERENT FOR OPTIMIZE THE MOLDING PROCESS. THE VOID CORING WILL NOT EFFECT TO PRODUCT FUNCTION.

mat'l code				tolerances unless otherwise specified		CUSTOMER	
ltr	ecm no.	dr	date	0.X ± 0.5	COPY	FCI www.fciconnect.com	
A	- - -	-	- - -	linear 0.XX ± 0.25	projection	title 3ACP + 64S VERTICAL STB RECEP	
				angles 0° ± 2°		product family PwrBlade code 213	
		dr	Asson Liu 01/20/2010	MM	MM	size	dwg no 51940-327
		engr	Warren Du 01/20/2010	scale	1:1	sheet	4 of 4
		chr	PM Zheeng 01/20/2010				
		appd	Joseph Hsiao 01/20/2010				
sheet index	revision sheet						

Pro/E

cage code 22526