

Excellent Integrated System Limited

Stocking Distributor

Click to view price, real time Inventory, Delivery & Lifecycle Information:

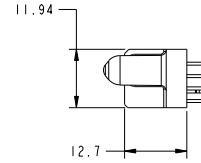
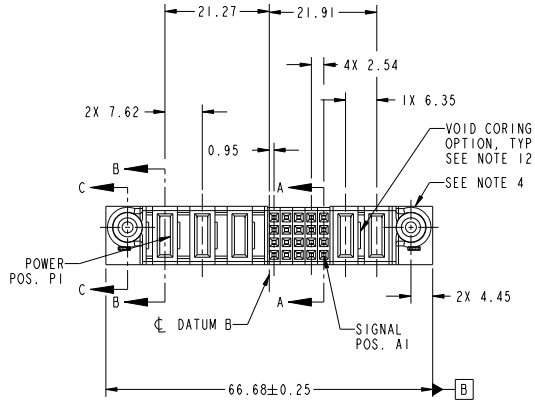
[FCI](#)
[51940-361LF](#)

For any questions, you can email us directly:
sales@integrated-circuit.com

Tous droits strictement réservés. Reproduction ou communication à des tiers interdite sous quelque forme que ce soit sans autorisation écrite du propriétaire. Propriété de FCI. Droits de reproduction FCI.

All rights strictly reserved. Reproduction or issue to third parties in any form whatever is not permitted without written authority from the proprietor. Property of FCI. Copyright FCI.

PRODUCT NO.	ROWS	POWER			SIGNAL	POWER					
		E2	P5	P4	P3	S4	S3	S2	P2	P1	E1
51940-361... NOTE: 3	PA PD HA										



CODE	DIM "M" MATING LENGTH	CONTACT TYPE
E	[N/A]	SIGNAL
PD	[2.34]	POWER
HA	[N/A]	HOLD-DOWN
PA	[1.07]	POWER

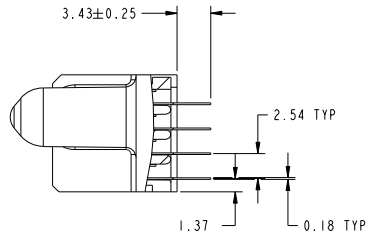
mat'l code		SEE NOTES		tolerances unless otherwise specified		CUSTOMER		FCI www.fciconnect.com	
ltr	ecm no.	dr	date	linear	0.X ± 0.5	COPY	projection	title	2P + 20S + 3P
A	DG10-0233	SM	06/21/10	angles	0.XX ± 0.25	MM	MM	VERTICAL SOLDER RECEPT	
				dr	0.XXX ± 0.1	scale	1:1	product family	PwrBlade
				enr	0° ± 2°			size	dwg no
				chr	Shower Mo 06/21/10			A	51940-361
				oppd	Shower Mo 06/21/10			code	213
sheet index	revision sheet	A 1	A 2	A 3	A 4			code	1 of 4
								22526	

Tous droits strictement réservés. Reproduction ou communication à des tiers interdite sous quelque forme que ce soit sans autorisation écrite du propriétaire. Propriété de FCI. Droits de reproduction FCI.

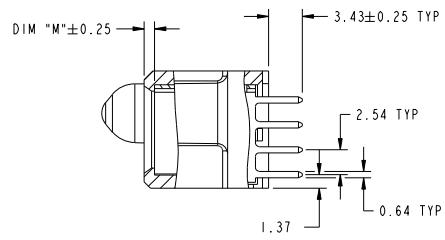
All rights strictly reserved. Reproduction or issue to third parties in any form whatever is not permitted without written authority from the proprietor. Property of FCI. Copyright FCI.



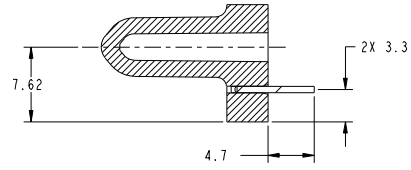
PRODUCT NUMBER
51940-361...
NOTE: 3



SECTION A-A
SCALE 2:1



SECTION B-B
SCALE 2:1



SECTION C-C
SCALE 2:1

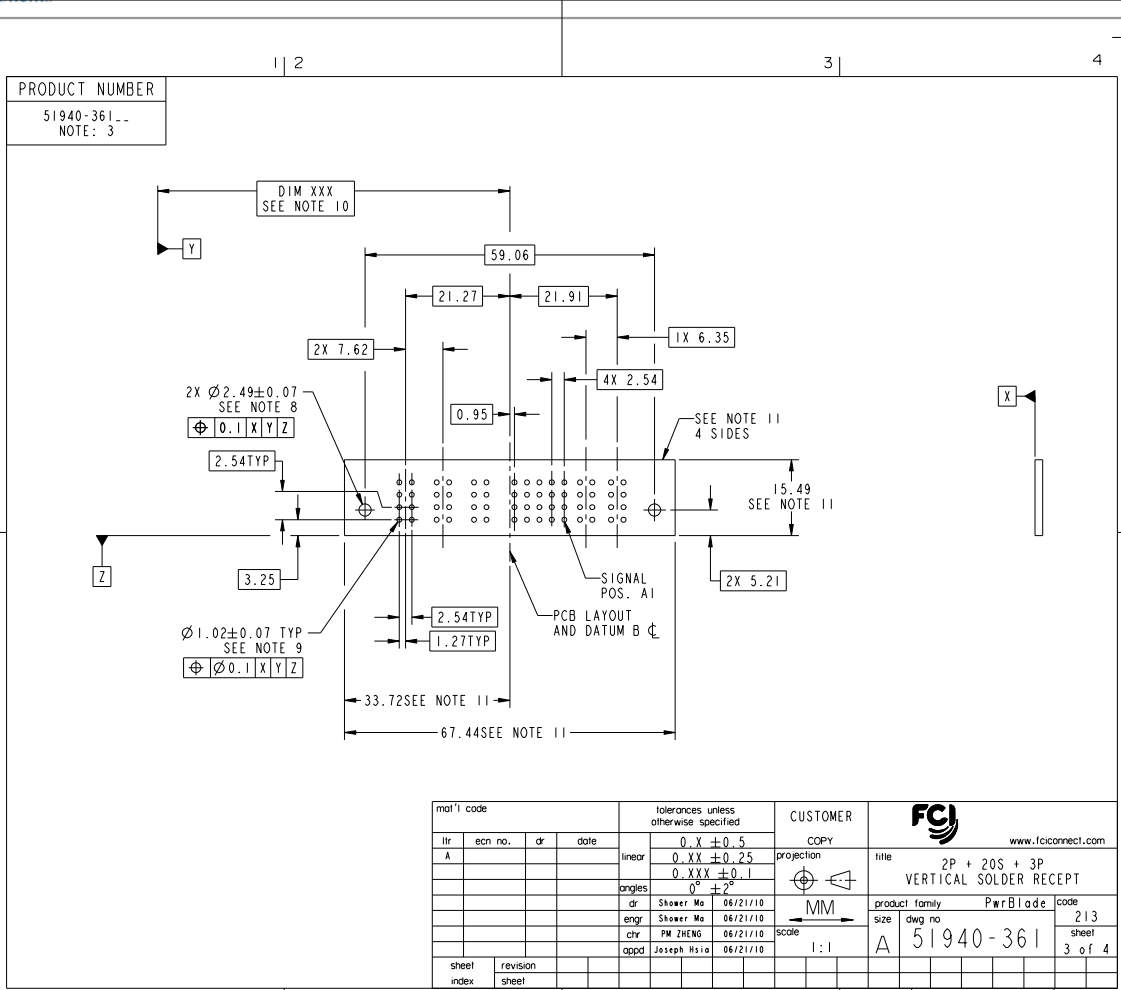
mat'l code				tolerances unless otherwise specified		CUSTOMER	
ltr	ecm no.	dr	date	0.X ±0.5	projection	www.fciconnect.com	
A				0.XX ±0.25	MM	2P + 20S + 3P	
				0.XXX ±0.1	scale	VERTICAL SOLDER RECEPT	
				0° ±2°	1:1	product family PwrBlade code	
		dr	Shower Mo	06/21/10		size	213
		engr	Shower Mo	06/21/10		dwg no	sheet
		chr	PM ZHENG	06/21/10		51940-361	2 of 4
		appd	Joseph Hsiao	06/21/10			
sheet index	revision sheet						

Pro/E

cage code 22526

Tous droits strictement réservés. Reproduction ou communication à des tiers interdite sous quelque forme que ce soit sans autorisation écrite du propriétaire. Propriété de FCI. Droits de reproduction FCI.

All rights strictly reserved. Reproduction or issue to third parties in any form whatever is not permitted without written authority from the proprietor. Property of FCI. Copyright FCI.



mat'l code				tolerances unless otherwise specified		CUSTOMER		FCI		www.fciconnect.com	
ltr	ecm no.	dr	date	linear	0.X ± 0.5	COPY	projection	title			
A					0.XX ± 0.25			2P + 20S + 3P			
				angles	0° ± 2°			VERTICAL SOLDER RECEPT			
				dr	Shower Mo 06/21/10			product family		PwrBlade	
				engr	Shower Mo 06/21/10		MM	size	dwg no	code	
				chr	PM ZHENG 06/21/10		1:1	A	51940-361	213	
				oppd	Joseph Hsiao 06/21/10					sheet	
sheet index	revision	sheet								3 of 4	
										cage code	
										22526	

Pro/E

Tous droits strictement réservés. Reproduction ou communication à des tiers interdite sous quelque forme que ce soit sans autorisation écrite du propriétaire. Propriété de FCI. Droits de reproduction FCI.

All rights strictly reserved. Reproduction or issue to third parties in any form whatever is not permitted without written authority from the proprietor. Property of FCI. Copyright FCI.

PRODUCT NUMBER
51940-361...
NOTE: 3

NOTES:

1. DIMENSIONS AND TOLERANCES ARE IN ACCORDANCE WITH ASME Y14.5M, 1994 UNLESS OTHERWISE SPECIFIED.

CONNECTOR NOTES:

- ② HOUSING MATERIAL: UL 94 V-0 GLASS FILLED HIGH-TEMP THERMOPLASTIC
POWER CONTACT MATERIAL: COPPER ALLOY
SIGNAL PIN MATERIAL: COPPER ALLOY
- 3. SEE ITEM 5 & 6 IN PRINT 10064183 FOR PLATING SPEC OF 51940-361 AND 51940-361LF RESPECTIVELY.

④ MANUFACTURER'S NAME, DATE CODE AND OPTIONAL P/N TO APPEAR ON THIS SURFACE. THE P/N CAN BE OMITTED IF THERE IS NOT ENOUGH SPACE ON THIS SURFACE.

5. PRODUCT SPECIFICATION GS-12-149.
APPLICATION SPECIFICATION BUS-20-067.

6. PACKAGED IN TRAYS.

PCB NOTES:

- 7. ALL HOLE DIAMETERS ARE FINISHED HOLE SIZE.
- ⑧ MOUNTING HOLES, WHERE APPLICABLE, ARE UNPLATED.
- ⑨ $\varnothing 1.151 \pm 0.025$ DRILLED HOLES PLATED WITH 0.008 MIN SnPb OR Sn OVER 0.03 TO 0.08 Cu PLATING TO ACHIEVE $\varnothing 1.02 \pm 0.07$ HOLE.
- ⑩ "DIM XXX" TO BE DETERMINED BY THE CUSTOMER.
- ⑪ CONNECTOR KEEP-OUT ZONE.
- 12. THE VOID CORING IN BETWEEN POWER MODULES, SIGNAL MODULES AND END MODULES ARE OPTIONAL AND THE SHAPE MAY BE DIFFERENT FOR OPTIMIZE THE MOLDING PROCESS. THE VOID CORING WILL NOT EFFECT TO PRODUCT FUNCTION.

mat'l code				tolerances unless otherwise specified		CUSTOMER		FCI	
ltr	ecm no.	dr	date	linear	0.X ± 0.5	COPY		www.fciconnect.com	
A					0.XX ± 0.25	projection	title		
				angles	0.XXX ± 0.1		2P + 20S + 3P		
				dr	0° ± 2°		VERTICAL SOLDER RECEPT		
				Shower Mo	06/21/10	MM	product family	PwrBlade	code
				engr	06/21/10	size	dwg no	51940-361	213
				chr	06/21/10	scale	A		sheet
				oppd	06/21/10	1:1			4 of 4
sheet index	revision sheet								

Pro/E

cage code 22526