

## Excellent Integrated System Limited

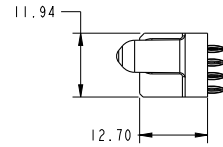
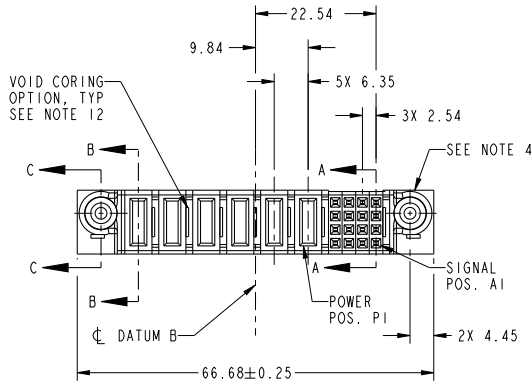
Stocking Distributor

Click to view price, real time Inventory, Delivery & Lifecycle Information:

[FCI](#)  
[51940-411LF](#)

For any questions, you can email us directly:  
[sales@integrated-circuit.com](mailto:sales@integrated-circuit.com)

PRODUCT NO.	ROWS	POWER						SIGNAL					
		E2	P6	P5	P4	P3	P2	P1	4	3	2	1	E1
51940-411LF NOTE: 3	D C B A		PF	X	PF	X	PC	X	FFFF	FFFF	FFFF	FFFF	



CODE	DIM. "M" MATING LENGTH	CONTACT TYPE
PF	[2.34]	POWER
F	[N/A]	SIGNAL
PC	[1.07]	POWER
X	OMITTED	OMITTED

spec ref	*	dr	X Q Wang	2011/12/01	projection	MM	size	A4	scale	1:1
tolerance std	SEE NOTE	eng	X Q Wang	2011/12/06		product family	PwrBlade	ecn no	rel level	Released
TOLERANCES UNLESS OTHERWISE SPECIFIED		chr	-	-						
surface	linear	appr	Pei-Ming Zheng	2011/12/07	16 S + 6 P		cat. no.	51940-411	rev	A
	angular	www.fci.com			VERTICAL PRESS-FIT RECEPT					
Product - Customer Drw							sheet 1 of 4			

Print File - REC - 2009-08-09

1

2

3

PDS: Rev :A

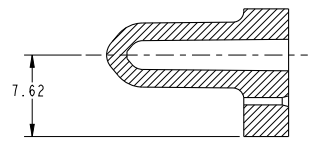
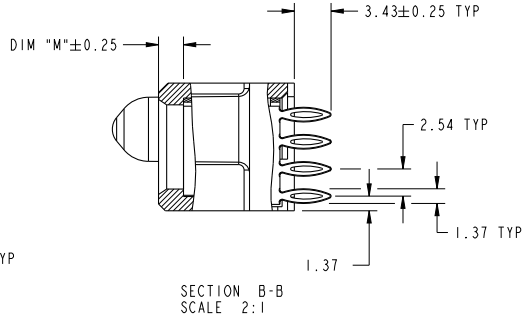
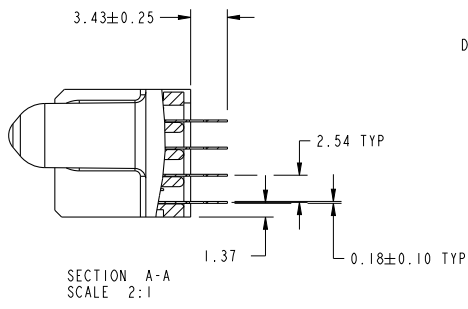
STATUS:Released

Printed: Dec 07, 2011



Copyright FCI.

PRODUCT NUMBER  
51940-411...  
NOTE: 3



Copyright FCI.

spec ref	*	dr	X Q Wang	2011/1201	projection	MM	size	A4	scale	1:1
tolerance std	SEE NOTE	eng	X Q Wang	2011/1206			ecn no	-	rel level	Released
TOLERANCES UNLESS OTHERWISE SPECIFIED		chr	-	-						
surface	✓	appr	Pei-Ming Zheng	2011/1207	product family	PwrBlade	rev	A		
linear	0.X	±0.5		title 16 S + 6 P VERTICAL PRESS-FIT RECEPT	cat. no. *	Product - Customer Drw	sheet 2 of 4	dwg no 51940-411		
	0.XX	±0.25								
	0.XXX	±0.1								
angular	0°	±2°	www.fci.com							

Prod File - REV C - 2009-08-09



PRODUCT NUMBER		51940-411LF		NOTE: 3		
NOTES:						
1. DIMENSIONS AND TOLERANCES ARE IN ACCORDANCE WITH ASME Y14.5M, 1994 UNLESS OTHERWISE SPECIFIED.						
CONNECTOR NOTES:						
② HOUSING MATERIAL: UL 94 V-0 GLASS FILLED HIGH-TEMP THERMOPLASTIC POWER CONTACT MATERIAL: COPPER ALLOY SIGNAL PIN MATERIAL: COPPER ALLOY						
3. SEE ITEM 7 & 8 IN PRINT 10064183 FOR PLATING SPEC OF 51940-411 AND 51940-411LF RESPECTIVELY.						
④ MANUFACTURER'S NAME, DATE CODE AND OPTIONAL P/N TO APPEAR ON THIS SURFACE. THE P/N CAN BE OMITTED IF THERE IS NOT ENOUGH SPACE ON THIS SURFACE.						
5. PRODUCT SPECIFICATION GS-12-149. APPLICATION SPECIFICATION BUS-20-067.						
6. PACKAGED IN TRAYS.						
PCB NOTES:						
7. ALL HOLE DIAMETERS ARE FINISHED HOLE SIZE.						
⑧ MOUNTING HOLES, WHERE APPLICABLE, ARE UNPLATED.						
⑨ $\varnothing 1.151 \pm 0.025$ DRILLED HOLES PLATED WITH 0.008 MIN SnPb OR Sn OVER 0.03 TO 0.08 Cu PLATING TO ACHIEVE $\varnothing 1.02 \pm 0.07$ HOLE.						
⑩ "DIM XXX" TO BE DETERMINED BY THE CUSTOMER.						
⑪ CONNECTOR KEEP-OUT ZONE.						
12. THE VOID CORING IN BETWEEN POWER MODULES, SIGNAL MODULES AND END MODULES ARE OPTIONAL AND THE SHAPE MAY BE DIFFERENT FOR OPTIMIZE THE MOLDING PROCESS. THE VOID CORING WILL NOT EFFECT TO PRODUCT FUNCTION.						
spec ref *		dr	X Q Wang	2011/12/01	projection	
tolerance std		eng	X Q Wang	2011/12/06	MM	
SEE NOTE		chr	-	-		
TOLERANCES UNLESS OTHERWISE SPECIFIED		appr	Pei-Ming Zheng	2011/12/07	size A4	
surface <input checked="" type="checkbox"/>		www.fci.com			product family PwrBlade	scale 1:1
linear	0.X	$\pm 0.5$	16 S + 6 P		ecn no -	
	0.XX	$\pm 0.25$	VERTICAL PRESS-FIT RECEPT		rel level Released	
	0.XXX	$\pm 0.1$	cat. no. *		rev A	
angular	0°	$\pm 2°$	Product - Customer Drw		sheet 4 of 4	



Copyright FCI.

Print File: REC - 2009-01-09