

Excellent Integrated System Limited

Stocking Distributor

Click to view price, real time Inventory, Delivery & Lifecycle Information:

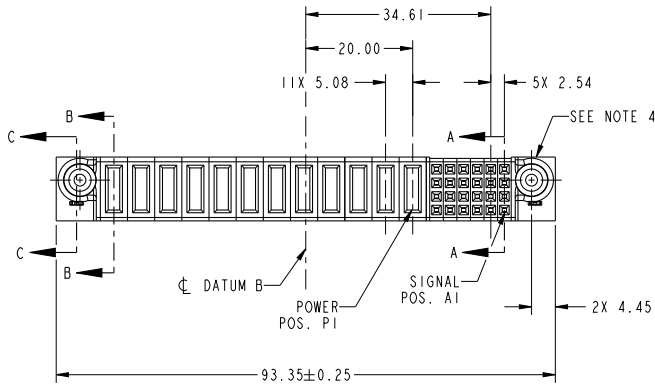
[FCI](#)

[51940-431LF](#)

For any questions, you can email us directly:

sales@integrated-circuit.com

PRODUCT NO.	ROWS	POWER												SIGNAL							
		E2	P12	P11	P10	P9	P8	P7	P6	P5	P4	P3	P2	P1	4	5	4	3	2	1	E1
51940-431-- NOTE: 3	D C B A																				



CODE	DIM "M" MATING LENGTH	CONTACT TYPE
E	[N/A]	SIGNAL
PA	[1.07]	POWER
HA	[N/A]	HOLD-DOWN

spec ref	*	dr	X Q Wang	2012/06/06	projection		MM	size	A4	scale	1:1	
tolerance std	TOLERANCES UNLESS OTHERWISE SPECIFIED	eng	Ruan MT	2013/02/27	chr	-	product family	PwrBlade	ecn no	-	rel level	Released
SEE NOTE		appr	Pei-Ming Zheng	2013/02/27	www.fci.com		24S + 12P	VERTICAL SOLDER RECEPT	cat. no.	51940-431	rev	A
surface	linear	0.X	±0.5	0.XX	±0.25	0.XXX	±0.1	angular	0°	±2°	Product - Customer Drw	

Print File : REC - 2009-08-09

1

2

3

PDS: Rev :A

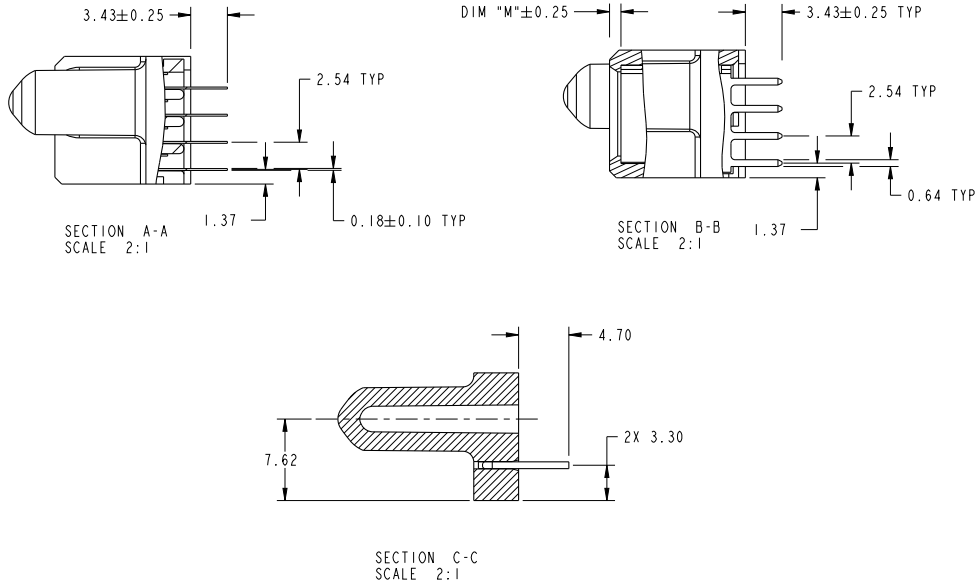
STATUS:Released

Printed: Mar 04, 2013



Copyright FCI.

PRODUCT NUMBER
51940-431...
NOTE: 3



dr	X Q Wang	2012/06/06	projection	MM	size	A4	scale	1:1
eng	Ruan MT	2013/02/27			ecn no	-	rel level	
chr	-	-			product family	PwrBlade	Released	
appr	Pei-Ming Zheng	2013/02/27				part no	24S + 12P	rev
www.fci.com			cat. no.			Product - Customer Drw		sheet 2 of 4

Print File : REV C - 2009-08-09

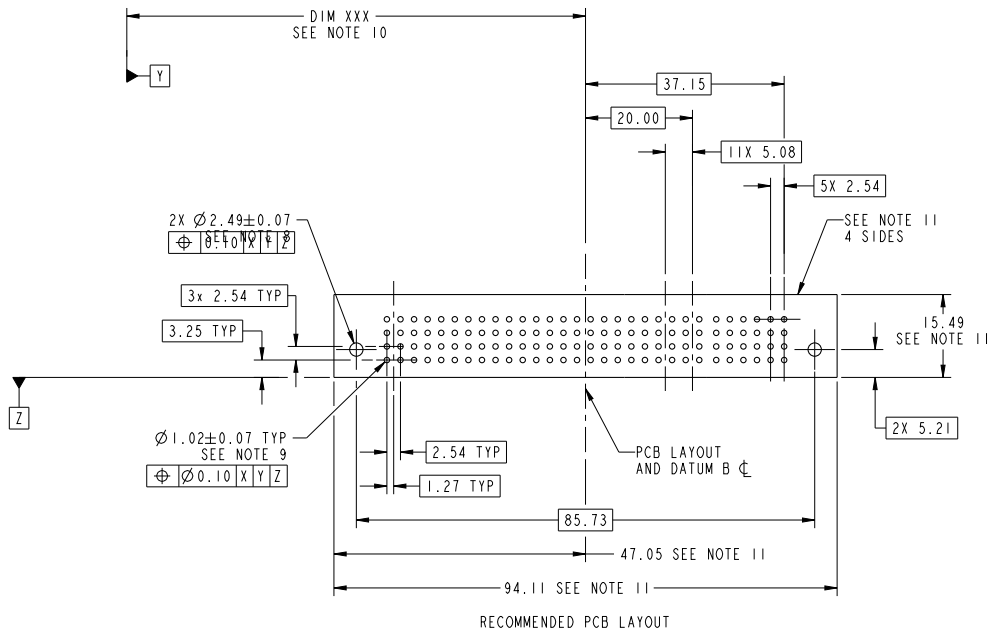
PDS: Rev :A

STATUS:Released

Printed: Mar 04, 2013

Copyright FCI.

PRODUCT NUMBER
51940-431...
NOTE: 3



dr	X Q Wang	2012/06/06	projection	MM	size	A4	scale	1:1	
eng	Ruan MT	2013/02/27			ecn no	-	rel level		
chr	-	-			product family	PwrBlade	Released		
appr	Pei-Ming Zheng	2013/02/27				24S + 12P	dwg no	51940-431	rev
www.fci.com			VERTICAL SOLDER RECEPT			cat. no.	*	Product - Customer Drw	sheet 3 of 4

Print File - REV C - 2009-06-09



Copyright FCI.

PRODUCT NUMBER
51940-431--
NOTE: 3

NOTES:

1. DIMENSIONS AND TOLERANCES ARE IN ACCORDANCE WITH ASME Y14.5M, 1994 UNLESS OTHERWISE SPECIFIED.

CONNECTOR NOTES:

- ② HOUSING MATERIAL: UL 94 V-0 GLASS FILLED HIGH-TEMP THERMOPLASTIC
POWER CONTACT MATERIAL: COPPER ALLOY
SIGNAL PIN MATERIAL: COPPER ALLOY
- 3. SEE ITEM 5 & 6 IN PRINT 10064183 FOR PLATING SPEC OF 51940-431 AND 51940-431LF RESPECTIVELY.
- ④ MANUFACTURER'S NAME, DATE CODE AND OPTIONAL P/N TO APPEAR ON THIS SURFACE. THE P/N CAN BE OMITTED IF THERE IS NOT ENOUGH SPACE ON THIS SURFACE.
- 5. PRODUCT SPECIFICATION GS-12-149.
APPLICATION SPECIFICATION BUS-20-067.
- 6. PACKAGED IN TRAYS.

PCB NOTES:

- 7. ALL HOLE DIAMETERS ARE FINISHED HOLE SIZE.
- ⑧ MOUNTING HOLES, WHERE APPLICABLE, ARE UNPLATED.
- ⑨ $\varnothing 1.151 \pm 0.025$ DRILLED HOLES PLATED WITH
0.008 MIN SnPb OR Sn OVER 0.03
TO 0.08 Cu PLATING TO ACHIEVE
 $\varnothing 1.02 \pm 0.07$ HOLE.
- ⑩ "DIM XXX" TO BE DETERMINED BY THE CUSTOMER.
- ⑪ CONNECTOR KEEP-OUT ZONE.
- 12. THE VOID CORING IN BETWEEN POWER MODULES, SIGNAL MODULES AND END MODULES ARE OPTIONAL AND THE SHAPE MAY BE DIFFERENT FOR OPTIMIZE THE MOLDING PROCESS. THE VOID CORING WILL NOT EFFECT TO PRODUCT FUNCTION.

dr	X Q Wang	2012/06/06	projection		MM	size	A4	scale	1:1
eng	Ruan MT	2013/02/27	chr			-	ecn no	-	
appr	Pei-Ming Zheng	2013/02/27	product family	PwrBlade		rel level	Released		
			24S + 12P VERTICAL SOLDER RECEPT			dwg no 51940-431	rev A		
www.fci.com			cat. no.	*	Product - Customer Drw		sheet 4 of 4		

Print File : REC - 2009-01-09

