

Excellent Integrated System Limited

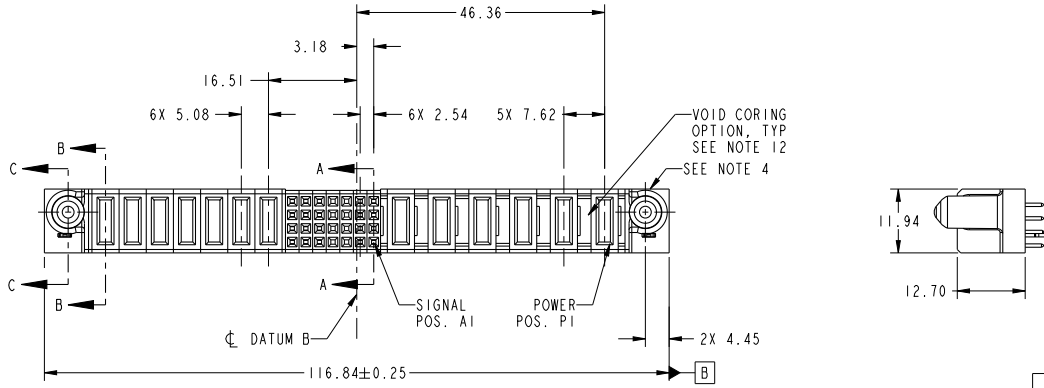
Stocking Distributor

Click to view price, real time Inventory, Delivery & Lifecycle Information:

[FCI](#)
[51940-436LF](#)

For any questions, you can email us directly:
sales@integrated-circuit.com

PRODUCT NO.	ROWS	POWER						SIGNAL				POWER							
		E2	P13	P12	P11	P10	P9	8	7	6	5	P7	P6	P5	P4	P3	P2	P1	E1
51940-436-- NOTE: 3	D C B A																		



CODE	DIM "M" MATING LENGTH	CONTACT TYPE
E	[N/A]	SIGNAL
PA	[1.07]	POWER
HA	[N/A]	HOLD-DOWN
X	N/A	N/A

spec ref	*	dr	Shi Guang	20120510	projection		MM	size	A4	scale	1:1
tolerance std	TOLERANCES UNLESS OTHERWISE SPECIFIED	eng	Ruan MT	20130219				ecn no	-		
SEE NOTE		chr	-	-	product family	PwrBlade		rel level	Released		
surface	linear	appr	Pei-Ming Zheng	20130219	6ACP + 28S + 7P		title	51940-436		rev	A
	0.X	±0.5		VERTICAL SOLDER RECEPT		www.fci.com		cat. no.		* Product - Customer Drw	
	0.XX	±0.25									
	0.XXX	±0.1									
	angular	0°	±2°								

Print File : REC - 2009-08-09

1

2

3

PDS: Rev :A

STATUS:Released

Printed: Feb 20, 2013

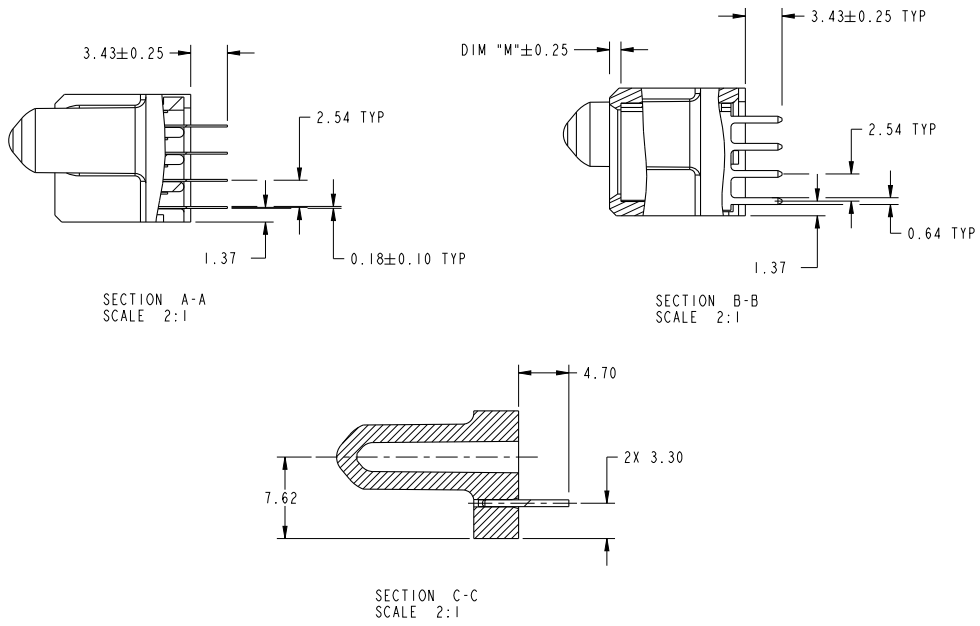


Copyright FCI.

D

PRODUCT NUMBER

51940-436...
NOTE: 3



dr	Shi Guang	2012/05/10	projection	MM	size	A4	scale	1:1			
eng	Ruan MT	2013/02/19			ecn no	-	rel level				
chr	-	-			product family	PwrBlade	Released				
appr	Pei-Ming Zheng	2013/02/19				title	6ACP + 28S + 7P VERTICAL SOLDER RECEPT	dwg no	51940-436	rev	A
www.fci.com			cat. no.	*	Product - Customer Drw			sheet 2 of 4			

Print File : REC - 2009-01-09

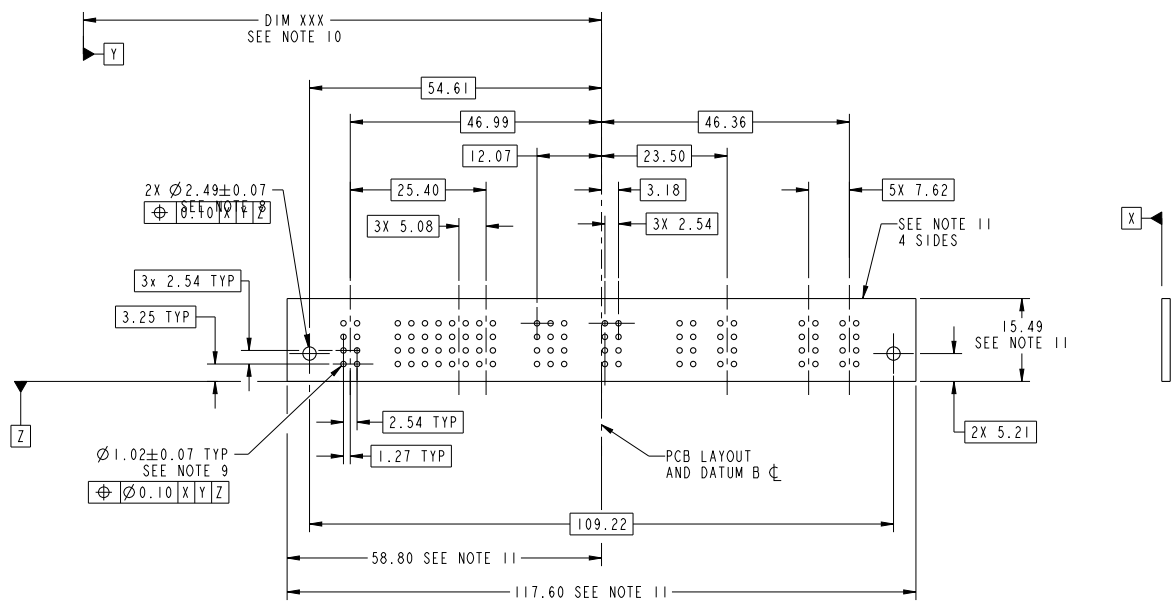
PDS: Rev :A

STATUS:Released

Printed: Feb 20, 2013

Copyright FCI.

PRODUCT NUMBER
51940-436...
NOTE: 3



RECOMMENDED PCB LAYOUT

dr	Shi Guang	2012/05/10	projection	MM	size	A4	scale	1:1
eng	Ruan MT	2013/02/19			ecn no	-	rel level	Released
chr	-	-			product family	PwrBlade		
appr	Pei-Ming Zheng	2013/02/19			6ACP + 28S + 7P	51940-436	rev	A
www.fci.com		cat. no.	*	Product - Customer Drw		sheet 3 of 4		



Copyright FCI.

PRODUCT NUMBER		51940-436_		NOTE: 3																																					
NOTES:																																									
1. DIMENSIONS AND TOLERANCES ARE IN ACCORDANCE WITH ASME Y14.5M, 1994 UNLESS OTHERWISE SPECIFIED.																																									
CONNECTOR NOTES:																																									
② HOUSING MATERIAL: UL 94 V-0 GLASS FILLED HIGH-TEMP THERMOPLASTIC POWER CONTACT MATERIAL: COPPER ALLOY SIGNAL PIN MATERIAL: COPPER ALLOY																																									
3. SEE ITEM 5 & 6 IN PRINT 10064183 FOR PLATING SPEC OF 51940-436 AND 51940-436LF RESPECTIVELY.																																									
④ MANUFACTURER'S NAME, DATE CODE AND OPTIONAL P/N TO APPEAR ON THIS SURFACE. THE P/N CAN BE OMITTED IF THERE IS NOT ENOUGH SPACE ON THIS SURFACE.																																									
5. PRODUCT SPECIFICATION GS-12-149. APPLICATION SPECIFICATION BUS-20-067.																																									
6. PACKAGED IN TRAYS.																																									
PCB NOTES:																																									
7. ALL HOLE DIAMETERS ARE FINISHED HOLE SIZE.																																									
⑧ MOUNTING HOLES, WHERE APPLICABLE, ARE UNPLATED.																																									
⑨ $\varnothing 1.151 \pm 0.025$ DRILLED HOLES PLATED WITH 0.008 MIN SnPb OR Sn OVER 0.03 TO 0.08 Cu PLATING TO ACHIEVE $\varnothing 1.02 \pm 0.07$ HOLE.																																									
⑩ "DIM XXX" TO BE DETERMINED BY THE CUSTOMER.																																									
⑪ CONNECTOR KEEP-OUT ZONE.																																									
12. THE VOID CORING IN BETWEEN POWER MODULES, SIGNAL MODULES AND END MODULES ARE OPTIONAL AND THE SHAPE MAY BE DIFFERENT FOR OPTIMIZE THE MOLDING PROCESS. THE VOID CORING WILL NOT EFFECT TO PRODUCT FUNCTION.																																									
<table border="1"> <tr> <td>dr</td> <td>Shi Guang</td> <td>2012/05/10</td> <td>projection</td> <td rowspan="2"> </td> <td rowspan="2">MM</td> <td>size</td> <td>A4</td> <td>scale</td> <td>1:1</td> </tr> <tr> <td>eng</td> <td>Ruan MT</td> <td>2013/02/19</td> <td>chr</td> <td>-</td> <td>ecn no</td> <td>-</td> </tr> <tr> <td>appr</td> <td>Pei-Ming Zheng</td> <td>2013/02/19</td> <td>product family</td> <td colspan="2">PwrBlade</td> <td>rel level</td> <td colspan="2">Released</td> </tr> </table>		dr	Shi Guang	2012/05/10	projection		MM	size	A4	scale	1:1	eng	Ruan MT	2013/02/19	chr	-	ecn no	-	appr	Pei-Ming Zheng	2013/02/19	product family	PwrBlade		rel level	Released		<table border="1"> <tr> <td rowspan="2"> </td> <td>title</td> <td>6ACP + 28S + 7P</td> <td rowspan="2"> dwg no 51940-436 </td> <td rowspan="2"> rev A </td> </tr> <tr> <td> www.fci.com </td> <td>cat. no.</td> <td>*</td> </tr> </table>			title	6ACP + 28S + 7P	dwg no 51940-436	rev A	www.fci.com	cat. no.	*	<table border="1"> <tr> <td>Product - Customer Drw</td> <td>sheet 4 of 4</td> </tr> </table>		Product - Customer Drw	sheet 4 of 4
dr	Shi Guang	2012/05/10	projection		MM			size	A4	scale	1:1																														
eng	Ruan MT	2013/02/19	chr			-	ecn no	-																																	
appr	Pei-Ming Zheng	2013/02/19	product family	PwrBlade		rel level	Released																																		
	title	6ACP + 28S + 7P	dwg no 51940-436	rev A																																					
	www.fci.com	cat. no.			*																																				
Product - Customer Drw	sheet 4 of 4																																								



Copyright FCI.