

Excellent Integrated System Limited

Stocking Distributor

Click to view price, real time Inventory, Delivery & Lifecycle Information:

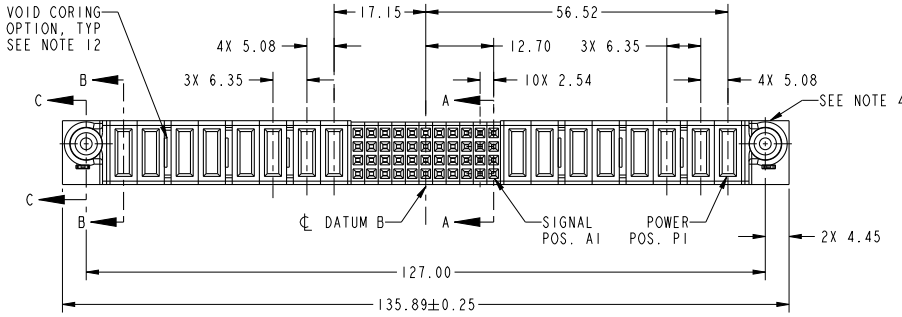
[FCI](#)

[51940-447LF](#)

For any questions, you can email us directly:

sales@integrated-circuit.com

PRODUCT NO.	ROWS	POWER									SIGNAL												POWER								
		E2	P16	15P	P14	P13	P12	P11	P10	P9	11	10	9	8	7	6	5	4	3	2	1	P8	P7	P6	P5	P4	P3	P2	P1	E1	
51940-447-- NOTE: 3	D C B A		PA	PA	PA	PA	PA	PA	PA	E	E	E	E	E	E	E	E	E	E	E	PD	PD	PD	PD	PD	PD	PD	PD	PD		



CODE	DIM "M" MATING LENGTH	CONTACT TYPE
E	[N/A]	SIGNAL
PD	[2.34]	POWER
PA	[1.07]	POWER
HA	[N/A]	HOLD-DOWN

spec ref	*	dr	Luo Weller	2012/07/06	projection		MM	size	A4	scale	1:1	
tolerance std	TOLERANCES UNLESS OTHERWISE SPECIFIED	eng	Luo Weller	2012/09/12	chr	-	product family	PwrBlade	ecn no	-	rel level	Released
SEE NOTE		appr	Pei-Ming Zheng	2012/09/12	www.fci.com		part no	8P + 44S + 8P	cat. no.	*	Product - Customer Drw	sheet 1 of 4
surface	linear	0.X	±0.5	0.XX	±0.25	0.XXX	±0.1	angular	0°	±2°	rev	A
								VERTICAL SOLDER RECEPT	dwg no	51940-447		

Print File: REC - 2009-08-09

1

2

3

PDS: Rev :A

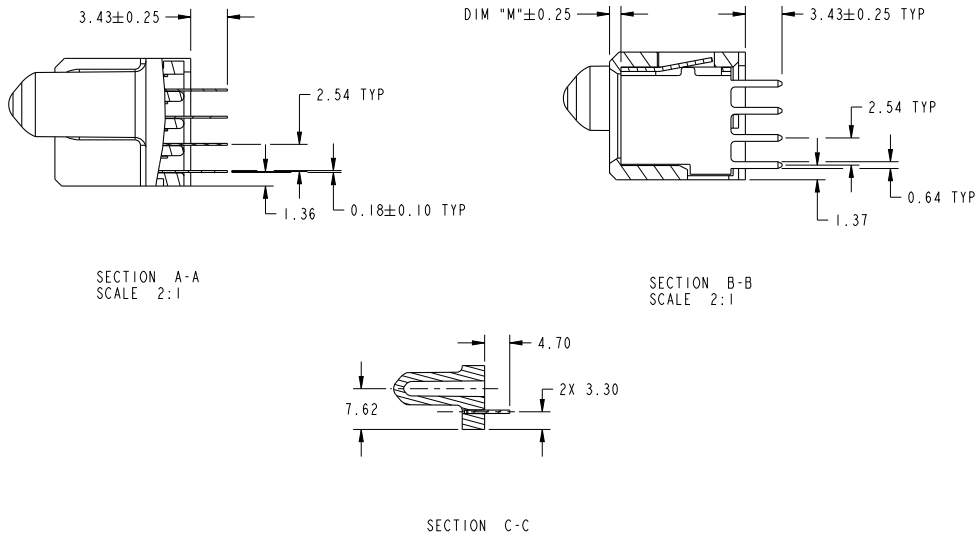
STATUS:Released

Printed: Sep 12, 2012



Copyright FCI.

PRODUCT NUMBER
51940-447...
NOTE: 3



dr	Luo Weller	2012/07/06	projection	MM	size	A4	scale	1:1
eng	Luo Weller	2012/09/12			ecn no	-	rel level	
chr	-	-			product family	PwrBlade	Released	
appr	Pei-Ming Zheng	2012/09/12				title	8P + 44S + 8P	dwg no
www.fci.com						VERTICAL SOLDER RECEPT		51940-447
cat. no.			*			Product - Customer Drw		rev
						sheet 2 of 4		A

Print File : REC - 2009-08-09

PDS: Rev :A

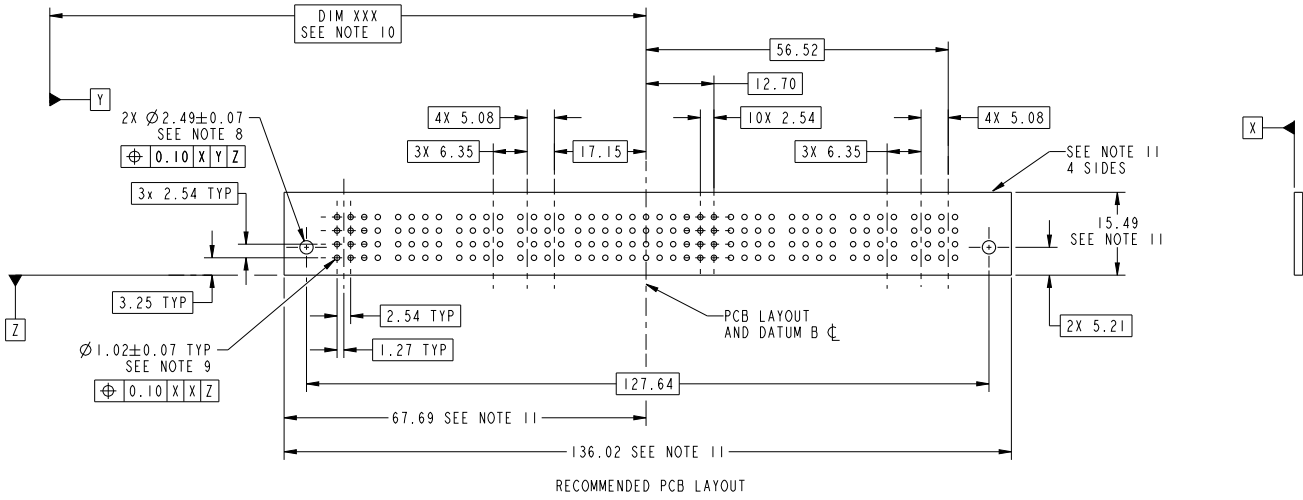
STATUS:Released

Printed: Sep 12, 2012



Copyright FCI.

PRODUCT NUMBER
51940-447...
NOTE: 3



Copyright FCI.

dr	Luo Weller	2012/07/06	projection	MM	size	A4	scale	1:1
eng	Luo Weller	2012/08/12			ecn no	-	rel level	Released
chr	-	-			product family	PwrBlade		
appr	Pei-Ming Zheng	2012/09/12			title	8P + 44S + 8P		dwg no 51940-447 rev A
www.fci.com			cat. no. *		Product - Customer Drw		sheet 3 of 4	

Prod File - REV C - 2009-08-09

PRODUCT NUMBER
51940-447-
NOTE: 3

NOTES:

1. DIMENSIONS AND TOLERANCES ARE IN ACCORDANCE WITH ASME Y14.5M, 1994 UNLESS OTHERWISE SPECIFIED.

CONNECTOR NOTES:

- ② HOUSING MATERIAL: UL 94 V-0 GLASS FILLED HIGH-TEMP THERMOPLASTIC
POWER CONTACT MATERIAL: COPPER ALLOY
SIGNAL PIN MATERIAL: COPPER ALLOY
- 3. SEE ITEM 5 & 6 IN PRINT 10064183 FOR PLATING SPEC OF 51940-447 AND 51940-447LF RESPECTIVELY.

④ MANUFACTURER'S NAME, DATE CODE AND OPTIONAL P/N TO APPEAR ON THIS SURFACE. THE P/N CAN BE OMITTED IF THERE IS NOT ENOUGH SPACE ON THIS SURFACE.

5. PRODUCT SPECIFICATION GS-12-149.
APPLICATION SPECIFICATION BUS-20-067.

6. PACKAGED IN TRAYS.

PCB NOTES:

7. ALL HOLE DIAMETERS ARE FINISHED HOLE SIZE.

⑧ MOUNTING HOLES, WHERE APPLICABLE, ARE UNPLATED.

⑨ $\varnothing 1.151 \pm 0.025$ DRILLED HOLES PLATED WITH
0.008 MIN SnPb OR Sn OVER 0.03
TO 0.08 Cu PLATING TO ACHIEVE
 $\varnothing 1.02 \pm 0.07$ HOLE.

⑩ "DIM XXX" TO BE DETERMINED BY THE CUSTOMER.

⑪ CONNECTOR KEEP-OUT ZONE.

12. THE VOID CORING IN BETWEEN POWER MODULES, SIGNAL MODULES AND END MODULES ARE OPTIONAL AND THE SHAPE MAY BE DIFFERENT FOR OPTIMIZE THE MOLDING PROCESS. THE VOID CORING WILL NOT EFFECT TO PRODUCT FUNCTION.

dr	Luo Weller	2012/07/06	projection	MM	size	A4	scale	1:1
eng	Luo Weller	2012/09/12			ecn no	-	rel level	Released
chr	-	-	product family	PwrBlade	rel level	Released		
appr	Pei-Ming Zheng	2012/09/12			dwg no	51940-447	rev	A
		8P + 44S + 8P		VERTICAL SOLDER RECEPT				
www.fci.com		cat. no.	*	Product - Customer Drw		sheet 4 of 4		

Print File : REC - 2009-08-09



Copyright FCI.