

## Excellent Integrated System Limited

Stocking Distributor

Click to view price, real time Inventory, Delivery & Lifecycle Information:

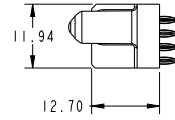
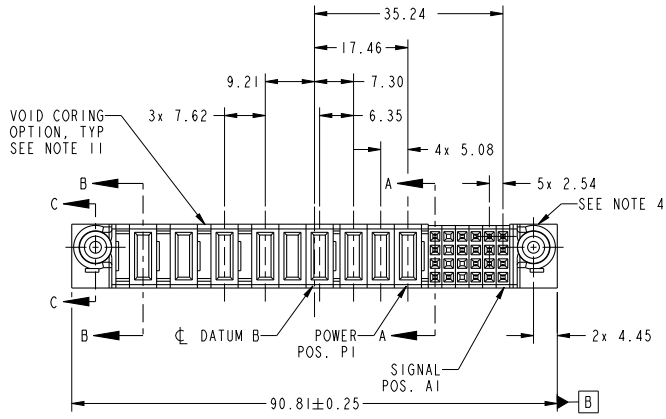
[FCI](#)

[51940-488LF](#)

For any questions, you can email us directly:

[sales@integrated-circuit.com](mailto:sales@integrated-circuit.com)

PRODUCT NO.	ROWS	POWER										SIGNAL				E1				
		E2	P9	P8	P7	P6	P5	P4	P3	P2	P1	4	3	2	1					
51940-488-- NOTE: 3	D C B A		PC	PC	PC	PC	PC	PC	PC	PC	PC	PC	PC	PC	PC	PC	PC	PC	PC	



CODE	DIM "M" MATING LENGTH	CONTACT TYPE
PC	[1.07]	POWER
F	[N/A]	SIGNAL
X	OMITTED	OMITTED

spec ref	*	dr	Luo Weller	2013/04/14	projection		MM	size	A4	scale	1:1	
tolerance std	TOLERANCES UNLESS OTHERWISE SPECIFIED	eng	Luo Weller	2013/04/23	chr	-	product family	PwrBlade	ecn no	-	rel level	Released
SEE NOTE		appr	Pei-Ming Zheng	2013/04/23	24S+6P+3ACP			www.fci.com	cat. no.	*	Product - Customer Drw	sheet 1 of 4
surface	linear	0.X	±0.5	0.XX	±0.25	0.XXX	±0.1	angular	0°	±2°	24S+6P+3ACP	VERTICAL PRESS-FIT RECEPT
											www.fci.com	cat. no.
											51940-488	rev
											A	

Print File: REC - 2009-06-09

1

2

3

PDS: Rev :A

STATUS:Released

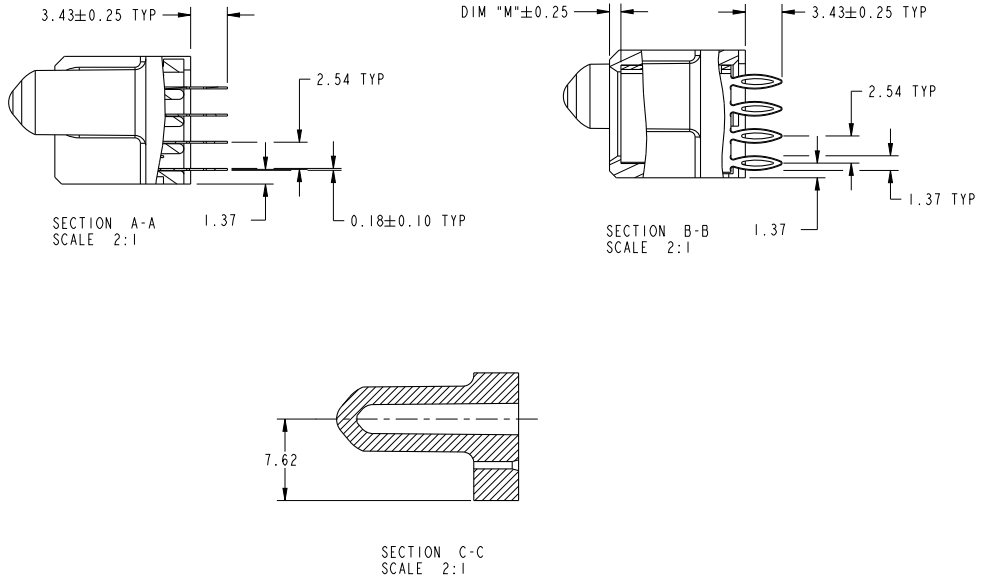
Printed: Apr 25, 2013



Copyright FCI.

D

PRODUCT NUMBER  
51940-488...  
NOTE: 3



dr	Luo Weller	2013/04/14	projection	MM	size	A4	scale	1:1
eng	Luo Weller	2013/04/23			ecn no	-		
chr	-	-			rel level	<b>Released</b>		
appr	Pei-Ming Zheng	2013/04/23	product family	PwrBlade				
	title				24S+6P+3ACP	dwg no	51940-488	rev
www.fci.com	VERTICAL PRESS-FIT RECEPT							<b>A</b>
cat. no.	*	Product - Customer Drw				sheet 2 of 4		

Print File - REV C - 2009-08-09

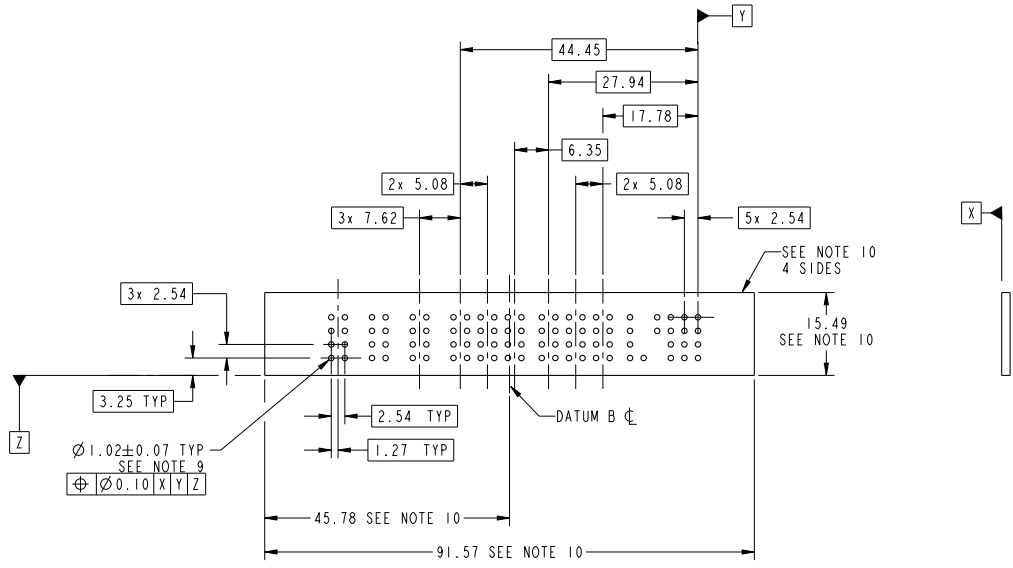
PDS: Rev :A

STATUS:Released

Printed: Apr 25, 2013

Copyright FCI.

PRODUCT NUMBER  
51940-488...  
NOTE: 3



RECOMMENDED PCB LAYOUT

dr	Luo Weller	2013/04/14	projection	MM	size	A4	scale	1:1
eng	Luo Weller	2013/04/23			ecn no	-	rel level	
chr	-	-			product family	PwrBlade	Released	
appr	Pei-Ming Zheng	2013/04/23				24S+6P+3ACP	dwg no	51940-488
www.fci.com			VERTICAL PRESS-FIT RECEPT			rev	A	
cat. no.			*			Product - Customer Drw		sheet 3 of 4

Print File - REV C - 2009-06-09



Copyright FCI.

<b>PRODUCT NUMBER</b>	
51940-488_ _ NOTE: 3	
NOTES:	
1. DIMENSIONS AND TOLERANCES ARE IN ACCORDANCE WITH ASME Y14.5M, 1994 UNLESS OTHERWISE SPECIFIED.	
CONNECTOR NOTES:	
② HOUSING MATERIAL: UL 94 V-0 GLASS FILLED HIGH-TEMP THERMOPLASTIC POWER CONTACT MATERIAL: COPPER ALLOY SIGNAL PIN MATERIAL: COPPER ALLOY	
3. SEE ITEM 7 & 8 IN PRINT 10064183 FOR PLATING SPEC OF 51940-488 AND 51940-488LF RESPECTIVELY.	
④ MANUFACTURER'S NAME, DATE CODE AND OPTIONAL P/N TO APPEAR ON THIS SURFACE. THE MARK CAN BE OMITTED IF THERE IS NOT ENOUGH SPACE ON THIS SURFACE.	
5. PRODUCT SPECIFICATION GS-12-149. APPLICATION SPECIFICATION BUS-20-067.	
6. PACKAGED IN TRAYS.	
PCB NOTES:	
7. ALL HOLE DIAMETERS ARE FINISHED HOLE SIZE.	
⑧ MOUNTING HOLES, WHERE APPLICABLE, ARE UNPLATED.	
⑨ $\varnothing 1.151 \pm 0.025$ DRILLED HOLES PLATED WITH 0.008 MIN SnPb OR Sn OVER 0.03 TO 0.08 Cu PLATING TO ACHIEVE $\varnothing 1.02 \pm 0.07$ HOLE.	
⑩ CONNECTOR KEEP-OUT ZONE.	
11. THE VOID CORING IN BETWEEN POWER MODULES, SIGNAL MODULES AND END MODULES ARE OPTIONAL AND THE SHAPE MAY BE DIFFERENT FOR OPTIMIZE THE MOLDING PROCESS. THE VOID CORING WILL NOT EFFECT TO PRODUCT FUNCTION.	

dr	Luo Weller	2013/04/14	projection		MM	size	A4	scale	1:1
eng	Luo Weller	2013/04/23	chr			-	ecn no	-	
appr	Pei-Ming Zheng	2013/04/23	product family	PwrBlade		rel level	Released		
		title 24S+6P+3ACP VERTICAL PRESS-FIT RECEPT			dwg no 51940-488	rev A	www.fci.com cat. no. * Product - Customer Drw sheet 4 of 4		



Copyright FCI.