

Excellent Integrated System Limited

Stocking Distributor

Click to view price, real time Inventory, Delivery & Lifecycle Information:

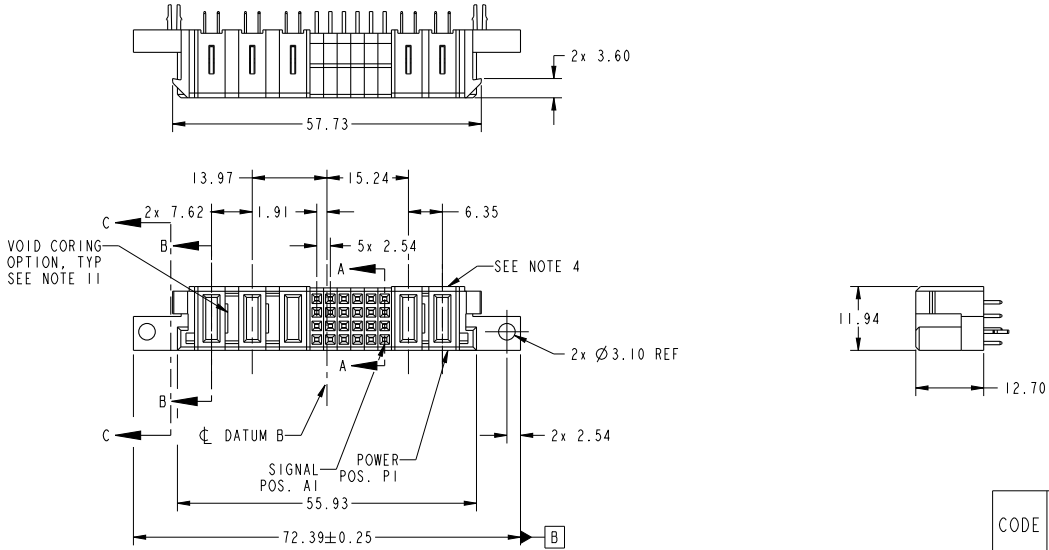
[FCI](#)

[51940-532LF](#)

For any questions, you can email us directly:

sales@integrated-circuit.com

PRODUCT NO.	ROWS	POWER				SIGNAL				POWER			
		E2	P5	P4	P3	6	5	4	3	2	P2	P1	E1
51940-532-- NOTE: 3	D C B A												



CODE	DIM "M" MATING LENGTH	CONTACT TYPE
E	[N/A]	SIGNAL
PA	[1.07]	POWER
HA	[N/A]	HOLD-DOWN

spec ref	*	dr	Ruan MT	2014/04/22	projection		MM	size	A4	scale	1:1
tolerance std	TOLERANCES UNLESS OTHERWISE SPECIFIED	eng	De-Ming Lu	2014/05/26	product family	PwrBlade	ecn no	ELX-DG-17788-1	rel level	Released	
SEE NOTE		chr	-	-	product family	PwrBlade	rel level	Released			
surface	linear	appr	Pei-Ming Zheng	2014/05/27	product family	PwrBlade	rel level	Released			
	0.X	±0.5		2P+24S+3ACP	VERTICAL SOLDER RECEPT	www.fci.com	cat. no.	* Product - Customer Drw	sheet 1 of 4	rev	B
	0.XX	±0.25									
	0.XXX	±0.1									
	angular	0°	±2°								

Print File: REV C - 2009-08-09

1

2

3

PDS: Rev :B

STATUS:Released

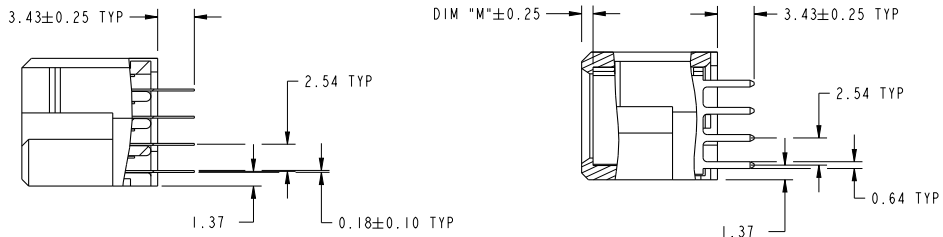
Printed: May 27, 2014



Copyright FCI.

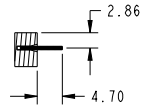
PRODUCT NUMBER

51940-532LF
NOTE: 3



SECTION A-A
SCALE 2:1

SECTION B-B
SCALE 2:1



SECTION C-C

dr	Ruan MT	2014/04/22	projection	MM	size	A4	scale	1:1
eng	De-Ming Lu	2014/05/26			ecn no	ELX-DG-17788-1		
chr	-	-	product family	PwrBlade	rel level	Released		
appr	Pei-Ming Zheng	2014/05/27			title	2P+24S+3ACP		rev
					www.fci.com		cat. no.	*
					dwg no	51940-532		B

Print File : REC - 2009-06-09

PDS: Rev :B

STATUS:Released

Printed: May 27, 2014



Copyright FCI.

PRODUCT NUMBER	
51940-532-- NOTE: 3	
NOTES:	
1. DIMENSIONS AND TOLERANCES ARE IN ACCORDANCE WITH ASME Y14.5M, 1994 UNLESS OTHERWISE SPECIFIED.	
CONNECTOR NOTES:	
② HOUSING MATERIAL: UL 94 V-0 GLASS FILLED HIGH-TEMP THERMOPLASTIC POWER CONTACT MATERIAL: COPPER ALLOY SIGNAL PIN MATERIAL: COPPER ALLOY	
3. SEE ITEM 5 & 6 IN PRINT 10064183 FOR PLATING SPEC OF 51940-532 AND 51940-532LF RESPECTIVELY.	
④ MANUFACTURER'S NAME, DATE CODE AND OPTIONAL P/N TO APPEAR ON THIS SURFACE. THE MARK CAN BE OMITTED IF THERE IS NOT ENOUGH SPACE ON THIS SURFACE.	
5. PRODUCT SPECIFICATION GS-12-149. APPLICATION SPECIFICATION BUS-20-067.	
6. PACKAGED IN TRAYS.	
PCB NOTES:	
7. ALL HOLE DIAMETERS ARE FINISHED HOLE SIZE.	
⑧ MOUNTING HOLES, WHERE APPLICABLE, ARE UNPLATED.	
⑨ $\varnothing 1.151 \pm 0.025$ DRILLED HOLES PLATED WITH 0.008 MIN SnPb OR Sn OVER 0.03 TO 0.08 Cu PLATING TO ACHIEVE $\varnothing 1.02 \pm 0.07$ HOLE.	
⑩ CONNECTOR KEEP-OUT ZONE.	
11. THE VOID CORING IN BETWEEN POWER MODULES, SIGNAL MODULES AND END MODULES ARE OPTIONAL AND THE SHAPE MAY BE DIFFERENT FOR OPTIMIZE THE MOLDING PROCESS. THE VOID CORING WILL NOT EFFECT TO PRODUCT FUNCTION.	
12. A Δ B SYMBOL WILL BE NEXT TO ANY DIMENSION, VIEW, OR NOTE WHICH HAS BEEN MODIFIED WITH THE CURRENT DRAWING REVISION.	

dr	Ruan MT	2014/04/22	projection		size	A4	scale	1:1			
eng	De-Ming Lu	2014/05/26		← →	ec n no	ELX-DG-17788-1					
chr	-	-			product family	PwrBlade	rel level	Released			
appr	Pei-Ming Zheng	2014/05/27	FCj		title	2P+24S+3ACP		dwg no	51940-532	rev	B
www.fci.com		cat. no.	*	Product - Customer Drw			sheet 4 of 4				



Copyright FCI.