

## Excellent Integrated System Limited

Stocking Distributor

Click to view price, real time Inventory, Delivery & Lifecycle Information:

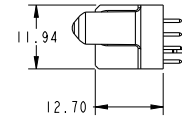
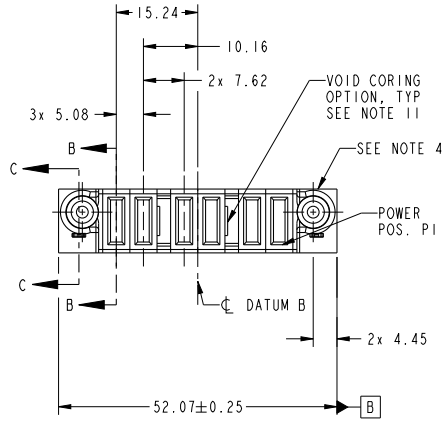
[FCI](#)

[51940-537LF](#)

For any questions, you can email us directly:

[sales@integrated-circuit.com](mailto:sales@integrated-circuit.com)

PRODUCT NO.	ROWS	POWER			POWER			E1	
		E2	P6	P5	P4	P3	P2		P1
51940-537-- NOTE: 3	D C B A								



CODE	DIM "M" MATING LENGTH	CONTACT TYPE
PA	[1.07]	POWER
HA	[N/A]	HOLD-DOWN

spec ref	*	dr	Ruan MT	2014/05/26	projection		MM	size	A4	scale	1:1	
tolerance std	TOLERANCES UNLESS OTHERWISE SPECIFIED	eng	De-Ming Lu	2014/06/05	chr	-	product family	PwrBlade	ecn no	-	rel level	Released
SEE NOTE		appr	Pei-Ming Zheng	2014/06/05			6P	VERTICAL SOLDER RECEPT	cat. no.	51940-537	rev	A
surface	linear	0.X	±0.5				www.fci.com	Product - Customer Drw		sheet 1 of 4		
		0.XX	±0.25									
		0.XXX	±0.1									
	angular	0°	±2°									

Print File: REC - 2009-06-09

1

2

3

PDS: Rev :A

STATUS:Released

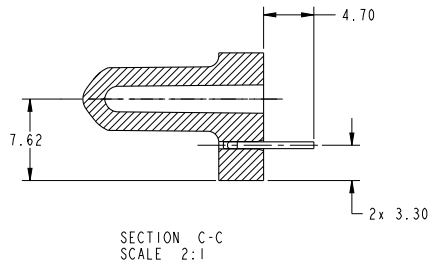
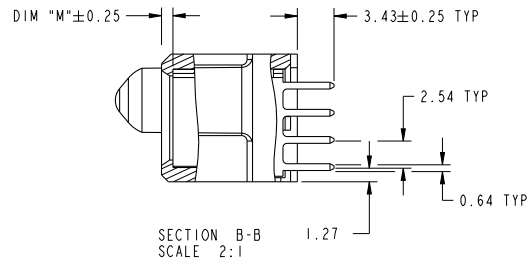
Printed: Jun 06, 2014



Copyright FCI.

PRODUCT NUMBER

51940-537...  
NOTE: 3



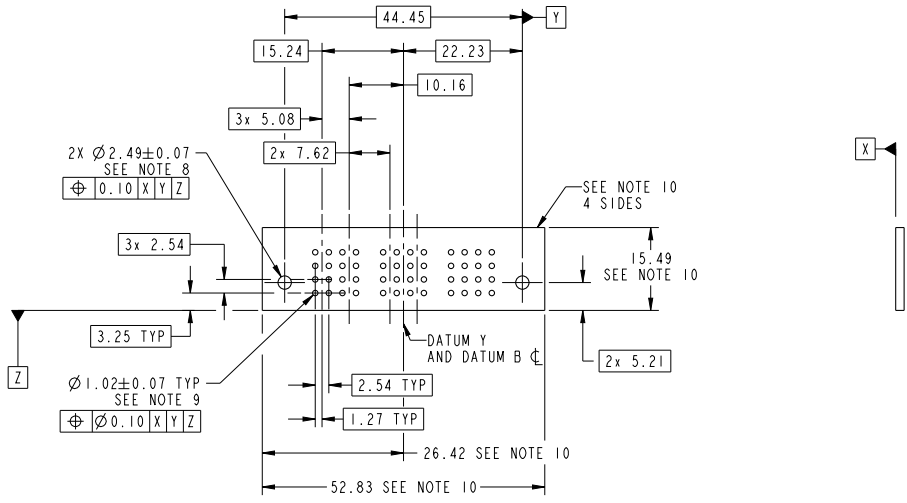
dr	Ruan MT	2014/05/26	projection	MM	size	A4	scale	1:1
eng	De-Ming Lu	2014/06/05			ecn no	-	rel level	
chr	-	-			product family	PwrBlade	Released	
appr	Pei-Ming Zheng	2014/06/05				title 6P VERTICAL SOLDER RECEPT	dwg no 51940-537	rev A
www.fci.com			cat. no.	*	Product - Customer Drw			sheet 2 of 4

Print File : REC - 2009-06-09



Copyright FCI.

PRODUCT NUMBER  
51940-537...  
NOTE: 3



RECOMMENDED PCB LAYOUT

dr	Ruan MT	2014/05/26	projection	MM	size	A4	scale	1:1
eng	De-Ming Lu	2014/06/05			ecn no	-	rel level	
chr	-	-			Product family		PwrBlade	Released
appr	Pei-Ming Zheng	2014/06/05				cat. no.	51940-537	rev
			title 6P VERTICAL SOLDER RECEPT			Product - Customer Drw		sheet 3 of 4

Print File : REC - 2014-06-06



Copyright FCI.

<b>PRODUCT NUMBER</b>	
51940-537LF NOTE: 3	
NOTES:	
1. DIMENSIONS AND TOLERANCES ARE IN ACCORDANCE WITH ASME Y14.5M, 1994 UNLESS OTHERWISE SPECIFIED.	
CONNECTOR NOTES:	
② HOUSING MATERIAL: UL 94 V-0 GLASS FILLED HIGH-TEMP THERMOPLASTIC POWER CONTACT MATERIAL: COPPER ALLOY SIGNAL PIN MATERIAL: COPPER ALLOY	
3. SEE ITEM 5 & 6 IN PRINT 10064183 FOR PLATING SPEC OF 51940-537 AND 51940-537LF RESPECTIVELY.	
④ MANUFACTURER'S NAME, DATE CODE AND OPTIONAL P/N TO APPEAR ON THIS SURFACE. THE MARK CAN BE OMITTED IF THERE IS NOT ENOUGH SPACE ON THIS SURFACE.	
5. PRODUCT SPECIFICATION GS-12-149. APPLICATION SPECIFICATION BUS-20-067.	
6. PACKAGED IN TRAYS.	
PCB NOTES:	
7. ALL HOLE DIAMETERS ARE FINISHED HOLE SIZE.	
⑧ MOUNTING HOLES, WHERE APPLICABLE, ARE UNPLATED.	
⑨ $\varnothing 1.151 \pm 0.025$ DRILLED HOLES PLATED WITH 0.008 MIN SnPb OR Sn OVER 0.03 TO 0.08 Cu PLATING TO ACHIEVE $\varnothing 1.02 \pm 0.07$ HOLE.	
⑩ CONNECTOR KEEP-OUT ZONE.	
11. THE VOID CORING IN BETWEEN POWER MODULES, SIGNAL MODULES AND END MODULES ARE OPTIONAL AND THE SHAPE MAY BE DIFFERENT FOR OPTIMIZE THE MOLDING PROCESS. THE VOID CORING WILL NOT EFFECT TO PRODUCT FUNCTION.	

dr	Ruan MT	2014/05/26	projection	MM	size	A4	scale	1:1
eng	De-Ming Lu	2014/06/05			ecn no	-	rel level	Released
chr	-	-	product family	PwrBlade				
appr	Pei-Ming Zheng	2014/06/05			rev	51940-537	A	
		title	6P VERTICAL SOLDER RECEPT		www.fci.com		cat. no.	*
		Product - Customer Drw		sheet 4 of 4				



Copyright FCI.