

Excellent Integrated System Limited

Stocking Distributor

Click to view price, real time Inventory, Delivery & Lifecycle Information:

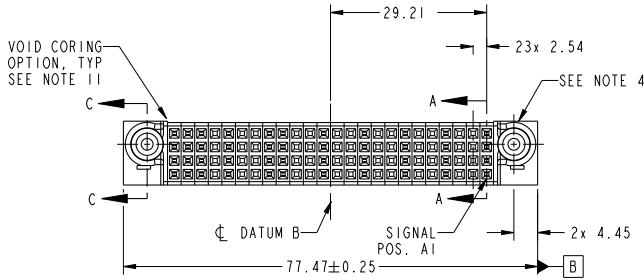
[FCI](#)

[51940-541LF](#)

For any questions, you can email us directly:

sales@integrated-circuit.com

PRODUCT NO.	ROWS	SIGNAL																							
		E2	24	23	22	21	20	19	18	17	16	15	14	13	12	11	10	9	8	7	6	5	4	3	2
51940-541-- NOTE: 3	D C B A																								



CODE	DIM "M" MATING LENGTH	CONTACT TYPE
F	[N/A]	SIGNAL
X	OMITTED	OMITTED

spec ref	*	dr	Luo Weller	2014/07/09	projection	MM	size	A4	scale	1:1
tolerance std	TOLERANCES UNLESS OTHERWISE SPECIFIED	eng	Luo Weller	2014/07/28		← MM →	ecp no	-	rel level	Released
SEE NOTE		chr	-	-			product family	PwrBlade		
surface	linear	appr	Pei-Ming Zheng	2014/07/28			96S	51940-541	rev	A
	0.X ±0.5			VERTICAL PRESS-FIT RECEPT						
	0.XX ±0.25			www.fci.com						
	0.XXX ±0.1			cat. no. *		Product - Customer Drw		sheet 1 of 4		
	angular 0° ±2°									

Print File : REC - 2009-06-09

1

2

3

PDS: Rev :A

STATUS:Released

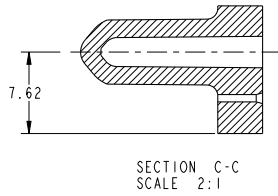
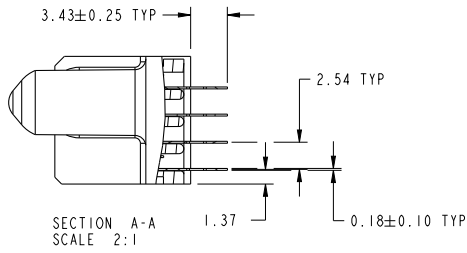
Printed: Jul 28, 2014



Copyright FCI.

PRODUCT NUMBER

51940-541LF
NOTE: 3



dr	Luo Weller	2014/07/09	projection	MM	size	A4	scale	1:1
eng	Luo Weller	2014/07/28			ecn no	-		
chr	-	-	product family	PwrBlade	rel level	Released		
appr	Pei-Ming Zheng	2014/07/28				title 96S VERTICAL PRESS-FIT RECEPT	dwg no 51940-541	rev A
www.fci.com		cat. no.	*	Product - Customer Drw		sheet 2 of 4		

Print File - REV C - 2009-08-09

PDS: Rev :A

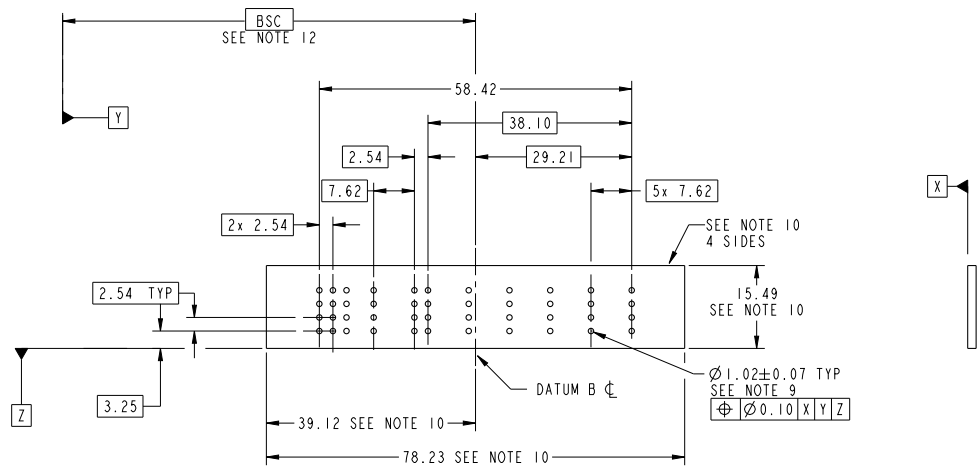
STATUS:Released

Printed: Jul 28, 2014



Copyright FCI.

PRODUCT NUMBER
51940-541LF
NOTE: 3



RECOMMENDED PCB LAYOUT

dr	Luo Weller	2014/07/09	projection	MM	size	A4	scale	1:1	
eng	Luo Weller	2014/07/28			ecn no	-	rel level		
chr	-	-			product family	PwrBlade	Released		
appr	Pei-Ming Zheng	2014/07/28				title	96S	dwg no	
www.fci.com			cat. no.			* Product - Customer Drw		51940-541	
								rev	A
							sheet 3 of 4		



Copyright FCI.

PRODUCT NUMBER	
51940-541LF NOTE: 3	
NOTES:	
1. DIMENSIONS AND TOLERANCES ARE IN ACCORDANCE WITH ASME Y14.5M, 1994 UNLESS OTHERWISE SPECIFIED.	
CONNECTOR NOTES:	
② HOUSING MATERIAL: UL 94 V-0 GLASS FILLED HIGH-TEMP THERMOPLASTIC POWER CONTACT MATERIAL: COPPER ALLOY SIGNAL PIN MATERIAL: COPPER ALLOY	
3. SEE ITEM 7 & 8 IN PRINT 10064183 FOR PLATING SPEC OF 51940-541 AND 51940-541LF RESPECTIVELY.	
④ MANUFACTURER'S NAME, DATE CODE AND OPTIONAL P/N TO APPEAR ON THIS SURFACE. THE MARK CAN BE OMITTED IF THERE IS NOT ENOUGH SPACE ON THIS SURFACE.	
5. PRODUCT SPECIFICATION GS-12-149. APPLICATION SPECIFICATION BUS-20-067.	
6. PACKAGED IN TRAYS.	
PCB NOTES:	
7. ALL HOLE DIAMETERS ARE FINISHED HOLE SIZE.	
⑧ MOUNTING HOLES, WHERE APPLICABLE, ARE UNPLATED.	
⑨ $\varnothing 1.151 \pm 0.025$ DRILLED HOLES PLATED WITH 0.008 MIN SnPb OR Sn OVER 0.03 TO 0.08 Cu PLATING TO ACHIEVE $\varnothing 1.02 \pm 0.07$ HOLE.	
⑩ CONNECTOR KEEP-OUT ZONE.	
11. THE VOID CORING IN BETWEEN POWER MODULES, SIGNAL MODULES AND END MODULES ARE OPTIONAL AND THE SHAPE MAY BE DIFFERENT FOR OPTIMIZE THE MOLDING PROCESS. THE VOID CORING WILL NOT EFFECT TO PRODUCT FUNCTION.	
⑫ DATUM AND BASIC DIMENIONS ARE ESTABLISHED BY CUSTOMER.	

dr	Luo Weller	2014/07/09	projection		MM	size	A4	scale	1:1
eng	Luo Weller	2014/07/28	chr			-	ecn no	-	
appr	Pei-Ming Zheng	2014/07/28	product family	PwrBlade		rel level	Released		
www.fci.com		cat. no.	*	Product - Customer Drw		sheet 4 of 4			



Copyright FCI.