

Excellent Integrated System Limited

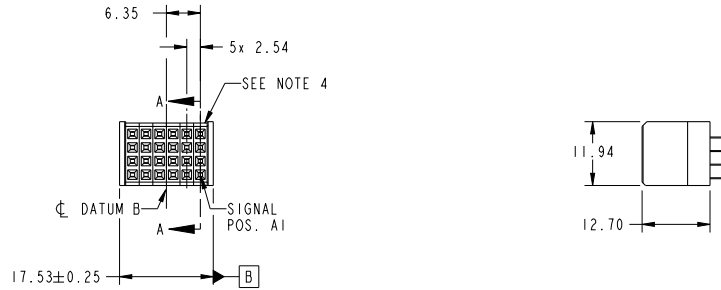
Stocking Distributor

Click to view price, real time Inventory, Delivery & Lifecycle Information:

[FCI](#)
[51940-542LF](#)

For any questions, you can email us directly:
sales@integrated-circuit.com

PRODUCT NO.	ROWS	SIGNAL					
		6	5	4	3	2	1
51940-542-- NOTE: 3	D	E	F	F	F	F	F
	C	E	F	F	F	F	F
	B	E	F	F	F	F	F
	A	E	F	F	F	F	F



Copyright FCI.

spec ref	*			dr	Ruan MT	2014/07/14	projection	MM	size	A4	scale	1:1	
tolerance std	TOLERANCES UNLESS OTHERWISE SPECIFIED			eng	De-Ming Lu	2014/08/28		←→	ecn no	-	rel level	Released	
SEE NOTE				chr	-	-			product family	PwrBlade			
surface	linear	0.X	±0.5	appr	Pei-Ming Zheng	2014/08/28	www.fci.com			24S	cat. no.	*	Product - Customer Drw
		0.XX	±0.25				VERTICAL STB RECEPT			51940-542	rev	A	sheet 1 of 4
	angular	0°	±2°										

Prod File - REV C - 2009-08-09

1

2

3

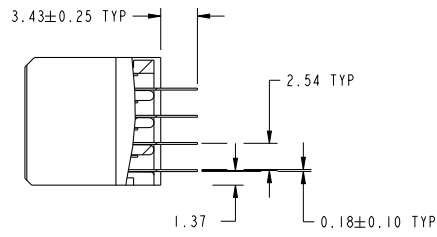
PDS: Rev :A

STATUS:Released

Printed: Aug 28, 2014

PRODUCT NUMBER

51940-542...
NOTE: 3



dr	Ruan MT	2014/07/14	projection	MM	size	A4	scale	1:1
eng	De-Ming Lu	2014/08/28			ecn no	-		
chr	-	-	product family	PwrBlade	rel level	Released		
appr	Pei-Ming Zheng	2014/08/28			title	24S		rev
www.fci.com			cat. no.		* Product - Customer Drw		sheet 2 of 4	
			dwg no		51940-542		A	

Print File - REV C - 2009-08-09

PDS: Rev :A

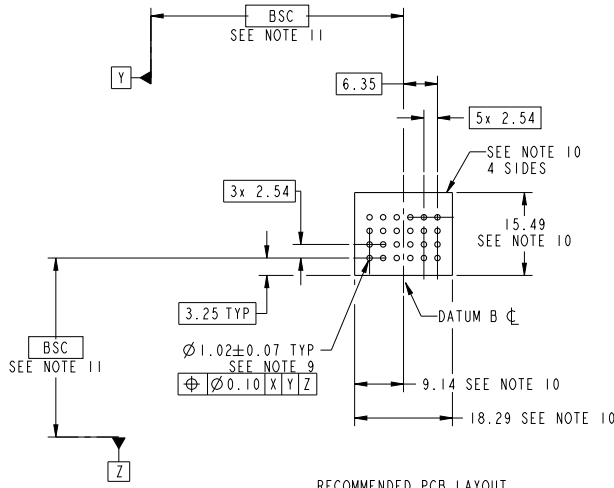
STATUS:Released

Printed: Aug 28, 2014



Copyright FCI.

PRODUCT NUMBER
51940-542..
NOTE: 3



RECOMMENDED PCB LAYOUT

dr	Ruan MT	2014/07/14	projection	MM	size	A4	scale	1:1
eng	De-Ming Lu	2014/08/28			ecn no	-	rel level	
chr	-	-			Released			
appr	Pei-Ming Zheng	2014/08/28	product family		PwrBlade		rel level	
			24S VERTICAL STB RECEPT			dwg no 51940-542		rev A
www.fci.com			cat. no.		*		Product - Customer Drw	

Print File : REC - 2014-08-28



Copyright FCI.

PRODUCT NUMBER
51940-542--
NOTE: 3

NOTES:

1. DIMENSIONS AND TOLERANCES ARE IN ACCORDANCE WITH ASME Y14.5M, 1994 UNLESS OTHERWISE SPECIFIED.

CONNECTOR NOTES:

- ② HOUSING MATERIAL: UL 94 V-0 GLASS FILLED HIGH-TEMP THERMOPLASTIC
POWER CONTACT MATERIAL: COPPER ALLOY
SIGNAL PIN MATERIAL: COPPER ALLOY
- 3. SEE ITEM 5 & 6 IN PRINT 10064183 FOR PLATING SPEC OF 51940-542 AND 51940-542LF RESPECTIVELY.
- ④ MANUFACTURER'S NAME, DATE CODE AND OPTIONAL P/N TO APPEAR ON THIS SURFACE. THE MARK CAN BE OMITTED IF THERE IS NOT ENOUGH SPACE ON THIS SURFACE.
- 5. PRODUCT SPECIFICATION GS-12-149.
APPLICATION SPECIFICATION BUS-20-067.
- 6. PACKAGED IN TRAYS.

PCB NOTES:

- 7. ALL HOLE DIAMETERS ARE FINISHED HOLE SIZE.
- ⑧ MOUNTING HOLES, WHERE APPLICABLE, ARE UNPLATED.
- ⑨ $\varnothing 1.151 \pm 0.025$ DRILLED HOLES PLATED WITH 0.008 MIN SnPb OR Sn OVER 0.03 TO 0.08 Cu PLATING TO ACHIEVE $\varnothing 1.02 \pm 0.07$ HOLE.
- ⑩ CONNECTOR KEEP-OUT ZONE.
- ⑪ DATUM AND BASIC DIMENSIONS ARE ESTABLISHED BY CUSTOMER.



Copyright FCI.

dr	Ruan MT	2014/07/14	projection			size	A4	scale	1:1	
eng	De-Ming Lu	2014/08/28	chr			-	ecn no	-		
appr	Pei-Ming Zheng	2014/08/28	product family	PwrBlade		rel level	Released			
			title	24S		dwg no	51940-542		rev	A
www.fci.com			cat. no.	*	Product - Customer Drw		sheet 4 of 4			

Print File - REC - 2009-08-09