

Excellent Integrated System Limited

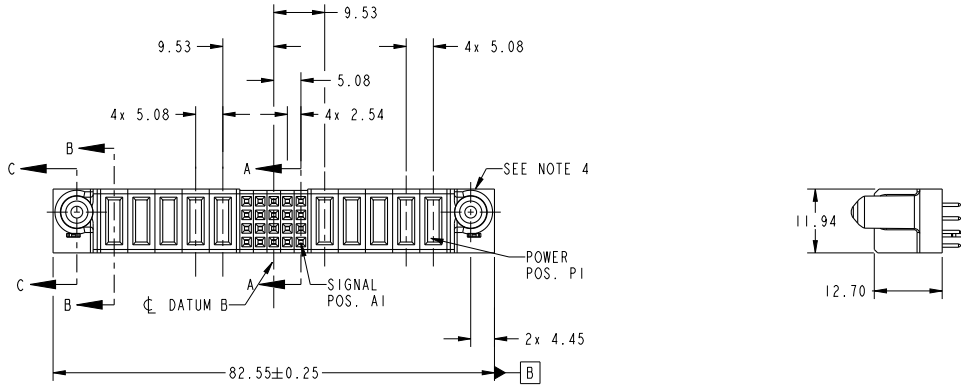
Stocking Distributor

Click to view price, real time Inventory, Delivery & Lifecycle Information:

[FCI](#)
[51940-544LF](#)

For any questions, you can email us directly:
sales@integrated-circuit.com

PRODUCT NO.	ROWS	POWER					SIGNAL					POWER						
		E2	P10	P9	P8	P7	P6	5	4	3	2	1	P5	P4	P3	P2	P1	E1
51940-544-- NOTE: 3	D C B A		PA	PA	PA	PA	PA	PA	PA	PA	PA	PA	PA	PA	PA	PA	PA	



CODE	DIM "M" MATING LENGTH	CONTACT TYPE
E	[N/A]	SIGNAL
PA	[1.07]	POWER
HA	[N/A]	HOLD-DOWN

spec ref	*	dr	Ruan MT	2014/07/21	projection	MM	size	A4	scale	1:1
tolerance std	TOLERANCES UNLESS OTHERWISE SPECIFIED	eng	Ruan MT	2014/08/12		product family	ecn no	rel level	Released	rev
SEE NOTE		chr	-	-						
surface	linear	appr	Pei-Ming Zheng	2014/08/12	5DCP + 20S + 5DCP		51940-544		A	
	angular	www.fci.com		cat. no.	VERTICAL STB RECEIPT		Product - Customer Drw			

Print File - REC - 2009-08-09

1

2

3

PDS: Rev :A

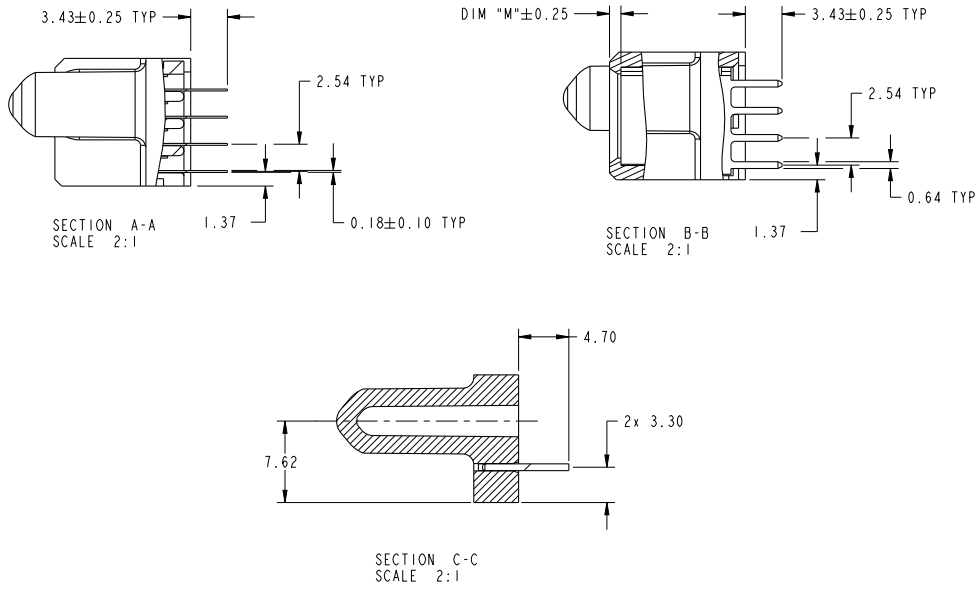
STATUS:Released

Printed: Aug 12, 2014



Copyright FCI.

PRODUCT NUMBER
51940-544...
NOTE: 3



dr	Ruan MT	2014/07/21	projection	MM	size	A4	scale	1:1			
eng	Ruan MT	2014/08/12			ecn no	-	rel level				
chr	-	-			product family	PwrBlade	Released				
appr	Pei-Ming Zheng	2014/08/12				title	5DCP + 20S + 5DCP VERTICAL STB RECEP	dwg no	51940-544	rev	A
www.fci.com			cat. no.	*	Product - Customer Drw			sheet 2 of 4			

Print File : REC - 2009-08-09

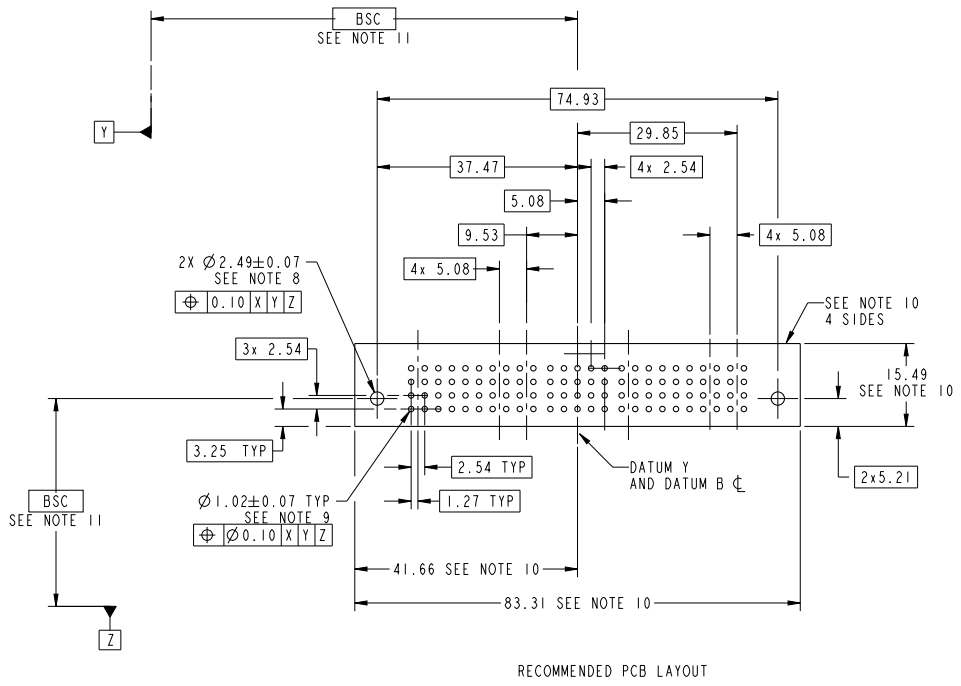
PDS: Rev :A

STATUS:Released

Printed: Aug 12, 2014

Copyright FCI.

PRODUCT NUMBER
51940-544...
NOTE: 3



RECOMMENDED PCB LAYOUT

dr	Ruan MT	2014/07/21	projection	MM	size	A4	scale	1:1
eng	Ruan MT	2014/08/12			ecn no	-	rel level	Released
chr	-	-			product family	PwrBlade		
appr	Pei-Ming Zheng	2014/08/12			5DCP + 20S + 5DCP VERTICAL STB RECEPT		rev A	
www.fci.com			cat. no.		Product - Customer Drw		sheet 3 of 4	

Print File: REC - 2009-08-09

PDS: Rev :A

STATUS:Released

Printed: Aug 12, 2014

PRODUCT NUMBER
51940-544...
NOTE: 3

NOTES:

1. DIMENSIONS AND TOLERANCES ARE IN ACCORDANCE WITH ASME Y14.5M, 1994 UNLESS OTHERWISE SPECIFIED.

CONNECTOR NOTES:

- ② HOUSING MATERIAL: UL 94 V-0 GLASS FILLED HIGH-TEMP THERMOPLASTIC
POWER CONTACT MATERIAL: COPPER ALLOY
SIGNAL PIN MATERIAL: COPPER ALLOY
- 3. SEE ITEM 5 & 6 IN PRINT 10064183 FOR PLATING SPEC OF 51940-544 AND 51940-544LF RESPECTIVELY.
- ④ MANUFACTURER'S NAME, DATE CODE AND OPTIONAL P/N TO APPEAR ON THIS SURFACE. THE MARK CAN BE OMITTED IF THERE IS NOT ENOUGH SPACE ON THIS SURFACE.
- 5. PRODUCT SPECIFICATION GS-12-149.
APPLICATION SPECIFICATION BUS-20-067.
- 6. PACKAGED IN TRAYS.

PCB NOTES:

- 7. ALL HOLE DIAMETERS ARE FINISHED HOLE SIZE.
- ⑧ MOUNTING HOLES, WHERE APPLICABLE, ARE UNPLATED.
- ⑨ $\varnothing 1.151 \pm 0.025$ DRILLED HOLES PLATED WITH 0.008 MIN SnPb OR Sn OVER 0.03 TO 0.08 Cu PLATING TO ACHIEVE $\varnothing 1.02 \pm 0.07$ HOLE.
- ⑩ CONNECTOR KEEP-OUT ZONE.
- 11. THE VOID CORING IN BETWEEN POWER MODULES, SIGNAL MODULES AND END MODULES ARE OPTIONAL AND THE SHAPE MAY BE DIFFERENT FOR OPTIMIZE THE MOLDING PROCESS. THE VOID CORING WILL NOT EFFECT TO PRODUCT FUNCTION.
- ⑫ DATUM AND BASIC DIMENIONS ARE ESTABLISHED BY CUSTOMER.



Copyright FCI.

dr	Ruan MT	2014/07/21	projection		MM	size	A4	scale	1:1		
eng	Ruan MT	2014/08/12	product family			PwrBlade	ecn no	-	rel level	Released	
chr	-	-			rel level	Released					
appr	Pei-Ming Zheng	2014/08/12			title	5DCP + 20S + 5DCP		dwg no	51940-544	rev	A
www.fci.com		cat. no.	*	Product - Customer Drw				sheet 4 of 4			

Print File : REC - 2009-08-09