

Excellent Integrated System Limited

Stocking Distributor

Click to view price, real time Inventory, Delivery & Lifecycle Information:

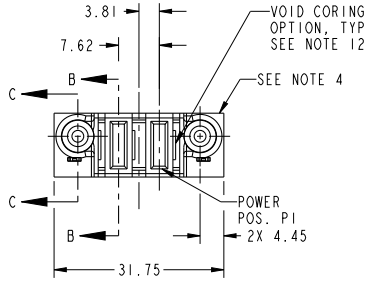
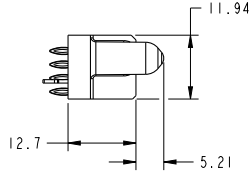
[FCI](#)

[51940-557LF](#)

For any questions, you can email us directly:

sales@integrated-circuit.com

PRODUCT NO. 51940-557-- NOTE: 3	POWER			
	E2	P2	P1	E1



CODE	DIM "M" MATING LENGTH	CONTACT TYPE
PC	[1.07]	POWER
HA	[N/A]	HOLD-DOWN

spec ref	SEE NOTES			dr	Luo Weller	2014/11/02	projection	MM	size	A4	scale	1:1
tolerance std	TOLERANCES UNLESS OTHERWISE SPECIFIED			eng	Luo Weller	2014/11/17			ecn no	-	rel level	Released
SEE NOTES				chr	-	-	product family	PwrBlade	cat. no.	51940-557	rev	A
surface	linear	0.X	±0.50	appr	Pei-Ming Zheng	2014/11/14	www.fci.com	Product - Customer Drw	sheet 1 of 4			
SEE NOTES	angular	0°	±2°									

Prod File - REC - 2009-08-09

1

2

3

PDS: Rev :A

STATUS:Released

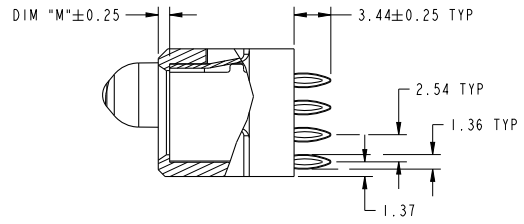
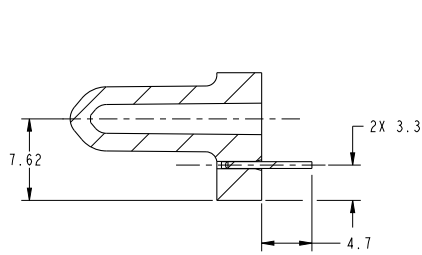
Printed: Nov 18, 2014



Copyright FCI.

PRODUCT NUMBER

51940-557LF
NOTE: 3



dr	Luo Weller	2014/11/02	projection	MM	size	A4	scale	1:1
eng	Luo Weller	2014/11/17			ecn no	-	rel level	
chr	-	-			product family	PwrBlade	Released	
appr	Pei-Ming Zheng	2014/11/14				dwg no	51940-557	rev
www.fci.com			title 2ACP VERTICAL PF RECEPT			cat. no.		Product - Customer Drw
						sheet 2 of 4		

Print File : REC - 2009-08-09

PDS: Rev :A

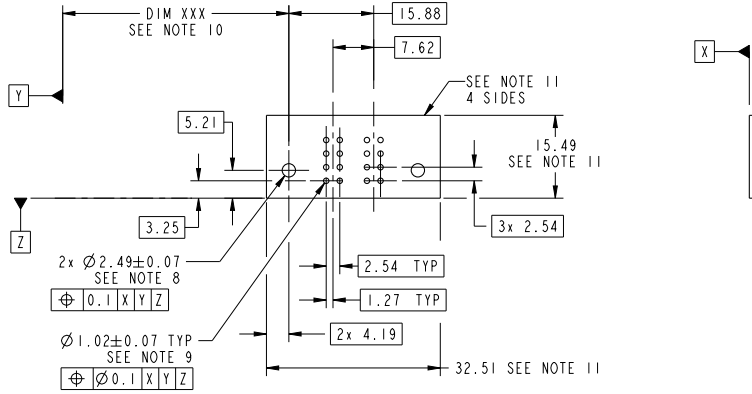
STATUS:Released

Printed: Nov 18, 2014

Copyright FCI.

PRODUCT NUMBER

51940-557...
NOTE: 3



RECOMMENDED PCB LAYOUT

dr	Luo Weller	2014/11/02	projection	MM	size	A4	scale	1:1
eng	Luo Weller	2014/11/17			ecn no	-	rel level	Released
chr	-	-	product family	PwrBlade				
appr	Pei-Ming Zheng	2014/11/14			rel level	Released		
		2ACP VERTICAL PF RECEPT			dwg no	51940-557		rev A
www.fci.com		cat. no.	Product - Customer Drw			sheet 3 of 4		

Prod File - REV C - 2009-06-09



Copyright FCI.

PRODUCT NUMBER

51940-557-
NOTE: 3

NOTES:

1. DIMENSIONS AND TOLERANCES ARE IN ACCORDANCE WITH ASME Y14.5M, 1994 UNLESS OTHERWISE SPECIFIED.

CONNECTOR NOTES:

- ② HOUSING MATERIAL: UL 94 V-0 GLASS FILLED HIGH-TEMP THERMOPLASTIC
POWER CONTACT MATERIAL: COPPER ALLOY
SIGNAL PIN MATERIAL: COPPER ALLOY
- 3. SEE ITEM 7 & 8 IN PRINT 10064183 FOR PLATING SPEC OF 51940-557 AND 51940-557LF RESPECTIVELY.
- ④ MANUFACTURER'S NAME, P/N, AND DATE CODE TO APPEAR ON THIS SURFACE.
- 5. PRODUCT SPECIFICATION GS-12-149.
APPLICATION SPECIFICATION BUS-20-067.
- 6. PACKAGED IN TRAYS.

PCB NOTES:

- 7. ALL HOLE DIAMETERS ARE FINISHED HOLE SIZE.
- ⑧ MOUNTING HOLES, WHERE APPLICABLE, ARE UNPLATED.
- ⑨ $\varnothing 1.151 \pm 0.025$ DRILLED HOLES PLATED WITH
0.008 MIN SnPb OR Sn OVER 0.03
TO 0.08 Cu PLATING TO ACHIEVE
 $\varnothing 1.02 \pm 0.07$ HOLE.
- ⑩ "DIM XXX" TO BE DETERMINED BY THE CUSTOMER.
- ⑪ CONNECTOR KEEP-OUT ZONE.
- 12. THE VOID CORING IN BETWEEN POWER MODULES, SIGNAL MODULES AND END MODULES ARE OPTIONAL AND THE SHAPE MAY BE DIFFERENT FOR OPTIMIZE THE MOLDING PROCESS. THE VOID CORING WILL NOT EFFECT TO PRODUCT FUNCTION.

dr	Luo Weller	2014/11/02	projection		MM	size	A4	scale	1:1	
eng	Luo Weller	2014/11/17	chr			-	ecn no	-		
appr	Pei-Ming Zheng	2014/11/14	product family	PwrBlade		rel level	Released			
			title	2ACP VERTICAL PF RECEPT		dwg no	51940-557		rev	A
www.fci.com			cat. no.	Product - Customer Drw			sheet 4 of 4			

Print File - REC - 2009-06-09



Copyright FCI.