

## Excellent Integrated System Limited

Stocking Distributor

Click to view price, real time Inventory, Delivery & Lifecycle Information:

[FCI](#)  
[51952-048](#)

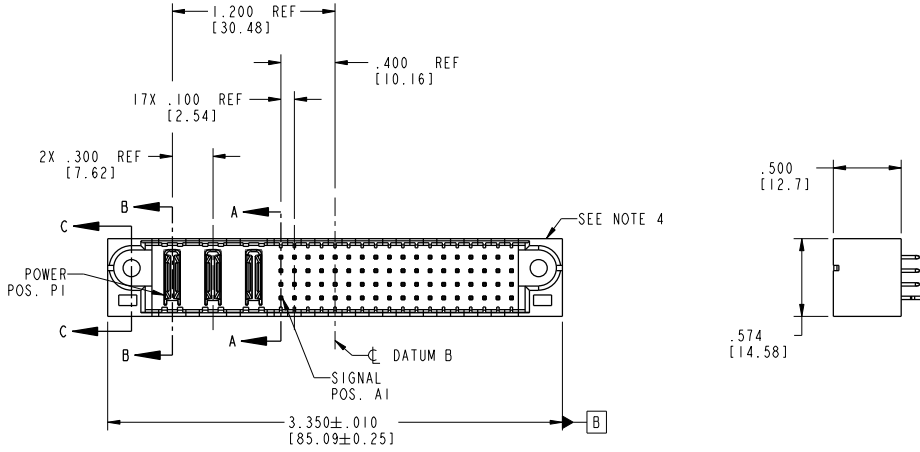
For any questions, you can email us directly:  
[sales@integrated-circuit.com](mailto:sales@integrated-circuit.com)

Tous droits strictement réservés. Reproduction ou communication à des tiers interdite sans autorisation écrite du propriétaire. Propriété de c FCI. Droits de reproduction FCI.

**FCI**

All rights strictly reserved. Reproduction or issue to third parties in any form without written authority from the proprietor. Property of FCI. Copyright FCI.

PRODUCT NO.	ROWS	POWER			SIGNAL																E2			
		E1	P1	P2	P3	1	2	3	4	5	6	7	8	9	10	11	12	13	14	15		16	17	18
51952-048... NOTE 3	D C B A																							



CODE	DIM "M" MATING LENGTH		CONTACT TYPE
E	.270	[6.86]	SIGNAL
PA	N/A	[N/A]	POWER
HA	N/A	[N/A]	HOLD-DOWN

mat'l code		SEE NOTE 2		tolerances unless otherwise specified		CUSTOMER		<b>FCI</b>		www.fciconnect.com	
itr	ecm no.	dr	date	linear	$XX \pm .01/0.3 \pm 0.3$	projection	COPY	title	3ACP + 72S		
A	V04-1033	TAB	10/19/04		$.XXI \pm .005/0.3 \pm 0.13$			VERTICAL SOLDER HEADER			
B	D605-0515	Ryan	12/06/05	angles	$XXII \pm .002/0.3 \pm 0.051$			product family	PwrBlade		code
				dr	T. BRUNGARD	10/19/04		INCH/MM	size	213	
				eng	M. GRAY	10/19/04		scale	A		sheet
				chr	M. GRAY	10/19/04		1:1	51952-048		1 of 4
				appd	M. GRAY	10/19/04					
sheet index	revision sheet	B	B	B	B						
		1	2	3	4						

Pro/E

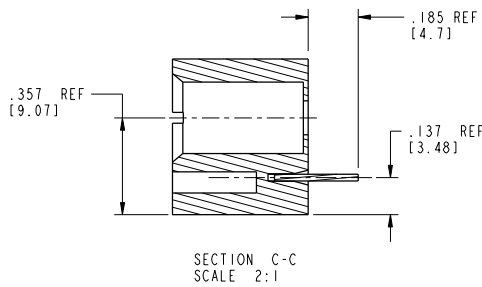
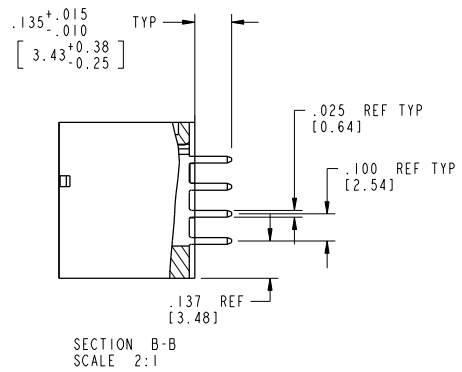
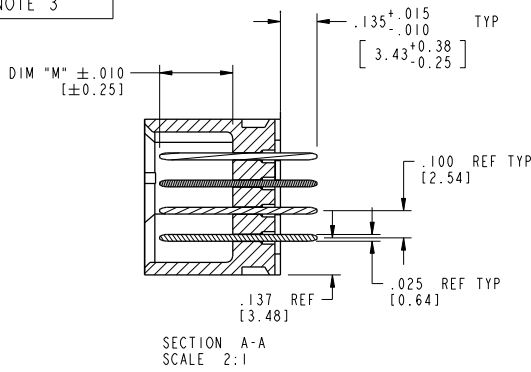
cage code 22526

Tous droits strictement réservés. Reproduction ou communication à des tiers interdite sous quelque forme que ce soit sans autorisation écrite du propriétaire. Propriété de c FCI. Droits de reproduction FCI.



All rights strictly reserved. Reproduction or issue to third parties in any form whatever is not permitted without written authority from the proprietor. Property of FCI. Copyright FCI.

PRODUCT NUMBER  
51952-048...  
NOTE 3



mat'l code		SEE NOTE 2		tolerances unless otherwise specified		CUSTOMER		www.fciconnect.com	
itr	ecm no.	dr	date	linear	XX ± .01 / 0.3 ± 0.3	COPY		title	3ACP + 72S
B				linear	.XX ± .005 / 0. XX ± 0.13	projection		VERTICAL SOLDER HEADER	
				angles	XX ± .002 / 0. XX ± 0.051			product family	PwrBlade
				dr	T. BRUNGARD 10/19/04	INCH/MM		size	213
				eng	M. GRAY 10/19/04	scale		dwg no	51952-048
				chr	M. GRAY 10/19/04	1:1		sheet	2 of 4
				appd	M. GRAY 10/19/04				
sheet index	revision sheet								

Pro/E

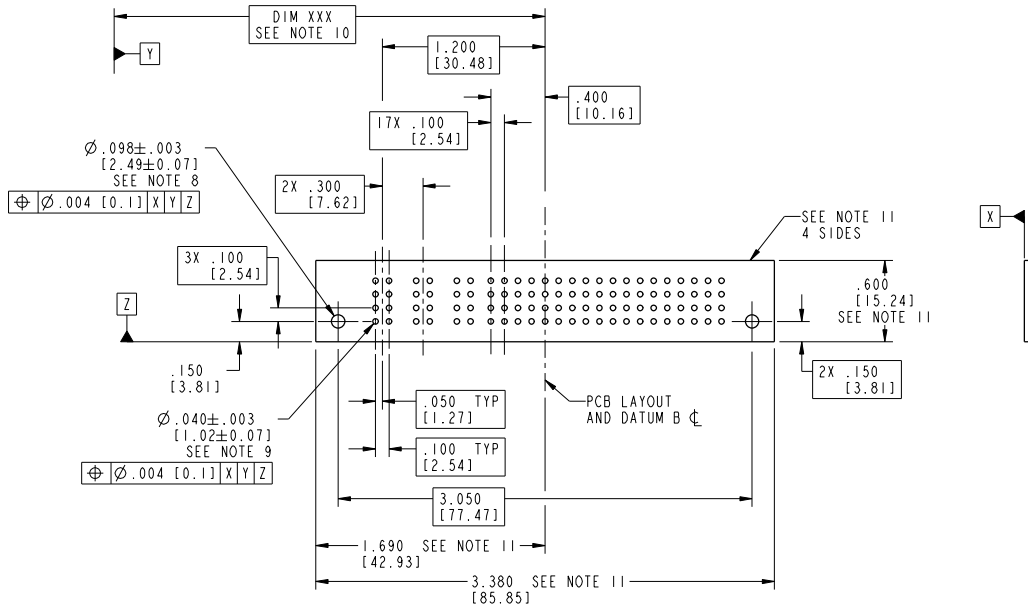
cage code 22526

Tous droits strictement réservés. Reproduction ou communication à des tiers interdite sous quelque forme que ce soit sans autorisation écrite du propriétaire. Propriété de c FCI. Droits de reproduction FCI.



All rights strictly reserved. Reproduction or issue to third parties in any form whatever is not permitted without written authority from the proprietor. Property of FCI. Copyright FCI.

PRODUCT NUMBER  
51952-048..  
NOTE 3



mat'l code		SEE NOTE 2	tolerances unless otherwise specified	CUSTOMER	<b>FCI</b>	www.fciconnect.com
thr	ecm no.	dr	date	COPY	title	3ACP + 72S
B				linear	projection	VERTICAL SOLDER HEADER
				linear	$.XX \pm .01 / 0.3 \pm 0.3$	product family
				angles	$.XX \pm .005 / 0.1 \pm 0.13$	PwrBlade
				angles	$.XX \pm .002 / 0.1 \pm 0.051$	code
				dr	$0 \pm 7$	213
				eng	T. BRUNGARD 10/19/04	sheet
				chr	M. GRAY 10/19/04	3 of 4
				appd	M. GRAY 10/19/04	
sheet index	revision sheet			INCH/MM	scale	
				1:1		

Pro/E

cage code 22526

Tous droits strictement réservés. Reproduction ou communication à des tiers interdite sous quelque forme que ce soit sans autorisation écrite du propriétaire. Propriété de c FCI. Droits de reproduction FCI.



All rights strictly reserved. Reproduction or issue to third parties in any form whatever is not permitted without written authority from the proprietor. Property of FCI. Copyright FCI.

PRODUCT NUMBER
51952-048..
NOTE 3

NOTES:

1. DIMENSIONS AND TOLERANCES ARE IN ACCORDANCE WITH ASME Y14.5M, 1994 UNLESS OTHERWISE SPECIFIED.

CONNECTOR NOTES:

2 HOUSING MATERIAL: UL 94 V-0 GLASS FILLED HIGH-TEMP THERMOPLASTIC

POWER CONTACT MATERIAL: COPPER ALLOY  
SIGNAL PIN MATERIAL: COPPER ALLOY

3. PLATING:

51952-048: SIGNAL PIN: 30u"/0.76um Au OVER 50u"/1.27um Ni ON THE CONTACT AREA  
AND 100u"/2.54um SnPb OVER 50u"/1.27um Ni ON THE TERMINATION AREA  
POWER PIN: 30u"/0.76um Au OVER 50u"/1.27um Ni ON THE CONTACT AREA  
AND 100u"/2.54um SnPb OVER 50u"/1.27um Ni ON THE TERMINATION AREA

51952-048LF: SIGNAL PIN: 30u"/0.76um Au OVER 50u"/1.27um Ni ON THE CONTACT AREA  
AND 78u"/2.00um Sn OVER 50u"/1.27um Ni ON THE TERMINATION AREA  
POWER PIN: 30u"/0.76um Au OVER 50u"/1.27um Ni ON THE CONTACT AREA  
AND 78u"/2.00um Sn OVER 50u"/1.27um Ni ON THE TERMINATION AREA

PART NUMBER 51952-048LF MEETS EUROPEAN UNION DIRECTIVE AND OTHER COUNTRY REGULATIONS AS DESCRIBED IN GS-22-008.

THE HOUSING WILL WITHSTAND EXPOSURE TO 260° PEAK TEMPERATURE FOR 10 SECONDS IN A WAVE SOLDER APPLICATION WITH A CIRCUIT BOARD.

4 MANUFACTURER'S NAME, P/N, AND DATE CODE TO APPEAR ON THIS SURFACE.

5. PRODUCT SPECIFICATION GS-12-149.  
APPLICATION SPECIFICATION BUS-20-067.

6. PACKAGED IN TRAYS.

PCB NOTES:

7. ALL HOLE DIAMETERS ARE FINISHED HOLE SIZE.

8. MOUNTING HOLES, WHERE APPLICABLE, ARE UNPLATED.

9  $\varnothing .0453 \pm .0010$  [1.151 ± 0.025] DRILLED HOLES PLATED WITH  
.0003 [0.008] MIN SnPb OVER .001 [0.03]  
TO .003 [0.08] Cu PLATING TO ACHIEVE  
 $\varnothing .040 \pm .003$  [1.02 ± .07] HOLE.

10 "DIM XXX" TO BE DETERMINED BY THE CUSTOMER.

11 CONNECTOR KEEP-OUT ZONE.

mat'l code		SEE NOTE 2		tolerances unless otherwise specified		CUSTOMER		www.fciconnect.com	
thr	ecm no.	dr	date	linear	.XX ± .01 / 0.X ± 0.3	projection	COPY	title	3ACP + 72S
B				angles	.XX ± .005 / 0.X ± 0.13			product family	VERTICAL SOLDER HEADER
				dr	.XX ± .0020 / 0.X ± 0.051			size	PwrBlade
				eng	0 ± 7°	scale	1:1	dwg no	51952-048
				chr	T. BRUNGARD 10/19/04			sheet	4 of 4
				appd	M. GRAY 10/19/04				
sheet index	revision sheet								

Pro/E

cage code 22526