

Excellent Integrated System Limited

Stocking Distributor

Click to view price, real time Inventory, Delivery & Lifecycle Information:

[FCI](#)
[51952-051](#)

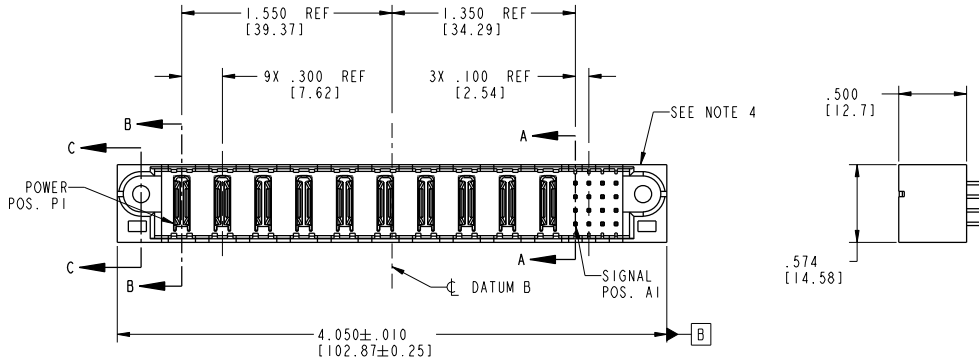
For any questions, you can email us directly:
sales@integrated-circuit.com

Tous droits strictement réservés. Reproduction ou communication à des tiers interdite sous quelque forme que ce soit sans autorisation écrite du propriétaire. Propriété de c FCI. Droits de reproduction FCI.



All rights strictly reserved. Reproduction or issue to third parties in any form whatever is not permitted without written authority from the proprietor. Property of FCI. Copyright FCI.

PRODUCT NO.	ROWS	POWER										SIGNAL					
		E1	P1	P2	P3	P4	P5	P6	P7	P8	P9	P10	1	2	3	4	E2
51952-051- NOTE ③	D C B A		PA	PA	PA	PA	PA	PA	PA	PA	PA	PA					



CODE	DIM "M"	MATING LENGTH	CONTACT TYPE
PA	N/A	[N/A]	POWER
E	.270	[6.86]	SIGNAL
H	.220	[5.59]	SIGNAL

mat'l code		SEE NOTE 2	tolerances unless otherwise specified	CUSTOMER	FCI	www.fciconnect.com
thr	ecm no.	dr	date	linear	projection	title
A	D605-0011	SW	01/20/05	linear	XX±.01/0.3±0.3	10P+16S
B	D605-0515	Ryan	12/09/05	linear	XX±.005/0.11±0.13	VERTICAL SOLDER HEADER
				angles	XX±.002/0.11±0.051	product family
				dr	0°±7°	PwrBlade
				eng	STEVEN WANG 01/20/05	code
				chr	LH 01/20/05	213
				oppd	VICTOR LIN 01/20/05	sheet
					JOSEPH HSIA 01/20/05	1 of 4
sheet index	revision sheet	B 1	B 2	B 3	B 4	

Pro/E

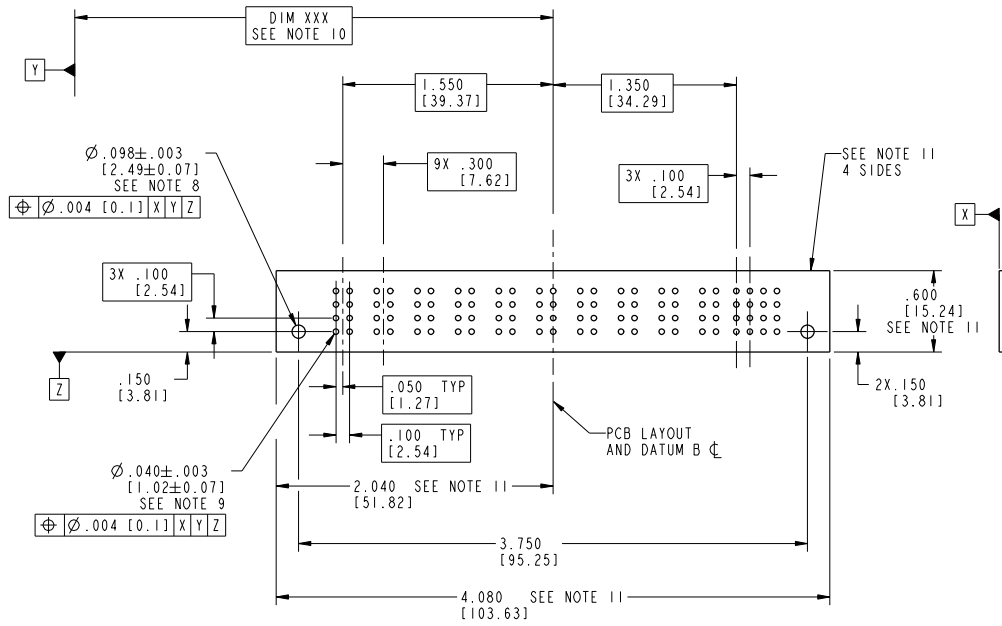
cage code 22526

Tous droits strictement réservés. Reproduction ou communication à des tiers interdite sous quelque forme que ce soit sans autorisation écrite du propriétaire. Propriété de c FCI. Droits de reproduction FCI.

FCI

All rights strictly reserved. Reproduction or issue to third parties in any form whatever is not permitted without written authority from the proprietor. Property of FCI. Copyright FCI.

PRODUCT NUMBER
51952-051
NOTE ③



mat'l code		SEE NOTE 2		tolerances unless otherwise specified		CUSTOMER		FCI		www.fciconnect.com	
thr	ecn no.	dr	date	linear	.XX±.01/0.X±0.3	projection	COPY	title	10P+16S		
B				angles	.XXY±.005/0.XY±0.13	0°±7°		VERTICAL SOLDER HEADER			
				dr	STEVEN WANG 01/20/05	INCH/MM	product family	PwrBlade		code	213
				eng	LH 01/20/05	scale	size	A		sheet	3 of 4
				chr	VICTOR LIN 01/20/05	1:1	dwg no	51952-051			
				appd	JOSEPH HSIA 01/20/05						
sheet index	revision sheet										

Pro/E

cage code 22526

Tous droits strictement réservés. Reproduction ou communication à des tiers interdite sans autorisation écrite du propriétaire. Propriété de FCI. Droits de reproduction FCI.

All rights strictly reserved. Reproduction or issue to third parties in any form whatever is not permitted without written authority from the proprietor. Property of FCI. Copyright FCI.

PRODUCT NUMBER
51952-051
NOTE ③

NOTES:

1. DIMENSIONS AND TOLERANCES ARE IN ACCORDANCE WITH ASME Y14.5M, 1994 UNLESS OTHERWISE SPECIFIED.

CONNECTOR NOTES:

② HOUSING MATERIAL: UL 94 V-0 GLASS FILLED HIGH-TEMP THERMOPLASTIC

POWER CONTACT MATERIAL: COPPER ALLOY
 SIGNAL PIN MATERIAL: COPPER ALLOY

3. PLATING:

51952-051: SIGNAL PIN: 30u"/0.76um Au OVER 50u"/1.27um Ni ON THE CONTACT AREA
 AND 100u"/2.54um SnPb OVER 50u"/1.27um Ni ON THE TERMINATION AREA
 POWER PIN: 30u"/0.76um Au OVER 50u"/1.27um Ni ON THE CONTACT AREA
 AND 100u"/2.54um SnPb OVER 50u"/1.27um Ni ON THE TERMINATION AREA

51952-051LF: SIGNAL PIN: 30u"/0.76um Au OVER 50u"/1.27um Ni ON THE CONTACT AREA
 AND 78u"/2.00um Sn OVER 50u"/1.27um Ni ON THE TERMINATION AREA
 POWER PIN: 30u"/0.76um Au OVER 50u"/1.27um Ni ON THE CONTACT AREA
 AND 78u"/2.00um Sn OVER 50u"/1.27um Ni ON THE TERMINATION AREA

PART NUMBER 51952-051LF MEETS EUROPEAN UNION DIRECTIVE AND OTHER COUNTRY REGULATIONS AS DESCRIBED IN GS-22-008.

THE HOUSING WILL WITHSTAND EXPOSURE TO 260° PEAK TEMPERATURE FOR 10 SECONDS IN A WAVE SOLDER APPLICATION WITH A CIRCUIT BOARD.

④ MANUFACTURER'S NAME, P/N, AND DATE CODE TO APPEAR ON THIS SURFACE.

5. PRODUCT SPECIFICATION GS-12-149.
 APPLICATION SPECIFICATION BUS-20-067.

6. PACKAGED IN TRAYS.

PCB NOTES:

7. ALL HOLE DIAMETERS ARE FINISHED HOLE SIZE.

8. MOUNTING HOLES, WHERE APPLICABLE, ARE UNPLATED.

⑨ $\phi .0453 \pm .0010$ [1.151 ± 0.025] DRILLED HOLES PLATED WITH

.0003 [0.008] MIN SnPb OVER .001 [0.03]
 TO .003 [0.08] Cu PLATING TO ACHIEVE
 $\phi .040 \pm .003$ [1.02 ± .07] HOLE.

⑩ "DIM XXX" TO BE DETERMINED BY THE CUSTOMER.

⑪ CONNECTOR KEEP-OUT ZONE.

mat'l code		SEE NOTE 2		tolerances unless otherwise specified		CUSTOMER		FCI		www.fciconnect.com	
ltr	ecm no.	dr	date	linear	.XX ± .01 / 0.X ± 0.3	projection	COPY	title	IOP+16S	code	213
B				angles	.XXY ± .005 / 0.XY ± 0.13			VERTICAL SOLDER HEADER		sheet	4 of 4
				dr	STEVEN WANG 01/20/05		INCH/MM	product family	PwrBlade		
				eng	LH 01/20/05	scale	1:1	size	51952-051		
				chr	VICTOR LIN 01/20/05			dwg no			
				appd	JOSEPH HSIA 01/20/05						
sheet index	revision sheet										

Pro/E

cage code 22526