

Excellent Integrated System Limited

Stocking Distributor

Click to view price, real time Inventory, Delivery & Lifecycle Information:

[FCI](#)

[51952-069LF](#)

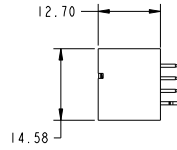
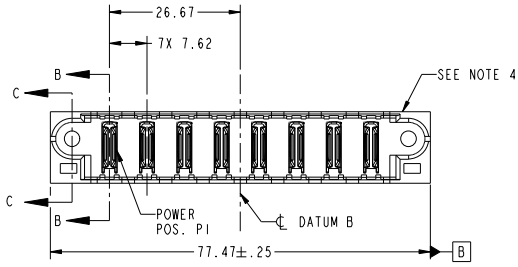
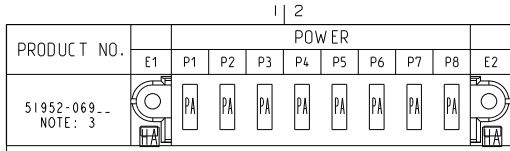
For any questions, you can email us directly:

sales@integrated-circuit.com

Tous droits strictement réservés. Reproduction ou communication à des tiers interdite sous quelque forme que ce soit sans autorisation écrite du propriétaire. Propriété de C.FCI. Droits de reproduction FCI.



All rights strictly reserved. Reproduction or issue to third parties in any form whatever is not permitted without written authority from the proprietor. Property of FCI. Copyright FCI.



CODE	DIM "M" MATING LENGTH	CONTACT TYPE
PA	[N/A]	POWER
HA	[N/A]	HOLD-DOWN

mat'l code				SEE NOTE		tolerances unless otherwise specified		CUSTOMER	
ltr	ecn no.	dr	date			0.X	±0.5	COPY	www.fciconnect.com
A	DG05-0225	GuoJM	07/15/05	linear		0.XX	±0.25	projection	title
B	DG05-0563	RYAN	12/26/05			0.XXX	±0.10	MM	8ACP VERTICAL SOLDER HEADER
C	DG07-0498	JW	09/12/08	angles		0°	±2°	scale	product family PwrBlade code
				dr	JM Gue	07/15/05		1:1	size
				enrg	SLU0	07/15/05			dwg no
				chr	VICTOR LIN	07/15/05			51952-069
				oppd	JOSEPH HSTA	07/15/05			213 sheet 1 of 4
sheet index	revision sheet	C 1	C 2	C 3	C 4				

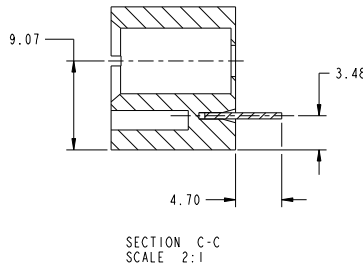
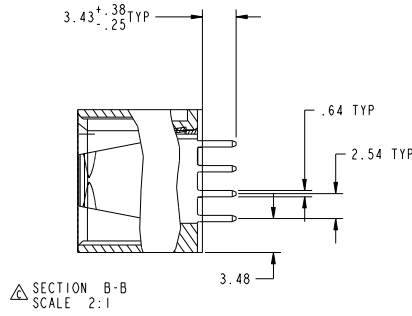
Pro/E		3		4	
		cage code 22526			

Tous droits strictement réservés. Reproduction ou communication à des tiers interdite sous quelque forme que ce soit sans autorisation écrite du propriétaire. Propriété de FCI. Droits de reproduction FCI.

All rights strictly reserved. Reproduction or issue to third parties in any form whatever is not permitted without written authority from the proprietor. Property of FCI. Copyright FCI.



PRODUCT NUMBER
51952-069...
NOTE: 3



mat'l code		SEE NOTE		tolerances unless otherwise specified		CUSTOMER	
ltr	ecm no.	dr	date	linear	0.X ±0.5	COPY	www.fciconnect.com
c					0.XX ±0.25	projection	title
				angles	0° ±2°		8ACP
				dr	JM Gee 07/15/05	MM	VERTICAL SOLDER HEADER
				enrg	SLUO 07/15/05	scale	product family
				chr	VICTOR LIN 07/15/05	1:1	PwrBlade
				oppd	JOSEPH HSTA 07/15/05		code
sheet index	revision sheet						size
							dwg no
							51952-069
							213
							sheet
							2

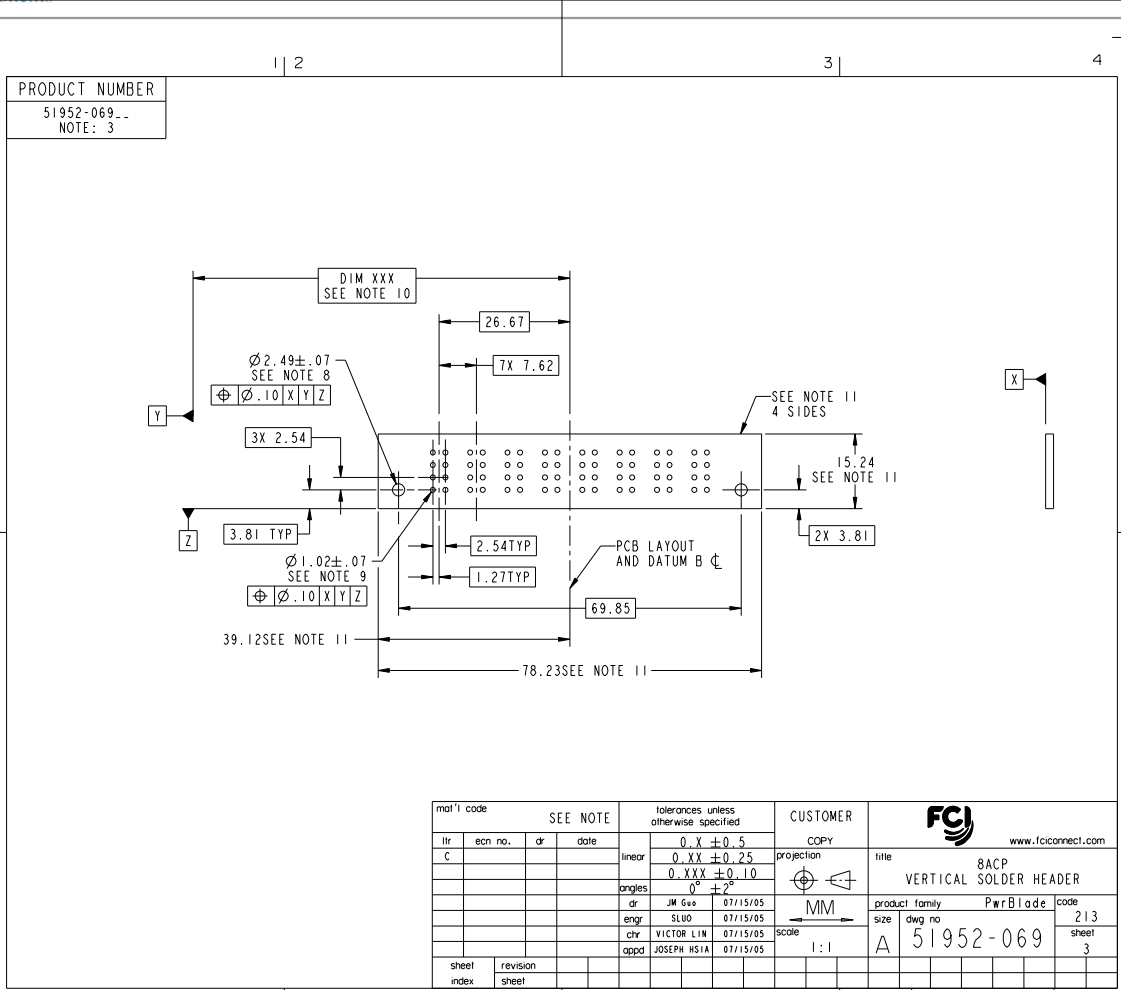
Pro/E

cage code 22526

Tous droits strictement réservés. Reproduction ou communication à des tiers interdite sous quelque forme que ce soit sans autorisation écrite du propriétaire. Propriété de FCI. Droits de reproduction FCI.



All rights strictly reserved. Reproduction or issue to third parties in any form whatever is not permitted without written authority from the proprietor. Property of FCI. Copyright FCI.



mat'l code		SEE NOTE		tolerances unless otherwise specified		CUSTOMER		FCI	
lfr	ecn no.	dr	date	linear	0 . X ± 0 . 5	COPY	www.fciconnect.com		
C				angles	0 . XX ± 0 . 25	projection		title	
				dr	0 . XXX ± 0 . 10	MM		8ACP	
				enr	0° ± 2°	scale		VERTICAL SOLDER HEADER	
				chr	JM Gee 07/15/05	1:1		product family	
				oppd	SLUO 07/15/05			PwrBlade	
					VICTOR LIN 07/15/05			size	code
					JOSEPH HSTA 07/15/05			dwg no	213
sheet index	revision sheet							51952-069	sheet 3
								cage code	4
								22526	

Pro/E

Tous droits strictement réservés. Reproduction ou communication à des tiers interdite sous quelque forme que ce soit sans autorisation écrite du propriétaire. Propriété de FCI. Droits de reproduction FCI.



All rights strictly reserved. Reproduction or issue to third parties in any form whatever is not permitted without written authority from the proprietor. Property of FCI. Copyright FCI.

PRODUCT NUMBER
51952-069...
NOTE: 3

NOTES:

1. DIMENSIONS AND TOLERANCES ARE IN ACCORDANCE WITH ASME Y14.5M, 1994 UNLESS OTHERWISE SPECIFIED.

CONNECTOR NOTES:

2 HOUSING MATERIAL: UL 94 V-0 GLASS FILLED
HIGH-TEMP THERMOPLASTIC
POWER CONTACT MATERIAL: COPPER ALLOY
SIGNAL PIN MATERIAL: COPPER ALLOY

3. PLATING:

SEE ITEM 1 & 2 IN PRINT 10064183 FOR PLATING SPEC OF 51952-069;51952-069LF RESPECTIVELY

4 MANUFACTURER'S NAME, P/N, AND DATE CODE TO APPEAR ON THIS SURFACE.

5. PRODUCT SPECIFICATION GS-12-149.
APPLICATION SPECIFICATION BUS-20-067.

6. PACKAGED IN TRAYS.

PCB NOTES:

7. ALL HOLE DIAMETERS ARE FINISHED HOLE SIZE.

8. MOUNTING HOLES, WHERE APPLICABLE, ARE UNPLATED.

9 $\varnothing 1.151 \pm 0.025$ DRILLED HOLES PLATED WITH
0.008 MIN SnPb OR Sn OVER 0.03
TO 0.08 Cu PLATING TO ACHIEVE
 $\varnothing 1.02 \pm .07$ HOLE.

10 "DIM XXX" TO BE DETERMINED BY THE CUSTOMER.

11 CONNECTOR KEEP-OUT ZONE.

12. A Δ SYMBOL WILL BE NEXT TO ANY DIMENSION, VIEW, OR NOTE WHICH HAS BEEN MODIFIED WITH THE CURRENT DRAWING REVISION.

SEE NOTE				tolerances unless otherwise specified		CUSTOMER		FCI	
ltr	ecm no.	dr	date			COPY	projection	title	www.fciconnect.com
C				linear	0.X ± 0.5			8ACP	
					0.XX ± 0.25			VERTICAL SOLDER HEADER	
				angles	0° ± 2°				
				dr	JM Gee 07/15/05			product family	PwrBlade
				enrg	SLUO 07/15/05			size	213
				chr	VICTOR LIN 07/15/05			dwg no	4
				oppd	JOSEPH HSIA 07/15/05			51952-069	
sheet index	revision sheet					scale	1:1		
								cage code	22526

Pro/E