

Excellent Integrated System Limited

Stocking Distributor

Click to view price, real time Inventory, Delivery & Lifecycle Information:

[FCI](#)

[51952-093](#)

For any questions, you can email us directly:

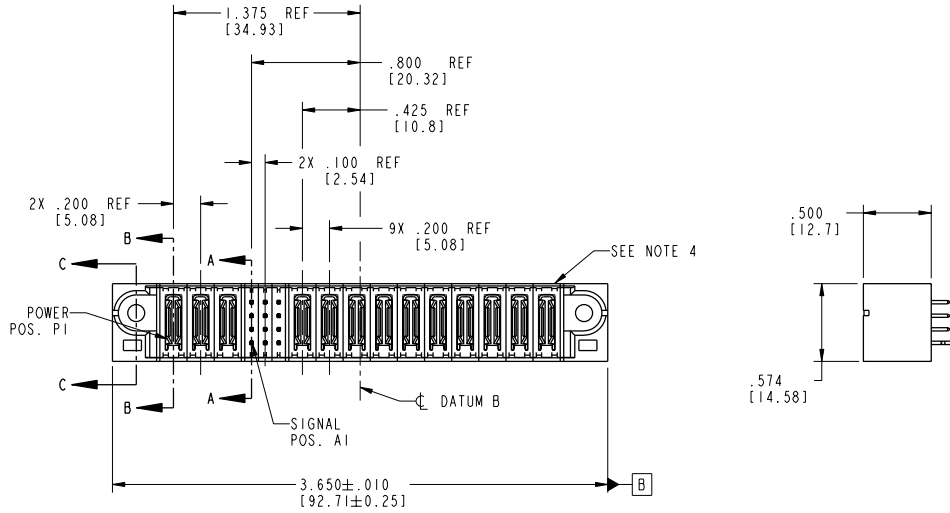
sales@integrated-circuit.com

Tous droits strictement réservés. Reproduction ou communication à des tiers interdite sans autorisation écrite du propriétaire. Propriété de c FCI. Droits de reproduction FCI.



All rights strictly reserved. Reproduction or issue to third parties in any form without written authority from the proprietor. Property of FCI. Copyright FCI.

PRODUCT NO.	ROWS	POWER			SIG	POWER													
		E1	P1	P2	P3	1	2	3	P4	P5	P6	P7	P8	P9	P10	P11	P12	P13	E2
51952-093 - NOTE 3	D C B A																		



CODE	DIM "M"	MATING LENGTH	CONTACT TYPE
PA	N/A	[N/A]	POWER
E	.270	[6.86]	SIGNAL
HA	N/A	[N/A]	HOLD-DOWN

mat'l code		SEE NOTE 2	tolerances unless otherwise specified		CUSTOMER	FCI	www.fciconnect.com
itr	ecn no.	dr	date	linear	COPY	projection	title
A	D606-0128	RYAN	03/24/06	$.XX \pm .01/0.X \pm 0.3$			3P + 12S + 10P
				$.XX \pm .005/0.X \pm 0.13$			VERTICAL STB HEADER
				$.XX \pm .002/0.X \pm 0.051$			product family
				angles			PwrBlade
				dr	RYAN YUAN	03/23/06	code
				eng	SALLY LUO	03/23/06	213
				chr	BEER FU	03/23/06	sheet
				appd	JOSEPH HSIA	03/23/06	1 of 4
sheet index	revision sheet	A	A	A	A	A	
		1	2	3	4		

Pro/E

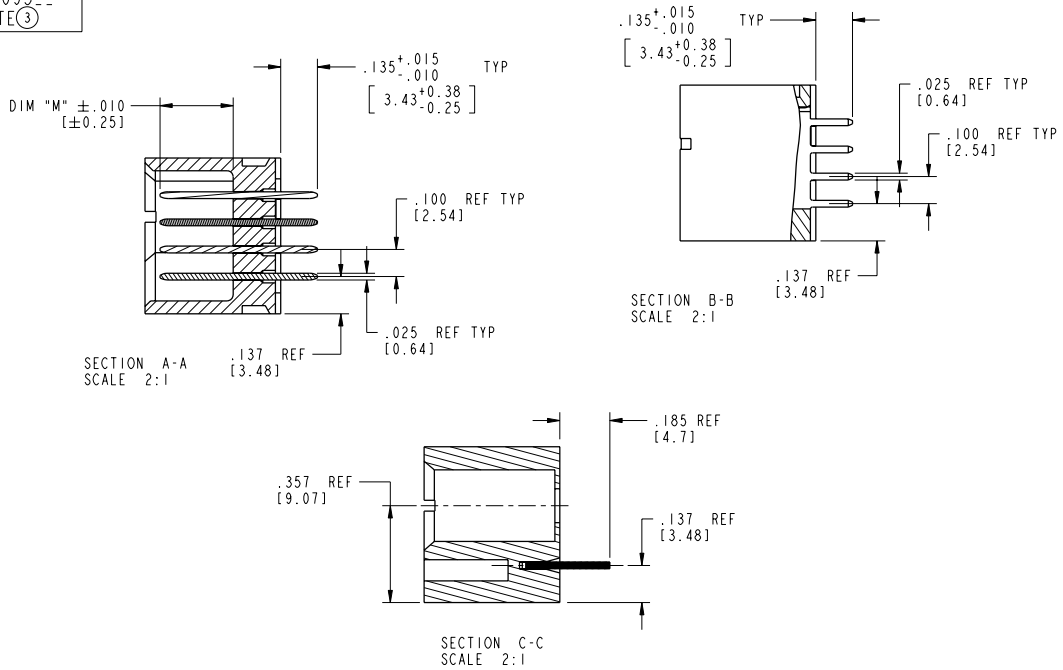
cage code 22526

Tous droits strictement réservés. Reproduction ou communication à des tiers interdite sous quelque forme que ce soit sans autorisation écrite du propriétaire. Propriété de c FCI. Droits de reproduction FCI.



All rights strictly reserved. Reproduction or issue to third parties in any form whatever is not permitted without written authority from the proprietor. Property of FCI. Copyright FCI.

PRODUCT NUMBER
51952-093
NOTE ③



mat'l code		SEE NOTE 2		tolerances unless otherwise specified		CUSTOMER		www.fciconnect.com	
thr	ecn no.	dr	date	linear	$.XX \pm .01 / 0.X \pm 0.3$ $.XX \pm .005 / 0.X \pm 0.13$ $.XX \pm .002 / 0.X \pm 0.051$	projection	COPY	title	3P + 12S + 10P
A				angles	$0^\circ \pm 7^\circ$			VERTICAL STB HEADER	
		dr	RYAN YUAN	03/23/06			product family	PwrBlade	code
		eng	SALLY LUO	03/23/06		scale	size	dwg no	213
		chr	BEER FU	03/23/06		1:1	A	51952-093	sheet
		appd	JOSEPH HSIA	03/23/06					2 of 4
sheet index	revision sheet								
								cage code	22526

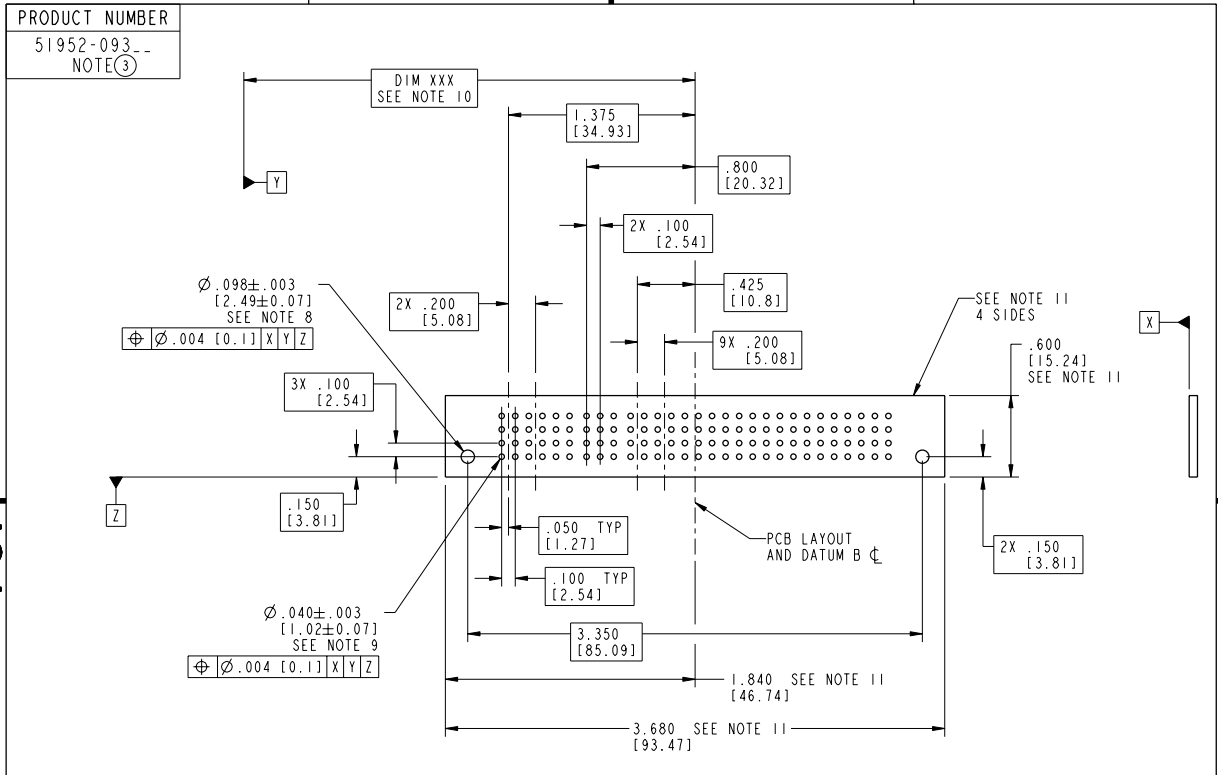
Pro/E

cage code 22526

Tous droits strictement réservés. Reproduction ou communication à des tiers interdite sous quelque forme que ce soit sans autorisation écrite du propriétaire. Propriété de c FCI. Droits de reproduction FCI.



All rights strictly reserved. Reproduction or issue to third parties in any form whatever is not permitted without written authority from the proprietor. Property of FCI. Copyright FCI.



mat'l code		SEE NOTE 2		tolerances unless otherwise specified		CUSTOMER		FCI www.fciconnect.com	
itr	ecm no.	dr	date	linear	.XX±.01/0.X±0.3	projection	COPY	title	3P + 12S + 10P
A				linear	.XX±.005/0.X±0.13	projection		VERTICAL STB HEADER	
				angles	.XX±.002/0.X±0.051	projection		product family	PwrBlade
		dr	RYAN YUAN	03/23/06		projection		size	213
		eng	SALLY LUO	03/23/06		projection		dwg no	3 of 4
		chr	BEER FU	03/23/06		projection		size	
		appd	JOSEPH HSIA	03/23/06		projection		scale	
sheet index	revision sheet								
								cage code	22526

Tous droits strictement réservés. Reproduction ou communication, en des tiers interdite sous quelque forme que ce soit sans autorisation écrite du propriétaire. Propriété de c FCI. Droits de reproduction FCI.



All rights strictly reserved. Reproduction or issue to third parties in any form whatever is not permitted without written authority from the proprietor. Property of FCI. Copyright FCI.

PRODUCT NUMBER
51952-093
NOTE(3)

NOTES:

1. DIMENSIONS AND TOLERANCES ARE IN ACCORDANCE WITH ASME Y14.5M, 1994 UNLESS OTHERWISE SPECIFIED.

CONNECTOR NOTES:

(2) HOUSING MATERIAL: UL 94 V-0 GLASS FILLED HIGH-TEMP THERMOPLASTIC
 POWER CONTACT MATERIAL: COPPER ALLOY
 SIGNAL PIN MATERIAL: COPPER ALLOY

(3) PLATING:
 SEE PRINT 10064183 FOR PLATING SPEC OF 51952-093; 51952-093LF

(4) MANUFACTURER'S NAME, P/N, AND DATE CODE TO APPEAR ON THIS SURFACE.

5. PRODUCT SPECIFICATION GS-12-149.
 APPLICATION SPECIFICATION BUS-20-067.

6. PACKAGED IN TRAYS.

PCB NOTES:

7. ALL HOLE DIAMETERS ARE FINISHED HOLE SIZE.

(9) MOUNTING HOLES, WHERE APPLICABLE, ARE UNPLATED.

(8) $\varnothing .0453 \pm .0010$ [1.151 \pm 0.025] DRILLED HOLES PLATED WITH
 .0003 [0.008] MIN SnPb OVER .001 [0.03]
 TO .003 [0.08] Cu PLATING TO ACHIEVE
 $\varnothing .040 \pm .003$ [1.02 \pm .07] HOLE.

(10) "DIM XXX" TO BE DETERMINED BY THE CUSTOMER.

(11) CONNECTOR KEEP-OUT ZONE.

mat'l code		SEE NOTE 2		tolerances unless otherwise specified		CUSTOMER		www.fciconnect.com	
itr	ecm no.	dr	date	linear	projection	COPY		title	
A				$.XX \pm .01 / 0.X \pm 0.3$	$.XX \pm .005 / 0.X \pm 0.13$	INCH/MM		3P + 12S + 10P	
				angles	$.XX \pm .0020 / 0.X \pm 0.051$	scale		VERTICAL STB HEADER	
				dr	$0^\circ \pm 7^\circ$	1:1		PwrBlade	
				eng	RYAN YUAN 03/23/06	A		code	
				chr	SALLY LUO 03/23/06	51952-093		213	
				appd	BEER FU 03/23/06			sheet	
					JOSEPH HSIA 03/23/06			4 of 4	
sheet index	revision sheet								

Pro/E

cage code 22526