

Excellent Integrated System Limited

Stocking Distributor

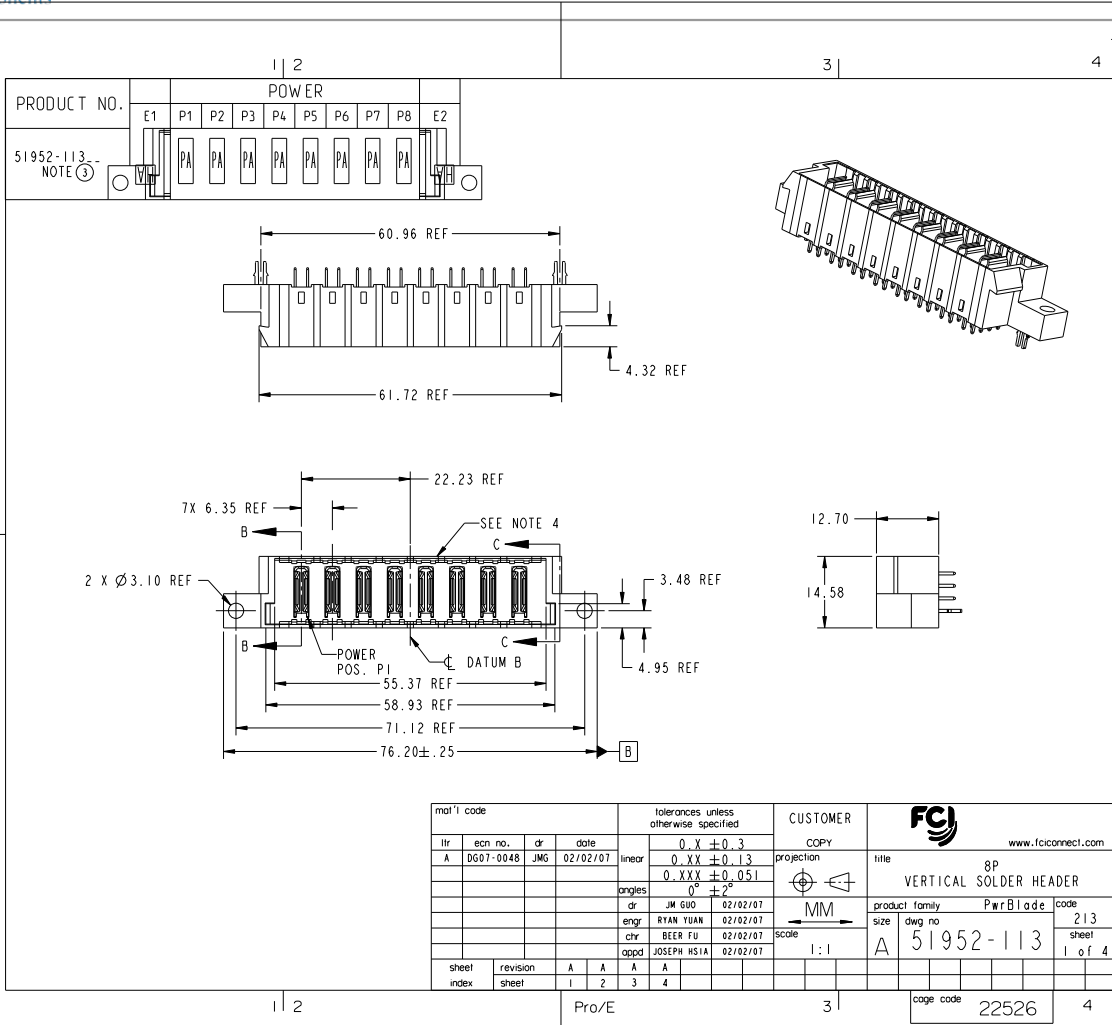
Click to view price, real time Inventory, Delivery & Lifecycle Information:

[FCI](#)
[51952-113](#)

For any questions, you can email us directly:
sales@integrated-circuit.com

Tous droits strictement réservés. Reproduction ou communication à des tiers interdite sous quelque forme que ce soit sans autorisation écrite du propriétaire. Propriété de FCI. Droits de reproduction FCI.

All rights strictly reserved. Reproduction or issue to third parties in any form whatever is not permitted without written authority from the proprietor. Property of FCI. Copyright FCI.



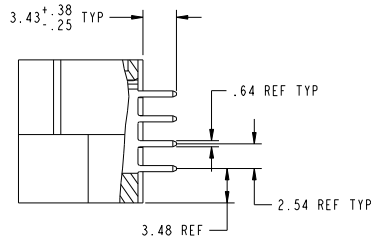
mat'l code				tolerances unless otherwise specified		CUSTOMER	
ltr	ecm no.	dr	date	linear	0.X ± 0.3	COPY	www.fciconnect.com
A	DG07-0048	JMG	02/02/07		0.XX ± 0.13	projection	title
				angles	0.XXX ± 0.051	MM	8P VERTICAL SOLDER HEADER
				dr	0° ± 2°	scale	product family
				enr	JM GUO 02/02/07	1:1	PwrBlade
				chr	RYAN YUAN 02/02/07		size
				oppd	BEER FU 02/02/07		dwg no
					JOSEPH HSIA 02/02/07		51952-113
sheet index	revision sheet	A	A	A	A		code
		1	2	3	4		213 sheet 1 of 4
							cage code
							22526

Tous droits strictement réservés. Reproduction ou communication à des tiers interdite sous quelque forme que ce soit sans autorisation écrite du propriétaire. Propriété de FCI. Droits de reproduction FCI.

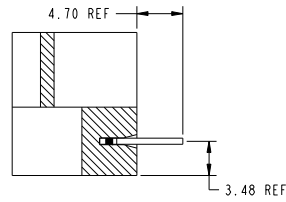
All rights strictly reserved. Reproduction or issue to third parties in any form whatever is not permitted without written authority from the proprietor. Property of FCI. Copyright FCI.



PRODUCT NUMBER
51952-113...
NOTE 3



SECTION B-B
SCALE 2:1



SECTION C-C
SCALE 2:1

mat'l code				tolerances unless otherwise specified		CUSTOMER		FCI	
ltr	ecm no.	dr	date	linear	0.X ± 0.3	COPY		www.fciconnect.com	
A					0.XX ± 0.13	projection	title		
				angles	0.XXX ± 0.051			8P	
				dr	0° ± 2°			VERTICAL SOLDER HEADER	
				enr	JM GUO 02/02/07	scale	product family	PwrBlade	code
				chr	RYAN YUAN 02/02/07	1:1	size	dwg no	213
				oppd	BEER FU 02/02/07		A	51952-113	sheet
sheet index	revision sheet				JOSEPH HSIA 02/02/07				2 of 4

Pro/E

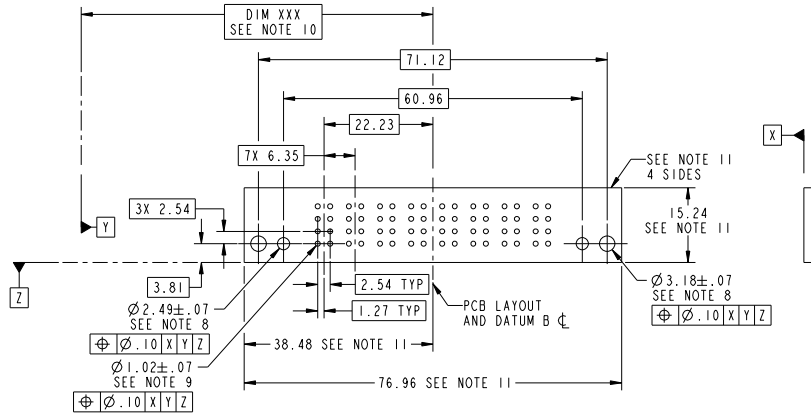
cage code 22526

Tous droits strictement réservés. Reproduction ou communication à des tiers interdite sous quelque forme que ce soit sans autorisation écrite du propriétaire. Propriété de FCI. Droits de reproduction FCI.



All rights strictly reserved. Reproduction or issue to third parties in any form whatever is not permitted without written authority from the proprietor. Property of FCI. Copyright FCI.

PRODUCT NUMBER
51952-113...
NOTE 3



mat'l code				tolerances unless otherwise specified		CUSTOMER		FCI	
ltr	ecn no.	dr	date	linear	0.X ±0.3	COPY	www.fciconnect.com		
A				angles	0.XX ±0.13	projection	8P	VERTICAL SOLDER HEADER	
				dr	0.XXX ±0.051	MM	product family	PwrBlade	code
				enr	JM GUO 02/02/07	scale	size	dwg no	213
				chr	RYAN YUAN 02/02/07	1:1	A	51952-113	sheet
				oppd	BEER FU 02/02/07				3 of 4
sheet index	revision sheet			oppd	JOSEPH HSIA 02/02/07				
								cage code	22526

Tous droits strictement réservés. Reproduction ou communication à des tiers interdite sous quelque forme que ce soit sans autorisation écrite du propriétaire. Propriété de FCI. Droits de reproduction FCI.

All rights strictly reserved. Reproduction or issue to third parties in any form whatever is not permitted without written authority from the proprietor. Property of FCI. Copyright FCI.

PRODUCT NUMBER
51952-113...
NOTE 3

NOTES:

1. DIMENSIONS AND TOLERANCES ARE IN ACCORDANCE WITH ASME Y14.5M, 1994 UNLESS OTHERWISE SPECIFIED.

CONNECTOR NOTES:

- ② HOUSING MATERIAL: UL 94 V-0 GLASS FILLED HIGH-TEMP THERMOPLASTIC
POWER CONTACT MATERIAL: COPPER ALLOY
SIGNAL PIN MATERIAL: COPPER ALLOY
- 3. PLATING:
51952-113 ,51952-113LF PLATING SPEC. WAS SHOWN IN THE PRINT OF 10064183.

④ MANUFACTURER'S NAME, P/N, AND DATE CODE TO APPEAR ON THIS SURFACE.

5. PRODUCT SPECIFICATION GS-12-149.
APPLICATION SPECIFICATION BUS-20-067.

6. PACKAGED IN TRAYS.

PCB NOTES:

- 7. ALL HOLE DIAMETERS ARE FINISHED HOLE SIZE.
- 8. MOUNTING HOLES, WHERE APPLICABLE, ARE UNPLATED.

⑨ $\varnothing 1.151 \pm 0.025$ DRILLED HOLES PLATED WITH 0.008 MIN SnPb OR Sn OVER .001 (.03) TO 0.08 Cu PLATING TO ACHIEVE $\varnothing 1.02 \pm .07$ HOLE.

⑩ "DIM XXX" TO BE DETERMINED BY THE CUSTOMER.

⑪ CONNECTOR KEEP-OUT ZONE.

mat'l code				tolerances unless otherwise specified		CUSTOMER		FCI	
ltr	ecm no.	dr	date			COPY		www.fciconnect.com	
A				linear	0.X ± 0.3	projection		title	
					0.XX ± 0.13			8P	
				angles	0.XXX ± 0.051			VERTICAL SOLDER HEADER	
				dr	0° ± 2°			product family	PwrBlade
				engr	JM GUO 02/02/07	scale	1:1	size	dwg no
				chr	RYAN YUAN 02/02/07			A	51952-113
				opd	BEER FU 02/02/07				code
					JOSEPH HSIA 02/02/07				213
sheet index	revision sheet								4 of 4

Pro/E

cage code 22526