

## Excellent Integrated System Limited

Stocking Distributor

Click to view price, real time Inventory, Delivery & Lifecycle Information:

[FCI](#)

[51952-120LF](#)

For any questions, you can email us directly:

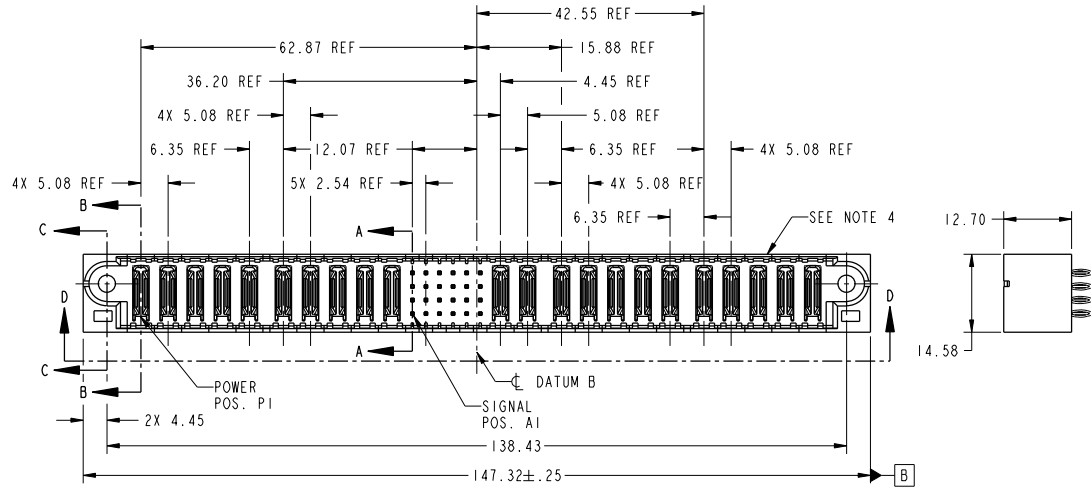
[sales@integrated-circuit.com](mailto:sales@integrated-circuit.com)

Tous droits strictement réservés. Reproduction ou communication a des tiers interdite sous quelque forme que ce soit sans autorisation écrite du propriétaire. Propriété de c FCI. Droits de reproduction FCI.



All rights strictly reserved. Reproduction or issue to third parties in any form whatever is not permitted without written authority from the proprietor. Property of FCI. Copyright FCI.

PRODUCT NO.	ROWS	POWER										SIGNAL						POWER						E2						
		E1	P1	P2	P3	P4	P5	P6	P7	P8	P9	P10	1	2	3	4	5	6	P11	P12	P13	P14	P15		P16	P17	P18	P19	P20	P21
51952-120- NOTE ③	D C B A																													



CODE	DIM "M" MATING LENGTH	CONTACT TYPE
PC	N/A	POWER
G	6.86	SIGNAL
K	5.59	SIGNAL

mat'l code				tolerances unless otherwise specified				CUSTOMER		www.fciconnect.com	
ltr	ecn no.	dr	date	linear	0.X ±0.3	COPY		projection		title	
A	D607-0221	JC	06/12/07	linear	0.XX ±0.13	MM		MM		10P + 24S + 12P VERTICAL PRESSFIT HEADER	
B	D607-0289	JC	07/16/07	angles	0.XXX ±0.051	scale		1:1		product family PwrBlade code 213	
C	D607-0328	JC	08/20/07	dr	Jerome Chen 06/12/07	size		A		dwg no 51952-120 sheet 1 of 4	
D	D607-0494	JULIA	09/10/07	engr	Jerome Chen 06/12/07	sheet index		1 2 3 4		cage code 22526	
				chr	Gary Hsieh 06/12/07						
				appd	Joseph Hsia 06/12/07						

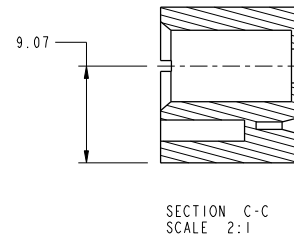
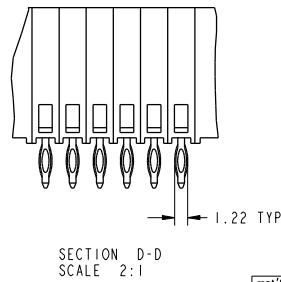
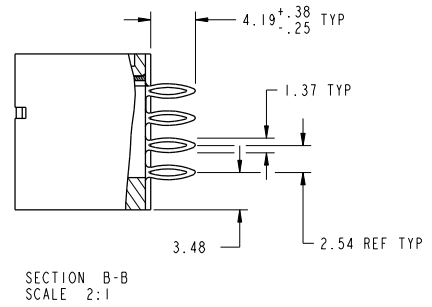
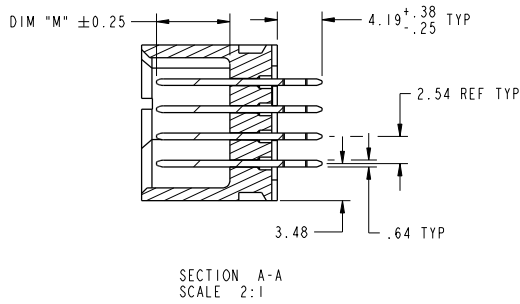
Pro/E

Tous droits strictement réservés. Reproduction ou communication o des tiers interdite sous quelque forme que ce soit sans autorisation écrite du propriétaire. Propriété de c FCI. Droits de reproduction FCI.



All rights strictly reserved. Reproduction or issue to third parties in any form whatever is not permitted without written authority from the proprietor. Property of FCI. Copyright FCI.

PRODUCT NUMBER  
51952-120..  
NOTE 3



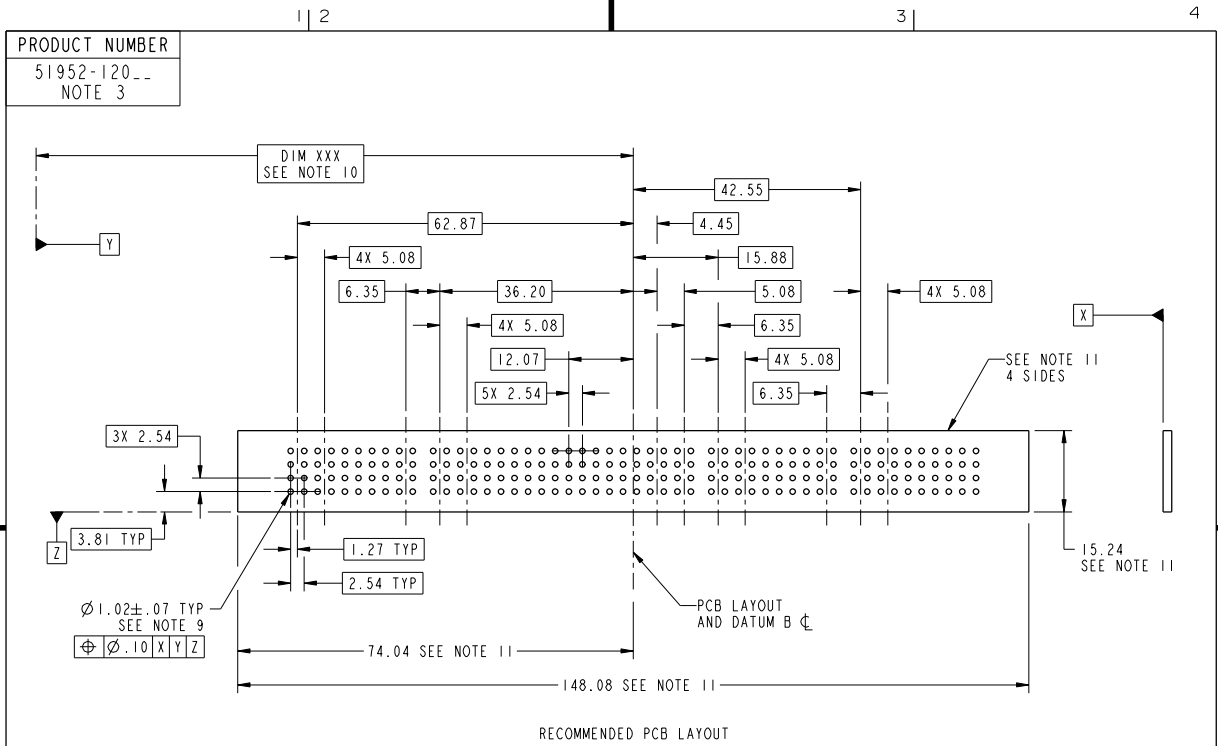
mat'l code				tolerances unless otherwise specified		CUSTOMER		FCI	
ltr	ecn no.	dr	date	linear	0.X ±0.3	COPY	www.fciconnect.com		
					0.XX ±0.13	projection	title 10P + 24S + 12P VERTICAL PRESSFIT HEADER		
				angles	0.XXX ±0.051	 	product family	PwrBlade	code 213
				dr	Jerome Chen 06/12/07		size	51952-120	sheet 2 of 4
				eng	Jerome Chen 06/12/07	scale	A		
				chr	Gary Hsieh 06/12/07				
				appd	Joseph Hsia 06/12/07				
sheet index	revision sheet						cage code	22526	

Pro/E

Tous droits strictement réservés. Reproduction ou communication à des tiers interdite sous quelque forme que ce soit sans autorisation écrite du propriétaire. Propriété de FCI. Droits de reproduction FCI.



All rights strictly reserved. Reproduction or issue to third parties in any form whatever is not permitted without written authority from the proprietor. Property of FCI. Copyright FCI.



mat'l code				tolerances unless otherwise specified		CUSTOMER		FCI	
ltr	ecn no.	dr	date	linear	$0.X \pm 0.3$	COPY		www.fciconnect.com	
D					$0.XX \pm 0.13$	projection	title 10P + 24S + 12P VERTICAL PRESSFIT HEADER		
				angles	$0.XXX \pm 0.051$	$0^\circ \pm 2^\circ$	product family	PwrBlade	code 213
		dr	Jerome Chen	06/12/07		MM	size	51952-120	sheet 3 of 4
		eng	Jerome Chen	06/12/07		scale	1:1		
		chr	Gary Hsieh	06/12/07					
		appd	Joseph Hsia	06/12/07					
sheet index	revision sheet							cage code 22526	

Tous droits strictement réservés. Reproduction ou communication a des tiers interdite sous quelque forme que ce soit sans autorisation écrite du propriétaire. Propriété de c FCI. Droits de reproduction FCI.



All rights strictly reserved. Reproduction or issue to third parties in any form whatever is not permitted without written authority from the proprietor. Property of FCI. Copyright FCI.

<b>PRODUCT NUMBER</b>
51952-120.. NOTE 3

**NOTES:**

1. DIMENSIONS AND TOLERANCES ARE IN ACCORDANCE WITH ASME Y14.5M, 1994 UNLESS OTHERWISE SPECIFIED.

**CONNECTOR NOTES:**

- ② HOUSING MATERIAL: UL 94 V-0 GLASS FILLED HIGH-TEMP THERMOPLASTIC  
POWER CONTACT MATERIAL: COPPER ALLOY  
SIGNAL PIN MATERIAL: COPPER ALLOY
- 3. PLATING:  
51952-120 ,51952-120LF PLATING SPEC. WAS SHOWN IN THE PRINT OF 10064183.

④ MANUFACTURER'S NAME, P/N, AND DATE CODE TO APPEAR ON THIS SURFACE.

5. PRODUCT SPECIFICATION GS-12-149,  
APPLICATION SPECIFICATION BUS-20-067.

6. PACKAGED IN TRAYS.

**PCB NOTES:**

- 7. ALL HOLE DIAMETERS ARE FINISHED HOLE SIZE.
- 8. MOUNTING HOLES, WHERE APPLICABLE, ARE UNPLATED.

⑨  $\varnothing 1.151 \pm 0.025$  DRILLED HOLES PLATED WITH  
0.008 MIN SnPb OR Sn OVER .001 [0.03]  
TO 0.08 Cu PLATING TO ACHIEVE  
 $\varnothing 1.02 \pm .07$  HOLE.

⑩ "DIM XXX" TO BE DETERMINED BY THE CUSTOMER.

⑪ CONNECTOR KEEP-OUT ZONE.

mat'l code				tolerances unless otherwise specified		CUSTOMER		www.fciconnect.com	
ltr	ecn no.	dr	date	linear	0.X ± 0.3	COPY		title	
D				linear	0.XX ± 0.13	projection		10P + 24S + 12P VERTICAL PRESSFIT HEADER	
				angles	0.XXX ± 0.051			product family	
				dr	0° ± 2°	MM		PwrBlade	
				eng	Jerome Chen 06/12/07	scale		code	
				eng	Jerome Chen 06/12/07	1:1		213	
				chr	Gary Hsieh 06/12/07	A		sheet	
				appd	Joseph Hsia 06/12/07			4 of 4	
sheet index	revision sheet								

Pro/E

code 22526