

Excellent Integrated System Limited

Stocking Distributor

Click to view price, real time Inventory, Delivery & Lifecycle Information:

[FCI](#)

[51952-127LF](#)

For any questions, you can email us directly:

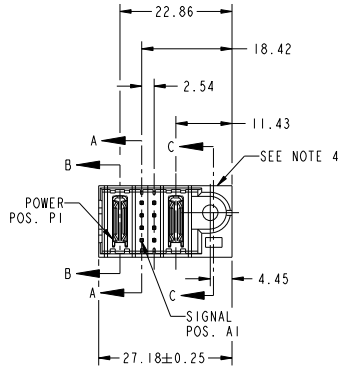
sales@integrated-circuit.com

Tous droits strictement réservés. Reproduction ou communication à des tiers interdite sous quelque forme que ce soit sans autorisation écrite du propriétaire. Propriété de FCI. Droits de reproduction FCI.



All rights strictly reserved. Reproduction or issue to third parties in any form whatever is not permitted without written authority from the proprietor. Property of FCI. Copyright FCI.

PRODUCT NO.	ROWS	POWER SIGNAL POWER				
		E1	P1	1 2	P2	E2
51952-127-- NOTE ③	D C B A	PA	PA	PA	PA	PA



CODE	DIM "M" MATING LENGTH	CONTACT TYPE
PA	[N/A]	POWER
E	[6.86]	SIGNAL
HA	[N/A]	HOLD-DOWN

mat'l code				tolerances unless otherwise specified		CUSTOMER		FCI	
lfr	ecp no.	dr	date	linear	0.X ±0.3	COPY	www.fciconnect.com		
A	DG07-0469	JC	11/27/07	angles	0.XX ±0.13	projection		title	
				dr	0.XXX ±0.051	MM		IP + 8S + IP	
				engr	0° ±2°	scale		VERTICAL SOLDER HEADER	
				chr		1:1		product family	
				oppd				PwrBlade	
sheet index	revision sheet	A 1	A 2	A 3	A 4			size	code
								dwg no	213
								51952-127	sheet
									1 of 4
								cage code	4
								22526	

Pro/E

PDM: Rev:A

STATUS: Released

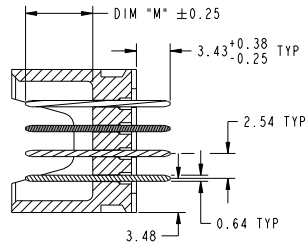
Printed: Dec 20, 2010

Tous droits strictement réservés. Reproduction ou communication à des tiers interdite sous quelque forme que ce soit sans autorisation écrite du propriétaire. Propriété de FCI. Droits de reproduction FCI.

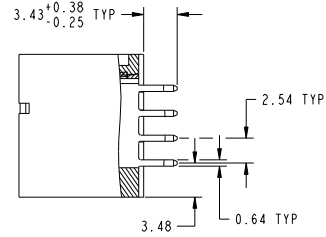
All rights strictly reserved. Reproduction or issue to third parties in any form whatever is not permitted without written authority from the proprietor. Property of FCI. Copyright FCI.



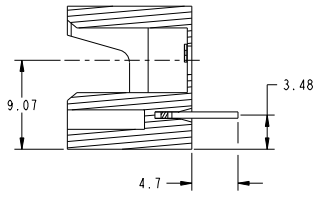
PRODUCT NUMBER
51952-127...
NOTE 3



SECTION A-A
SCALE 2:1



SECTION B-B
SCALE 2:1



SECTION C-C
SCALE 2:1

mat'l code				tolerances unless otherwise specified				CUSTOMER		FCI	
ltr	ecm no.	dr	date	linear	0.X ±0.3	projection	COPY	www.fciconnect.com			
A					0.XX ±0.13		title	IP + 8S + IP			
				angles	0.XXX ±0.051		VERTICAL SOLDER HEADER				
				dr	0° ±2°	scale	product family	PwrBlade	code		
				enr	Jerome Chen 11/20/07	1:1	size	dwg no	213		
				chr	Jerome Chen 11/20/07		A	51952-127	sheet	2 of 4	
				oppd	Gary Hsieh 11/20/07						
					Joseph Hsiao 11/20/07						
sheet index	revision sheet									cage code	22526

Pro/E

PDM: Rev:A

STATUS: Released

Printed: Dec 20, 2010

Tous droits strictement réservés. Reproduction ou communication à des tiers interdite sous quelque forme que ce soit sans autorisation écrite du propriétaire. Propriété de FCI. Droits de reproduction FCI.

All rights strictly reserved. Reproduction or issue to third parties in any form whatever is not permitted without written authority from the proprietor. Property of FCI. Copyright FCI.

PRODUCT NUMBER
51952-127-
NOTE 3

NOTES:

1. DIMENSIONS AND TOLERANCES ARE IN ACCORDANCE WITH ASME Y14.5M, 1994 UNLESS OTHERWISE SPECIFIED.

CONNECTOR NOTES:

- ② HOUSING MATERIAL: UL 94 V-0 GLASS FILLED HIGH-TEMP THERMOPLASTIC
POWER CONTACT MATERIAL: COPPER ALLOY
SIGNAL PIN MATERIAL: COPPER ALLOY
 - 3. PLATING:
51952-127, 51952-127LF PLATING SPEC. WAS SHOWN IN THE PRINT OF 10064183.
 - ④ MANUFACTURER'S NAME, P/N, AND DATE CODE TO APPEAR ON THIS SURFACE.
 - 5. PRODUCT SPECIFICATION GS-12-149.
APPLICATION SPECIFICATION BUS-20-067.
 - 6. PACKAGED IN TRAYS.
- PCB NOTES:**
- 7. ALL HOLE DIAMETERS ARE FINISHED HOLE SIZE.
 - 8. MOUNTING HOLES, WHERE APPLICABLE, ARE UNPLATED.
 - ⑨ $\varnothing 1.151 \pm 0.025$ DRILLED HOLES PLATED WITH 0.008 MIN SnPb OR Sn OVER 0.03 TO 0.08 Cu PLATING TO ACHIEVE $\varnothing 1.02 \pm .07$ HOLE.
 - ⑩ "DIM XXX" TO BE DETERMINED BY THE CUSTOMER.
 - ⑪ CONNECTOR KEEP-OUT ZONE.

mat'l code				tolerances unless otherwise specified		CUSTOMER		FCI	
ltr	ecm no.	dr	date	linear	0.X ± 0.3	COPY		www.fciconnect.com	
A					0.XX ± 0.13	projection	title		
				angles	0.XXX ± 0.051		IP + 8S + IP VERTICAL SOLDER HEADER		
				dr	0° ± 2°		product family	PwrBlade	code
				enr	Jerome Chen 11/20/07	scale	size	dwg no	213
				chr	Jerome Chen 11/20/07	1:1	A	51952-127	sheet
				oppd	Gary Hsieh 11/20/07				4 of 4
					Joseph Hsiao 11/20/07				
sheet index	revision sheet								

cage code 22526