

Excellent Integrated System Limited

Stocking Distributor

Click to view price, real time Inventory, Delivery & Lifecycle Information:

[FCI](#)
[51952-170LF](#)

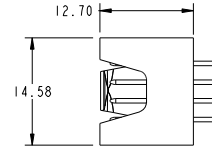
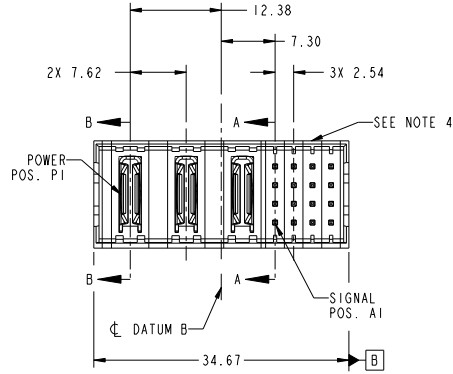
For any questions, you can email us directly:
sales@integrated-circuit.com

Tous droits strictement réservés. Reproduction ou communication à des tiers interdite sous quelque forme que ce soit sans autorisation écrite du propriétaire. Propriété de FCI. Droits de reproduction FCI.

All rights strictly reserved. Reproduction or issue to third parties in any form whatever is not permitted without written authority from the proprietor. Property of FCI. Copyright FCI.



PRODUCT NO.	ROWS	POWER			SIGNAL			
		P1	P2	P3	1	2	3	4
51952-170-- NOTE ③	D C B A	PA	PA	PA	1	2	3	4



CODE	DIM "M" MATING LENGTH	CONTACT TYPE
PA	[N/A]	POWER
E	[6.86]	SIGNAL

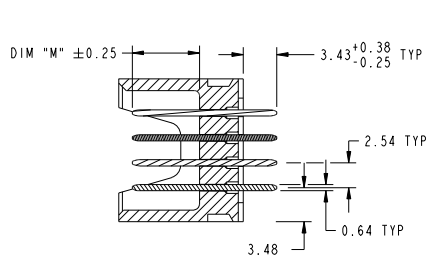
mat'l code				tolerances unless otherwise specified		CUSTOMER		FCI	
lfr	ecm no.	dr	date	0.X	+0.5	COPY		www.fciconnect.com	
A	DG10-0169	WD	05/10/10	0.XX	+0.25	projection	title		
				0.XXX	+0.1	MM		3ACP + 16S	
				angles	0° ± 2°	scale		VERTICAL SOLDER HEADER	
				dr	Warren Du 04/14/10	product family		PwrBlade	
				enrg	Warren Du 04/14/10	size		dwg no	
				chr	PM ZHENG 04/14/10	A		51952-170	
				oppd	JOSEPH HSIA 04/14/10	1:1		213	
sheet index	revision sheet	A	A	A	A	cage code		22526	
1	2	3	4					1 of 4	

Tous droits strictement réservés. Reproduction ou communication à des tiers interdite sous quelque forme que ce soit sans autorisation écrite du propriétaire. Propriété de FCI. Droits de reproduction FCI.

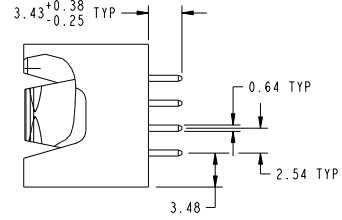
All rights strictly reserved. Reproduction or issue to third parties in any form whatever is not permitted without written authority from the proprietor. Property of FCI. Copyright FCI.



PRODUCT NUMBER
51952-170...
NOTE 3



SECTION A-A
SCALE 2:1



SECTION B-B
SCALE 2:1

mat'l code				tolerances unless otherwise specified		CUSTOMER		FCI	
ltr	ecm no.	dr	date	linear	0.X ±0.5	COPY		www.fciconnect.com	
A					0.XX ±0.25	projection	title		
				angles	0.XXX ±0.1		3ACP + 16S		
				dr	0° ±2°		VERTICAL SOLDER HEADER		
				enr	Warren Du 04/14/10	scale	product family	PwrBlade	code
				chr	PM ZHENG 04/14/10	1:1	size	dwg no	213
				oppd	JOSEPH HSIA 04/14/10		A	51952-170	sheet
sheet index	revision sheet								2 of 4

Pro/E

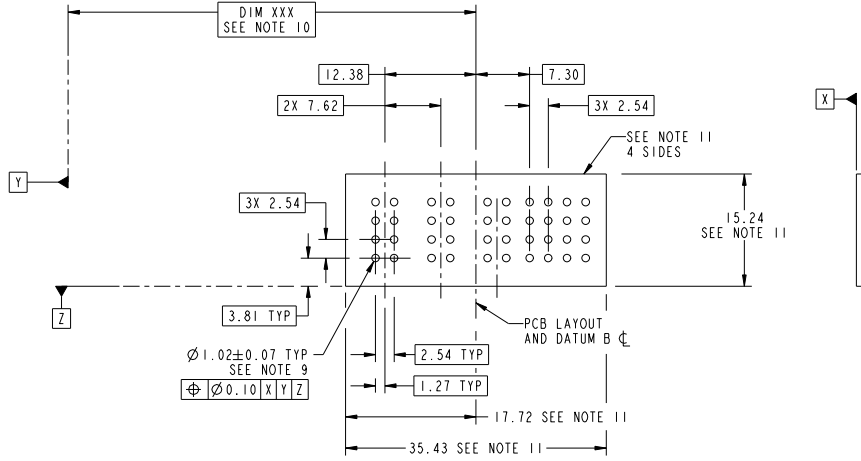
cage code 22526

Tous droits strictement réservés. Reproduction ou communication à des tiers interdite sous quelque forme que ce soit sans autorisation écrite du propriétaire. Propriété de FCI. Droits de reproduction FCI.

All rights strictly reserved. Reproduction or issue to third parties in any form whatever is not permitted without written authority from the proprietor. Property of FCI. Copyright FCI.



PRODUCT NUMBER
51952-170...
NOTE 3



RECOMMENDED PCB LAYOUT

mat'l code				tolerances unless otherwise specified		CUSTOMER	
lfr	ecm no.	dr	date	linear	0.X ±0.5	COPY	www.fciconnect.com
A				linear	0.XX ±0.25	projection	
				angles	0.XXX ±0.1		title
				dr	0° ±2°	MM	3ACP + 16S
				enr	Warren Du 04/14/10	scale	VERTICAL SOLDER HEADER
				chr	Warren Du 04/14/10	1:1	product family
				oppd	PM ZHENG 04/14/10	A	PwrBlade
					JOSEPH HSIA 04/14/10		code
sheet index	revision sheet						size
							dwg no
							51952-170
							213 sheet
							3 of 4

Pro/E

cage code 22526

Tous droits strictement réservés. Reproduction ou communication à des tiers interdite sous quelque forme que ce soit sans autorisation écrite du propriétaire. Propriété de FCI. Droits de reproduction FCI.

All rights strictly reserved. Reproduction or issue to third parties in any form whatever is not permitted without written authority from the proprietor. Property of FCI. Copyright FCI.

PRODUCT NUMBER

51952-170-
NOTE 3

NOTES:

1. DIMENSIONS AND TOLERANCES ARE IN ACCORDANCE WITH ASME Y14.5M, 1994 UNLESS OTHERWISE SPECIFIED.

CONNECTOR NOTES:

- ② HOUSING MATERIAL: UL 94 V-0 GLASS FILLED HIGH-TEMP THERMOPLASTIC
POWER CONTACT MATERIAL: COPPER ALLOY
SIGNAL PIN MATERIAL: COPPER ALLOY
 - 3. SEE ITEM 1 & 2 IN PRINT 10064183 FOR PLATING SPEC OF 51952-170 AND 51952-170LF RESPECTIVELY.
 - ④ MANUFACTURER'S NAME, DATE CODE AND OPTIONAL P/N TO APPEAR ON THIS SURFACE. THE P/N CAN BE OMITTED IF THERE IS NOT ENOUGH SPACE ON THIS SURFACE.
 - 5. PRODUCT SPECIFICATION GS-12-149.
APPLICATION SPECIFICATION BUS-20-067.
 - 6. PACKAGED IN TRAYS.
- PCB NOTES:**
- 7. ALL HOLE DIAMETERS ARE FINISHED HOLE SIZE.
 - 8. MOUNTING HOLES, WHERE APPLICABLE, ARE UNPLATED.
 - ⑨ $\varnothing 1.151 \pm 0.025$ DRILLED HOLES PLATED WITH 0.008 MIN SnPb OR Sn OVER .001 (0.03) TO 0.08 Cu PLATING TO ACHIEVE $\varnothing 1.02 \pm .07$ HOLE.
 - ⑩ "DIM XXX" TO BE DETERMINED BY THE CUSTOMER.
 - ⑪ CONNECTOR KEEP-OUT ZONE.

mat'l code				tolerances unless otherwise specified		CUSTOMER		FCI	
lfr	ecm no.	dr	date	linear	angular	projection	copy	title	www.fciconnect.com
A				0.X ± 0.5	0.XX ± 0.25	projection	COPY	3ACP + 16S	
				0.XXX ± 0.1	0° ± 2°			VERTICAL SOLDER HEADER	
				dr	Warren Du	MM		product family	PwrBlade
				engr	Warren Du	scale		size	code
				chr	PM ZHENG	1:1		dwg no	213
				oppd	JOSEPH HSIA			51952-170	sheet
sheet index	revision sheet								4 of 4

Pro/E

cage code 22526