

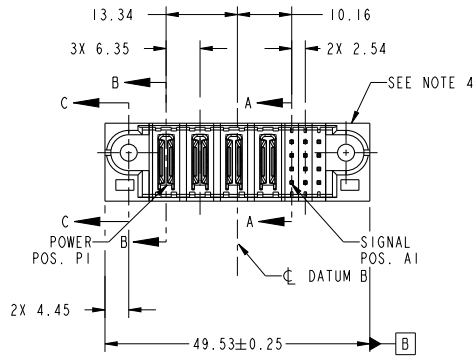
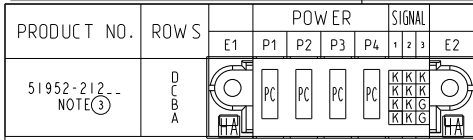
Excellent Integrated System Limited

Stocking Distributor

Click to view price, real time Inventory, Delivery & Lifecycle Information:

[FCI](#)
[51952-212LF](#)

For any questions, you can email us directly:
sales@integrated-circuit.com



| CODE | DIM "M" MATING LENGTH | CONTACT TYPE |
|------|-----------------------|--------------|
| PC | [N/A] | POWER |
| K | [5.59] | SIGNAL |
| HA | [N/A] | HOLD-DOWN |
| G | [6.86] | SIGNAL |

| | | | | | | | | | | | |
|---------------|---------------------------------------|-------------|--|-----------|------------|------------------------|----------|--------------|-----------|-----------|----------|
| spec ref | See Notes | | dr | Shi Guang | 2012/05/23 | projection | | size | A4 | scale | 1:1 |
| tolerance std | TOLERANCES UNLESS OTHERWISE SPECIFIED | | eng | Ruan MT | 2013/02/27 | product family | PwrBlade | ecn no | - | rel level | Released |
| See Notes | | | chr | - | - | | | dwg no | 51952-212 | rev | A |
| surface | linear | 0.X ±0.50 | 4P + 12S VERTICAL PRESS FIT HEADER www.fci.com | | | Product - Customer Drw | | sheet 1 of 4 | | | |
| | | 0.XX ±0.25 | | | | cat. no. | | | | | |
| | | 0.XXX ±0.10 | | | | | | | | | |
| | angular | 0° ±2° | | | | | | | | | |

Print File - REV C - 2009-08-09

1

2

3

PDS: Rev :A

STATUS:Released

Printed: Mar 04, 2013

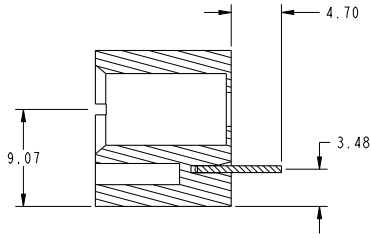
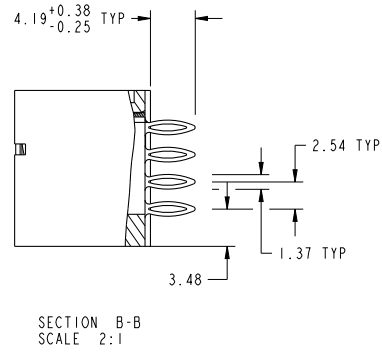
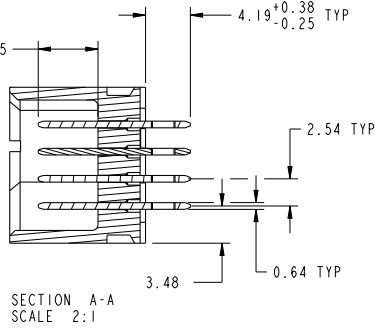


Copyright FCI.

PRODUCT NUMBER

51952-212--
NOTE 3

DIM "M" ±0.25



| | | | | | | | | | | |
|-------------|----------------|------------------------|----------------|--------------|-----------|-----------------|--------|-----------|-----|---|
| dr | Shi Guang | 2012/05/23 | projection | MM | size | A4 | scale | 1:1 | | |
| eng | Ruan MT | 2013/02/27 | | | ecn no | - | | | | |
| chr | - | - | product family | PwrBlade | rel level | Released | | | | |
| appr | Pei-Ming Zheng | 2013/02/27 | | | cat. no. | 4P + 12S | dwg no | 51952-212 | rev | A |
| www.fci.com | | Product - Customer Drw | | sheet 2 of 4 | | | | | | |

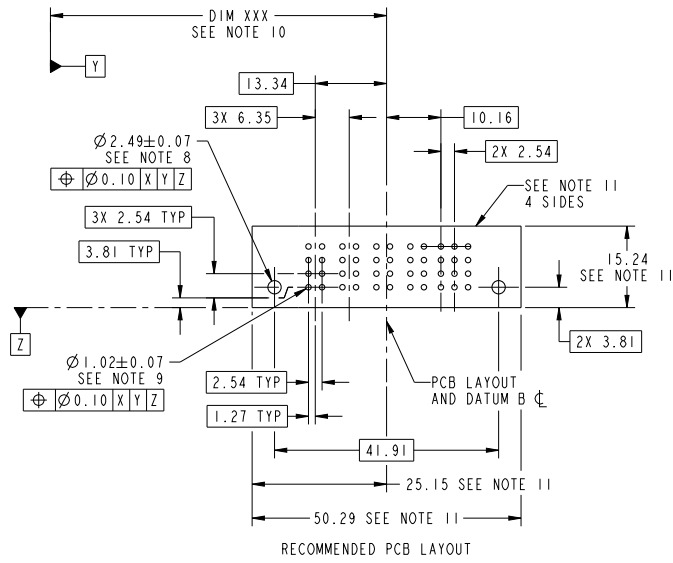
Print File : REV C - 2009-06-09



Copyright FCI.

PRODUCT NUMBER

51952-212--
NOTE 3



RECOMMENDED PCB LAYOUT

| | | | | | | | | |
|------|----------------|------------|----------------|----------|-----------|---------------------------|--------------|------------------------|
| dr | Shi Guang | 2012/05/23 | projection | MM | size | A4 | scale | 1:1 |
| eng | Ruan MT | 2013/02/27 | | | ecn no | - | | |
| chr | - | - | product family | PwrBlade | rel level | Released | | |
| appr | Pei-Ming Zheng | 2013/02/27 | www.fci.com | | 4P + 12S | VERTICAL PRESS FIT HEADER | cat. no. | Product - Customer Drw |
| | | | | | dwg no | 51952-212 | | rev |
| | | | | | | | A | |
| | | | | | | | sheet 3 of 4 | |

Print File - REV C - 2009-06-09

PDS: Rev :A

STATUS:Released

Printed: Mar 04, 2013

PRODUCT NUMBER
51952-212..
NOTE 3

NOTES:

1. DIMENSIONS AND TOLERANCES ARE IN ACCORDANCE WITH ASME Y14.5M, 1994 UNLESS OTHERWISE SPECIFIED.

CONNECTOR NOTES:

- ② HOUSING MATERIAL: UL 94 V-0 GLASS FILLED HIGH-TEMP THERMOPLASTIC
POWER CONTACT MATERIAL: COPPER ALLOY
SIGNAL PIN MATERIAL: COPPER ALLOY
 - 3. SEE ITEM 3 & 4 IN PRINT 10064183 FOR PLATING SPEC OF 51952-212 AND 51952-212LF RESPECTIVELY.
 - ④ MANUFACTURER'S NAME, DATE CODE AND OPTIONAL P/N TO APPEAR ON THIS SURFACE. THE P/N CAN BE OMITTED IF THERE IS NOT ENOUGH SPACE ON THIS SURFACE.
 - 5. PRODUCT SPECIFICATION GS-12-149.
APPLICATION SPECIFICATION BUS-20-067.
 - 6. PACKAGED IN TRAYS.
- PCB NOTES:
- 7. ALL HOLE DIAMETERS ARE FINISHED HOLE SIZE.
 - 8. MOUNTING HOLES, WHERE APPLICABLE, ARE UNPLATED.
 - ⑨ $\varnothing 1.151 \pm 0.025$ DRILLED HOLES PLATED WITH
0.008 MIN SnPb OR Sn OVER .001 [0.03]
TO 0.08 Cu PLATING TO ACHIEVE
 $\varnothing 1.02 \pm 0.07$ HOLE.
 - ⑩ "DIM XXX" TO BE DETERMINED BY THE CUSTOMER.
 - ⑪ CONNECTOR KEEP-OUT ZONE.
12. FOR PRESS FIT APPLICATION USE FCI CAM TOOL 430169-XXX.



Copyright FCI.

| | | | | | | |
|-------------|----------------|------------|--|----------|------------------------|----------|
| dr | Shi Guang | 2012/05/23 | projection | | size | scale |
| eng | Ruan MT | 2013/02/27 | | | A4 | 1:1 |
| chr | - | - | | | ecn no | - |
| appr | Pei-Ming Zheng | 2013/02/27 | product family | PwrBlade | rel level | Released |
| | | | title 4P + 12S VERTICAL PRESS FIT HEADER | | dwg no 51952-212 | rev A |
| www.fci.com | | | cat. no. | | Product - Customer Drw | |

Print File - REV C - 2009-06-09