

Excellent Integrated System Limited

Stocking Distributor

Click to view price, real time Inventory, Delivery & Lifecycle Information:

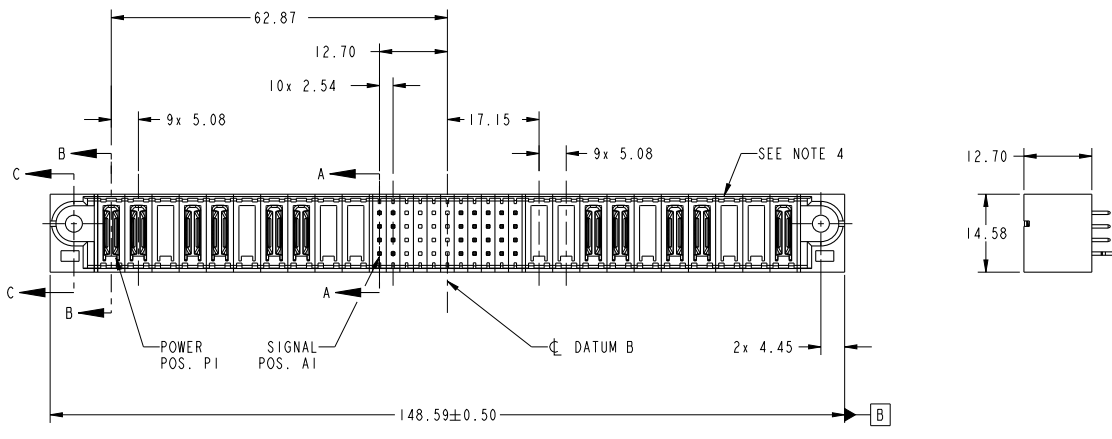
[FCI](#)

[51952-244LF](#)

For any questions, you can email us directly:

sales@integrated-circuit.com

PRODUCT NO.	ROWS	POWER										SIGNAL										POWER														
		E1	P1	P2	P3	P4	P5	P6	P7	P8	P9	P10	1	2	3	4	5	6	7	8	9	10	11	P11	P12	P13	P14	P15	P16	P17	P18	P19	P20	E2		
51952-244-- NOTE ③	D C B A	PA	PA	X	PA	PA	X	PA	PA	X	X	X	X	X	X	X	X	X	X	X	X	X	X	X	X	PA	PA	X	PA	PA	X	X	PA	PA	X	X



CODE	DIM "M" MATING LENGTH	CONTACT TYPE
PA	[N/A]	POWER
E	[6.86]	SIGNAL
H	[5.59]	SIGNAL
HA	[N/A]	HOLD-DOWN
X		OMITTED

spec ref	See Notes	dr	Jackie Huang	2013/05/31	projection	MM	size	A4	scale	1:1
tolerance std	TOLERANCES UNLESS OTHERWISE SPECIFIED	eng	De-Ming Lu	2014/07/29	product family	PwrBlade	ecn no	-	rel level	Released
See Notes		chr	-	-			cat. no.	&model_name	Product - Customer Drw	sheet 1 of 4
surface	linear	0.X	±0.50		10DCP+44S+10DCP		www.fci.com cat. no. &model_name Product - Customer Drw	dwg no 51952-244	rev A	
		0.XX	±0.25		VERTICAL STB HEADER					
	angular	0°	±2°							

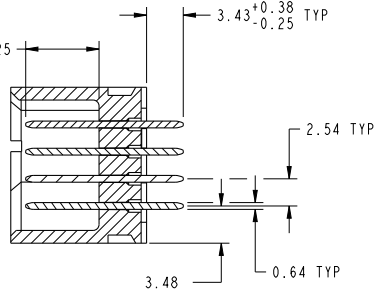
Copyright FCI.

Print File - REV C - 2009-08-09

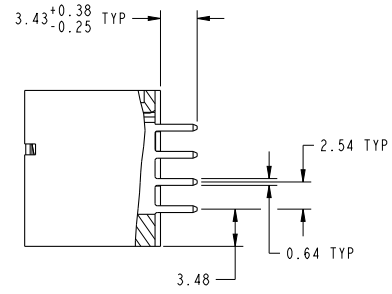
PRODUCT NUMBER

51952-244--
NOTE 3

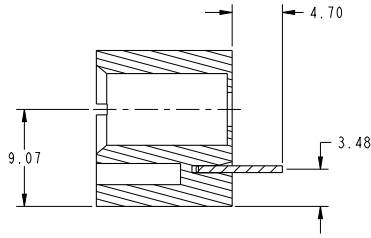
DIM "M" ±0.25



SECTION A-A
SCALE 2:1



SECTION B-B
SCALE 2:1



SECTION C-C
SCALE 2:1

dr	Jackie Huang	2013/05/31	projection	MM	size	A4	scale	1:1	
eng	De-Ming Lu	2014/07/29			ecn no	-	rel level		
chr	-	-			product family	PwrBlade	Released		
appr	Pei-Ming Zheng	2014/07/29				title	10DCP+44S+10DCP	dwg no	51952-244
www.fci.com						rev	A	cat. no. &model_name Product - Customer Drw sheet 2 of 4	

Print File : REV C - 2009-08-09

PDS: Rev :A

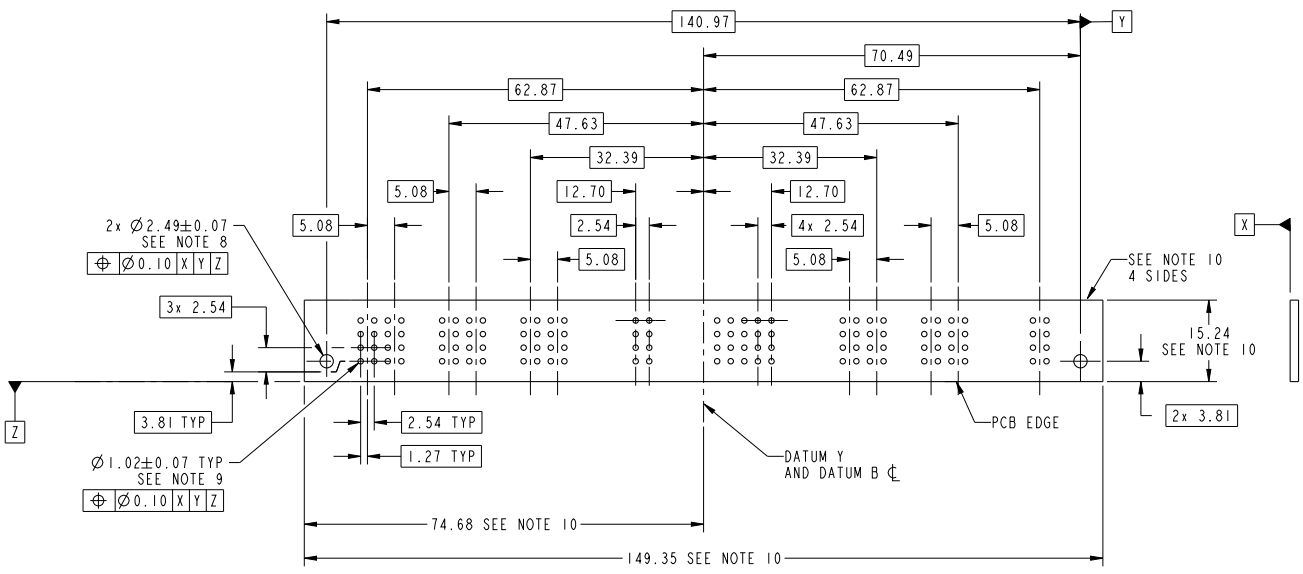
STATUS:Released

Printed: Jul 29, 2014



Copyright FCI.

PRODUCT NUMBER
51952-244--
NOTE 3



RECOMMENDED PCB LAYOUT

dr	Jackie Huang	2013/05/21	projection	MM	size	A4	scale	1:1			
eng	De-Ming Lu	2014/07/29			ecn no	-	rel level	Released			
chr	-	-			product family	PwrBlade					
appr	Pei-Ming Zheng	2014/07/29			10DCP+44S+10DCP VERTICAL STB HEADER		www.fci.com	cat. no. &model_name	Product - Customer Drw	dwg no 51952-244	rev A
								sheet 3 of 4			

Print File : REV C - 2009-08-09

PDS: Rev :A

STATUS:Released

Printed: Jul 29, 2014



Copyright FCI.

PRODUCT NUMBER

51952-244...
NOTE 3

NOTES:

1. DIMENSIONS AND TOLERANCES ARE IN ACCORDANCE WITH ASME Y14.5M, 1994 UNLESS OTHERWISE SPECIFIED.

CONNECTOR NOTES:

- ② HOUSING MATERIAL: UL 94 V-0 GLASS FILLED HIGH-TEMP THERMOPLASTIC
POWER CONTACT MATERIAL: COPPER ALLOY
SIGNAL PIN MATERIAL: COPPER ALLOY
 - 3. SEE ITEM 1 & 2 IN PRINT 10064183 FOR PLATING SPEC OF 51952-244 AND 51952-244LF RESPECTIVELY.
 - ④ MANUFACTURER'S NAME, DATE CODE AND OPTIONAL P/N TO APPEAR ON THIS SURFACE. THE MARK CAN BE OMITTED IF THERE IS NOT ENOUGH SPACE ON THIS SURFACE.
 - 5. PRODUCT SPECIFICATION GS-12-149.
APPLICATION SPECIFICATION BUS-20-067.
 - 6. PACKAGED IN TRAYS.
- PCB NOTES:**
- 7. ALL HOLE DIAMETERS ARE FINISHED HOLE SIZE.
 - 8. MOUNTING HOLES, WHERE APPLICABLE, ARE UNPLATED.
 - ⑨ $\varnothing 1.151 \pm 0.025$ DRILLED HOLES PLATED WITH 0.008 MIN SnPb OR Sn OVER .001 [0.03] TO 0.08 Cu PLATING TO ACHIEVE $\varnothing 1.02 \pm 0.07$ HOLE.
 - ⑩ CONNECTOR KEEP-OUT ZONE.

dr	Jackie Huang	2013/05/31	projection		MM	size	A4	scale	1:1	
eng	De-Ming Lu	2014/07/29	chr			-	ecn no	-		
appr	Pei-Ming Zheng	2014/07/29	product family	PwrBlade		rel level	Released			
			title	10DCP+44S+10DCP VERTICAL STB HEADER		dwg no	51952-244		rev	A
www.fci.com			cat. no.	&model_name	Product - Customer Drw		sheet 4 of 4			

Print File - REV C - 2009-06-09



Copyright FCI.